

# PARTS LIST

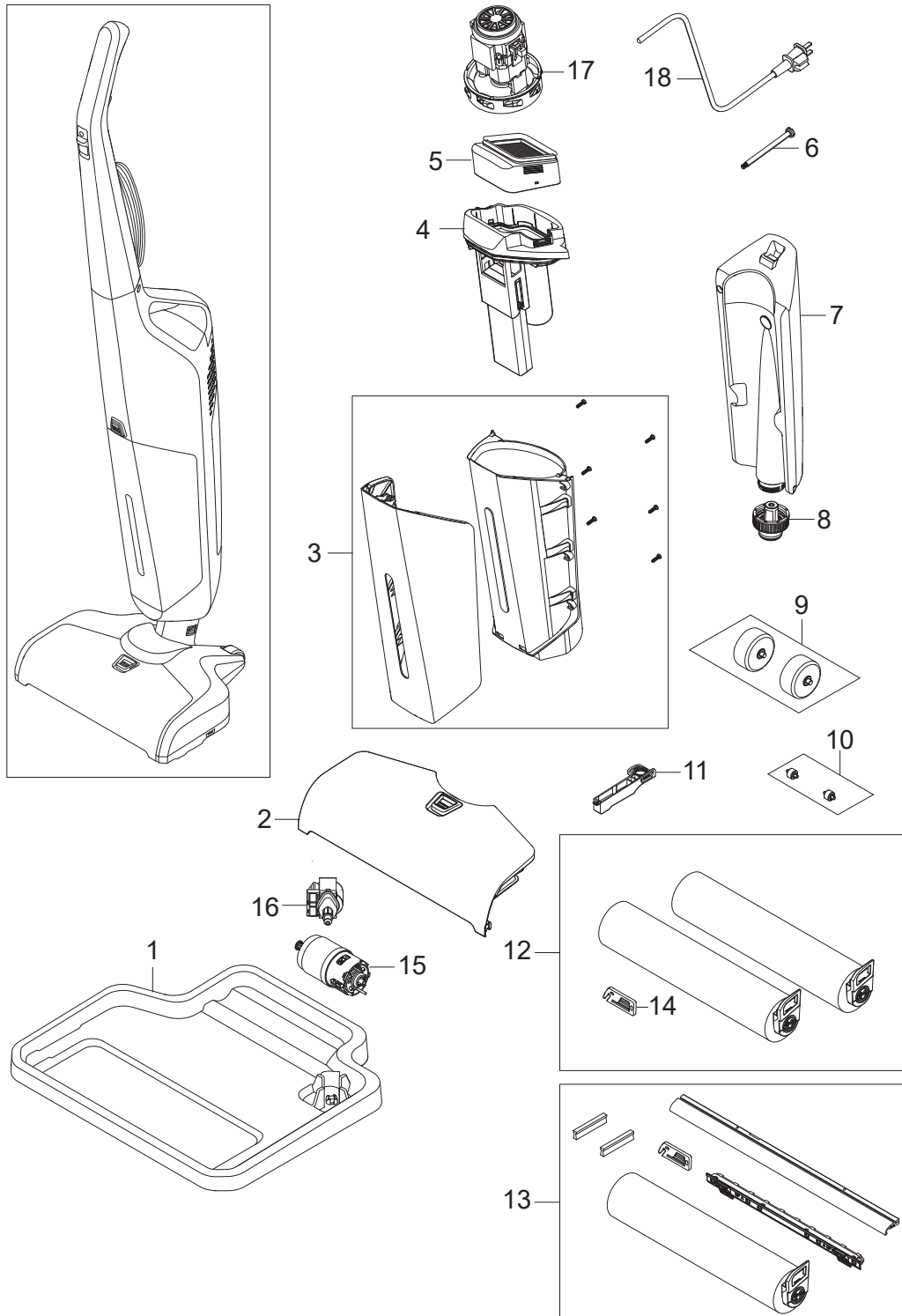


2020.11.04

# TABLE OF CONTENTS

---

Overview .....1



| Pos. | Vare-nr   | Antal | Beskrivelse                        | Notes |
|------|-----------|-------|------------------------------------|-------|
| 1    | 128389320 | 1     | Bakke                              |       |
| 2    | 128389331 | 1     | Børstedæksel                       |       |
| 3    | 128389374 | 1     | DW TANK WITH DECORATIVE LID KIT    |       |
| 4    | 128389323 | 1     | Flyder                             |       |
| 5    | 128389324 | 1     | FILTER                             |       |
| 6    | 128389325 | 1     | Skrue                              |       |
| 7    | 128389326 | 1     | Vandtank for rent vand             |       |
| 8    | 128389327 | 1     | Skruelåg for vandtank              |       |
| 9    | 128389328 | 1     | Store hjul ( 2 stk.)               |       |
| 10   | 128389329 | 1     | Små hjul ( 2 stk.)                 |       |
| 11   | 128389330 | 2     | Udløser                            |       |
| 12   | 128351582 | 1     | THE COMBI WASHER ACCESSORY KIT - 3 |       |
| 13   | 128351581 | 1     | THE COMBI WASHER ACCESSORY KIT - 6 |       |
| 14   | 128389372 | 1     | KNIFE                              |       |
| 15   | 128389337 | 1     | BRUSH MOTOR FOR COMBI              |       |
| 16   | 128389336 | 1     | PUMP FOR COMBI                     |       |
| 17   | 128389335 | 1     | MAIN MOTOR FOR COMBI               |       |
| 18   | 128389334 | 1     | POWER CORD EU FOR COMBI            |       |
| 18   | 128389338 | 1     | POWER CORD UK FOR COMBI            |       |
| NS   | 128389339 | 1     | COMBI BOX LABEL FOR EU             |       |
| NS   | 128389340 | 1     | COMBI BOX LABEL FOR UK             |       |
| NS   | 128389341 | 1     | COMBI BOX LABEL FOR EU PLUS        |       |
| NS   | 128389342 | 1     | 4C BOX FOR COMBI                   |       |

