

# PARTS LIST

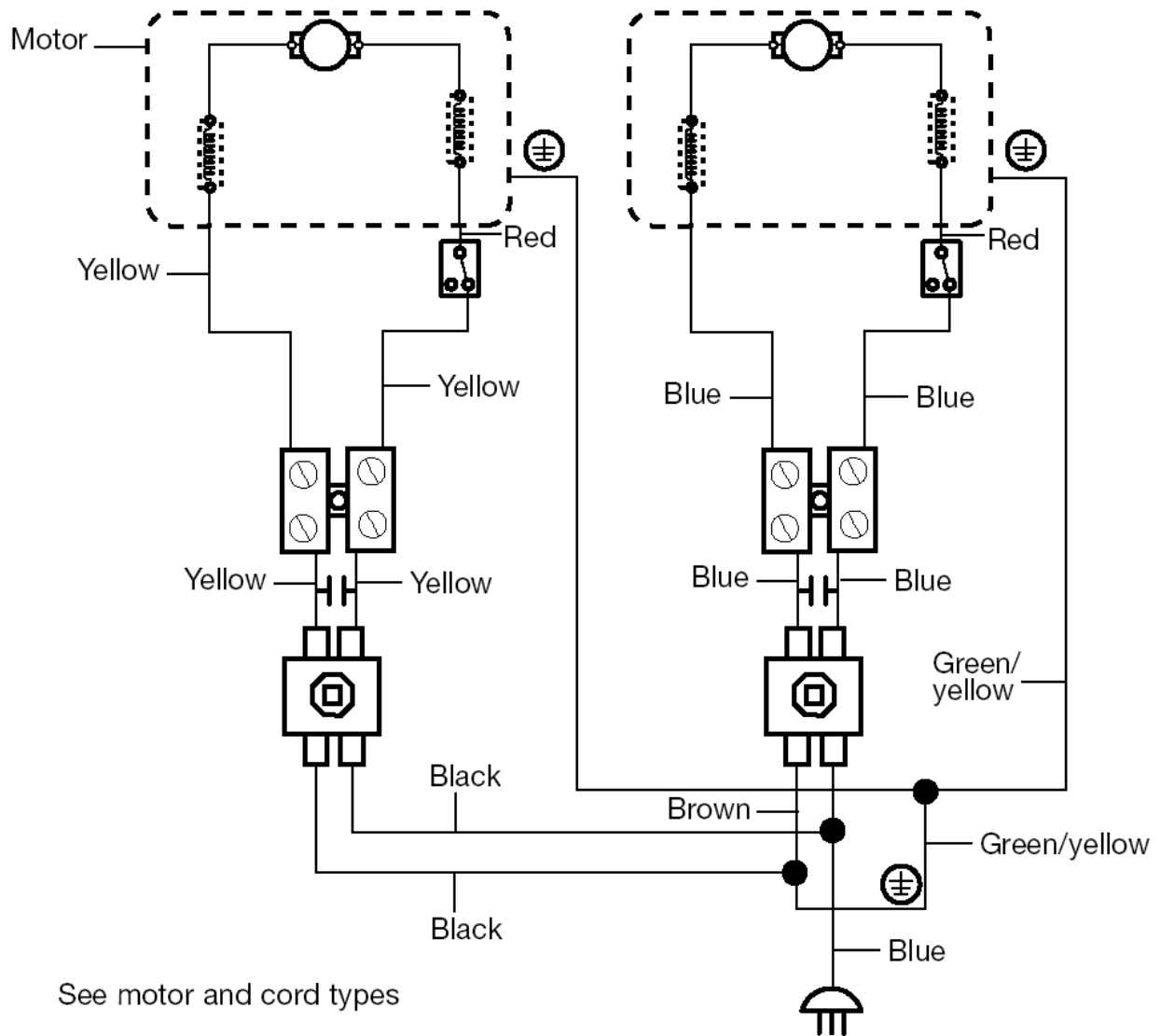


2020.01.14

# TABLE OF CONTENTS

---

Electrical diagram 2050 series .....	1
Trolley, seperator unit and waste container 1 .....	3
Trolley, seperator unit and waste container 2 .....	5
Trolley, seperator unit and waste container 3 .....	7
Trolley, seperator unit and waste container 4 .....	9
LET INDUSTRIRENSESÆT .....	11
MOTORHOVEDER, 2050-SERIEN .....	13
Antistatic cleaning kits .....	15
RENGØRINGSSÆT TIL TØR .....	17
RENGØRINGSSÆT TIL OVER HOVEDET RENØRING .....	19
Accessory kit IW 2050 .....	21
MUNDSTYKKER MED SERVICESÆT .....	23
SPECIELLE MUNDSTYKKER .....	25
RØR, LIGE OG BØJEDE .....	27
Hoses .....	29
Pre-seperator accessories 1 .....	31
Pre-seperator accessories 2 .....	33
LEDNINGER TIL 2050-SERIEN .....	35
Motor fan unit, on/off switch .....	37
FILTRE OG FLYDER, SERVICESÆT TIL 2050-SERIEN .....	39
Nozzles 50 mm .....	41
Nozzles 38 mm .....	47
OVERSIGT OVER INDSUGNING/KOBLING/VS. MODEL .....	52
For custom hose length 100-70-50 mm .....	54
Hose connection diagram 50 mm .....	56
Nozzles 50 mm .....	59
Hose connection diagram steel/brass bayonet 38 mm .....	62
Nozzles 38 mm .....	65



See motor and cord types

Internal wires 0,82 mm<sup>2</sup>

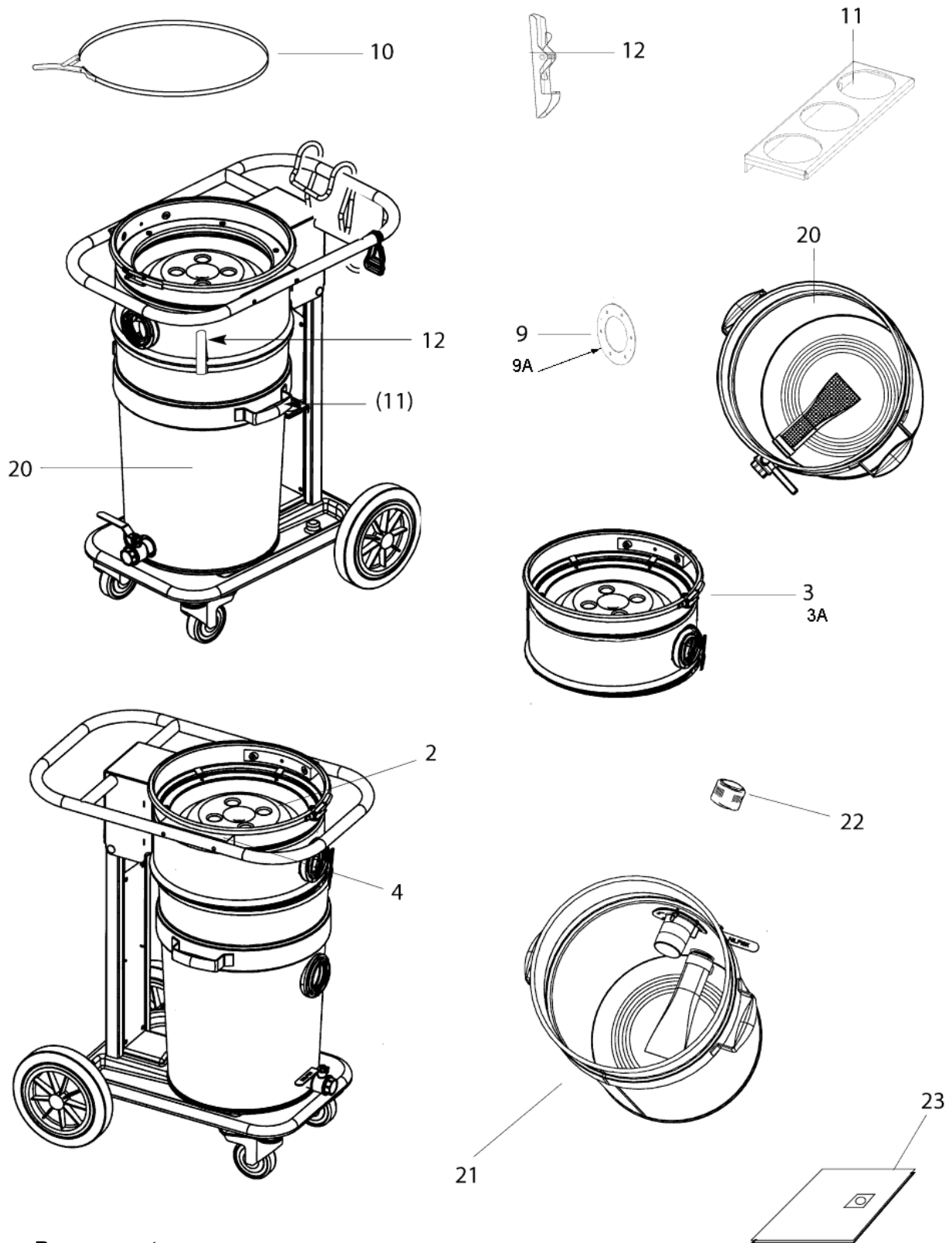
Cord 3 x 1,5 mm<sup>2</sup>

**Symbol explanation**

Armature	Field coil	Terminal block	Cord grounded	Double pole switch	Capacitor	Thermo switch

---

Pos.	Vare-nr	Antal	Beskrivelse	Notes
------	---------	-------	-------------	-------

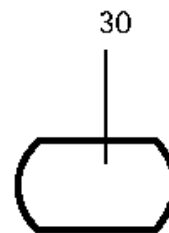
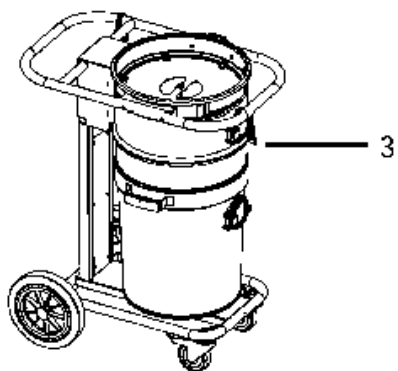
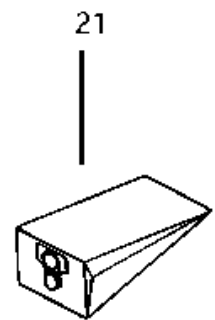
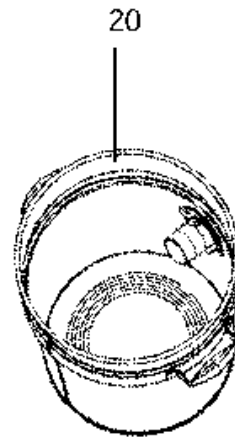
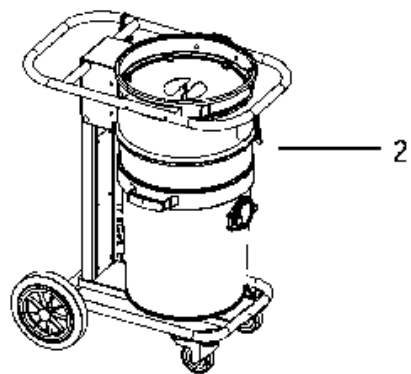
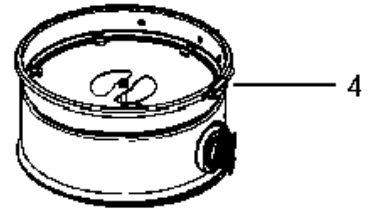
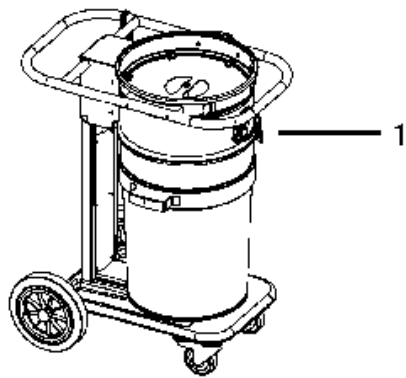


Resource notes:

Pos.	Vare-nr	Antal	Beskrivelse	Notes
01	17870001	1	IW 2050 U.TMMEVENTIL	[1]
01	17870002	1	IW 2050 W/VALVE	[1]
02	18190004	1	IW 2050 WET BAG CHASSIS	[1]
03	22367200	1	KIT IW+WETBAG SEPERATOR IW 2050	[2]
04	40000707	1	KIT RUBE BR ADAPTOR FO HANDLE IW2050	[3]
09	21582901	1	Indsugning 50Mm, Kit Gm/Gs82	[4]
09A	81582601	1	INLET 50MM F.DUSTBAG	[5]
10	82163300	1	CLAMPING HOOP	[6]
11	82167100	1	ACCESSORY FIXTURE	[3]
12	32219600	1	Kitsæt For Lukker Iw2050	[7]
20	82165301	1	WASTE CONTAINER 2050 SERIES	
20	22196000	1	Beholder M. Tømmevetil F.Iw2050	
21	22316400	1	WASTE CONTAINER WET BAG IW2050	[3]
22	L00191405	1	BAYONET PLUG 50MM	[8]
23	82316300	1	Støvpose, Våd Iw2050	[3]

## Part Notes:

- [1] - WSS100/WST100 series
- [2] - CONTACT PM IN ZOCCA
- [3] - NO MORE AVAILABLE
- [4] - WITH GASKET
- [5] - WITHOUT GASKET
- [6] - STOCK COVERS GUARANTEE PERIOD
- [7] - MACHINE OBSOLETE
- [8] - Machine outphased 2007



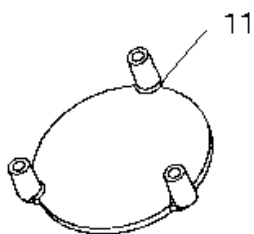
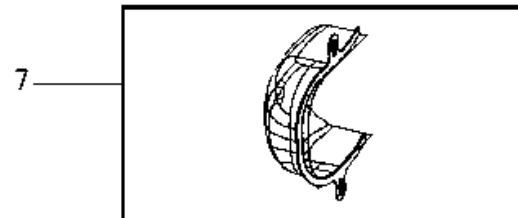
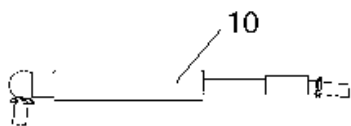
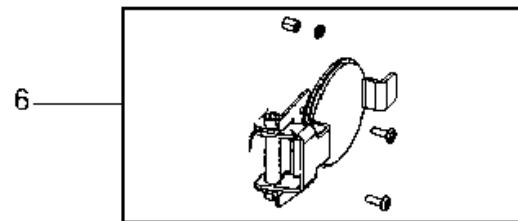
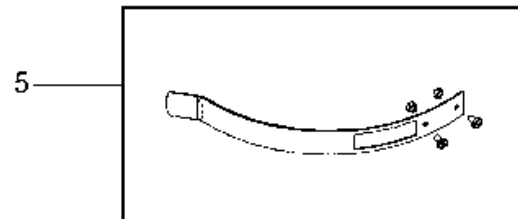
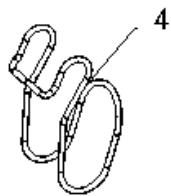
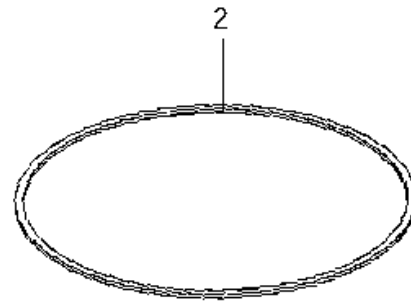
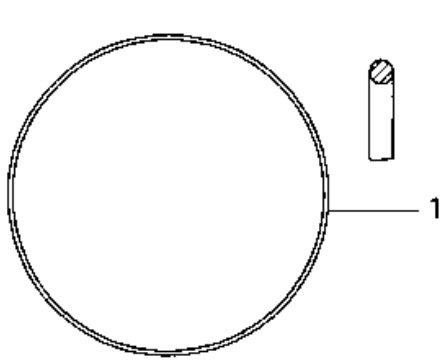
Resource notes:

Pos.	Vare-nr	Antal	Beskrivelse	Notes
01	18190001	1	ID 2050 CHASSIS CYCLONE	[1]
02	18190002	1	ID 2050 CHASSIS DUSTBAG	[1]
03	18190003	1	ID 2050 FLEX CHASSIS L	[1]
04	22367300	1	KIT FLEX SEPERATOR FOR ID 2050	[2]
20	22313800	1	WASTE CONTAINER W.INLET ID 2050	[3]
21	81584000	1	Støvsugerposer papir (5 stk.)	
30	82311000	1	SPRING FOR HOSE FLAP	[2]

## Part Notes:

- [1] - 127/137/SOL2000 series
- [2] - NO MORE AVAILABLE
- [3] - CONTACT PM IN ZOCCA



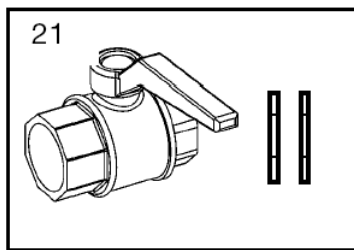
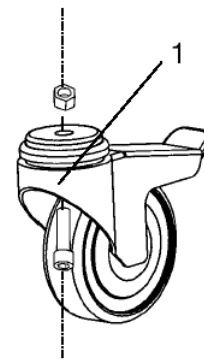
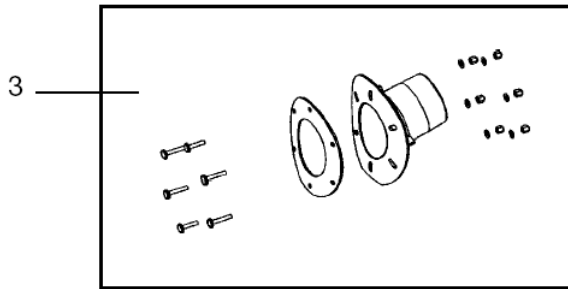
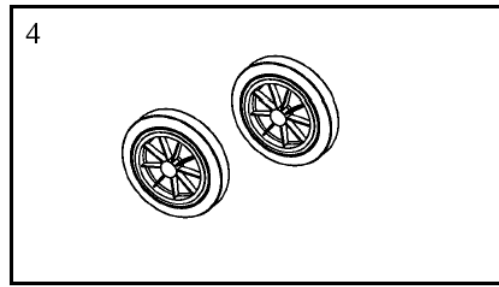
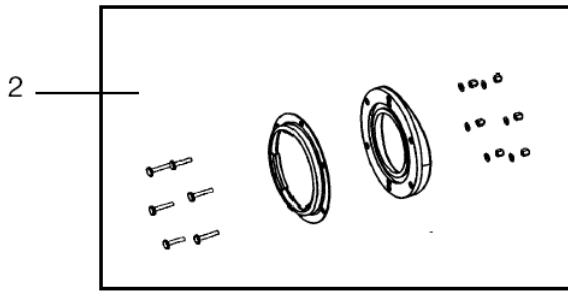


Resource notes:

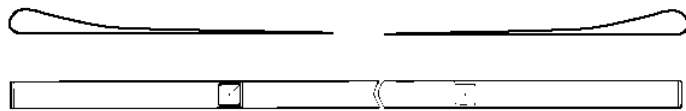
Pos.	Vare-nr	Antal	Beskrivelse	Notes
01	82163200	1	Motor Unit Pakn.F.lw2050 F.lw2050	
02	22161800	1	Beholder Pakning	
03	82195800	1	CORD REALEASE FOR HANDLE	[1]
04	82219800	1	BRACKET FOR CORD RELEASE	
05	22313600	1	REGENERATION FLAP ID 2050	[1]
06	22313700	1	INLET FLAP 50MM	[2]
07	71712801	1	Hvirveltud Ø50	
10	82166000	1	Gasfjeder F.lw2050	
11	82162700	1	NON-RETURN VALVE IX 2000	

## Part Notes:

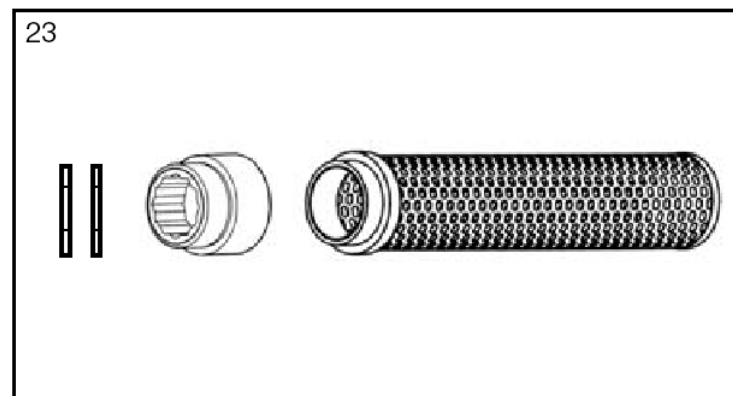
- [1] - NO MORE AVAILABLE
- [2] - PRUNED - NO REPLACEMENT



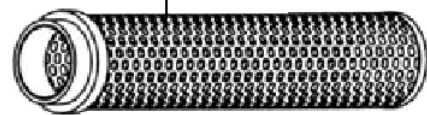
10



22



24

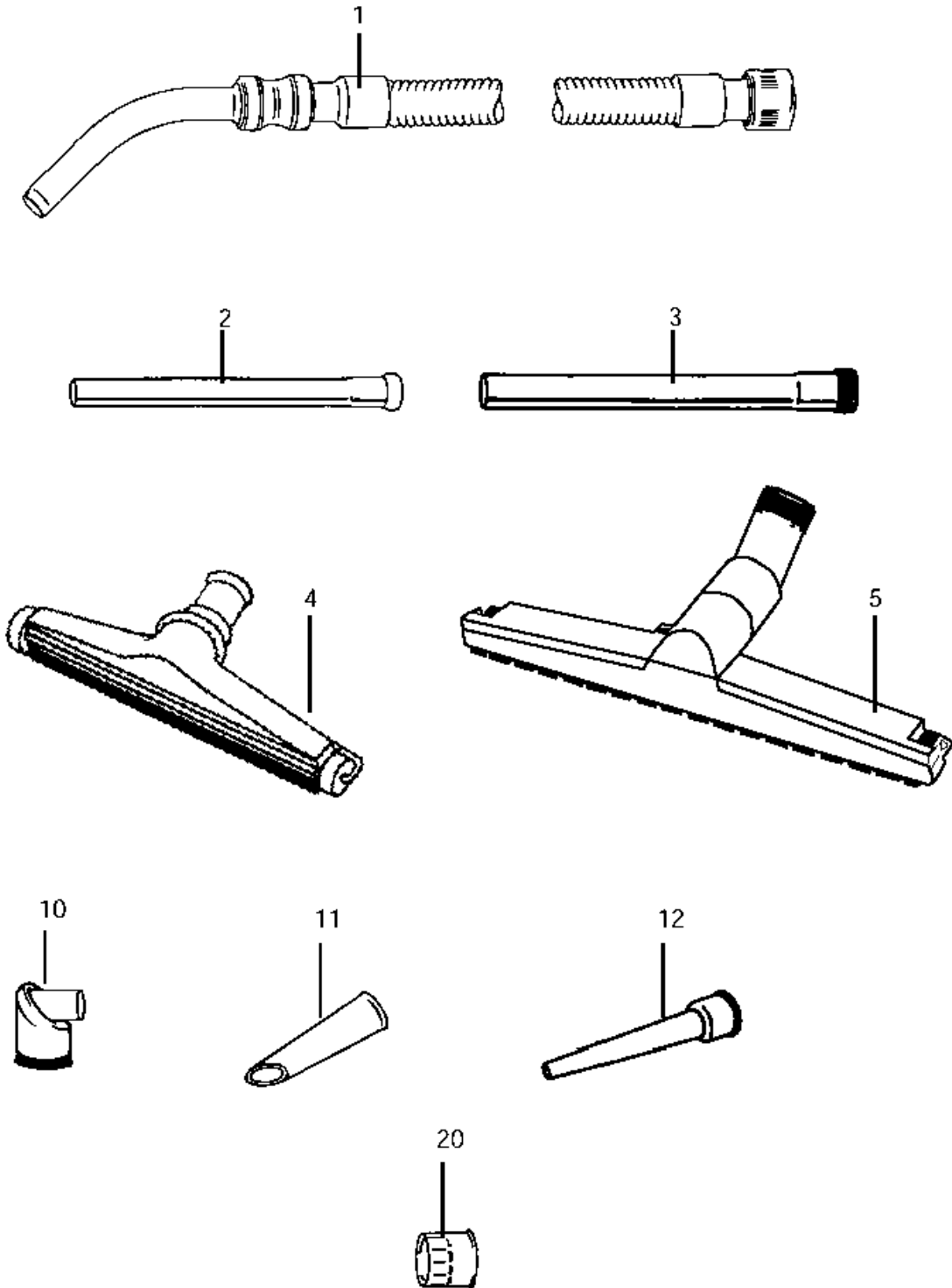


Resource notes:

Pos.	Vare-nr	Antal	Beskrivelse	Notes
01	22166800	1	Drejehjul Kompl.F.Iw2050	
02	32211201	1	Underlag, Bajonet 50Mm	
03	21582901	1	Indsugning 50Mm, Kit Gm/Gs82	
04	22356000	1	Hjul Kitsæt For Iw 2050	
10	22165700	1	STRAP FOR CRANE/FORKLIFT	[1]
21	22165600	1	EMPTYING VALVE IW 2050	
22	22164500	1	Pakning til ventil, kit	
23	22229600	1	Conversion Kit Iw1040	
24	22230000	1	Sieve Kit Iw 1040/2050	

## Part Notes:

[1] - GUARANTEE DATE EXPIRED



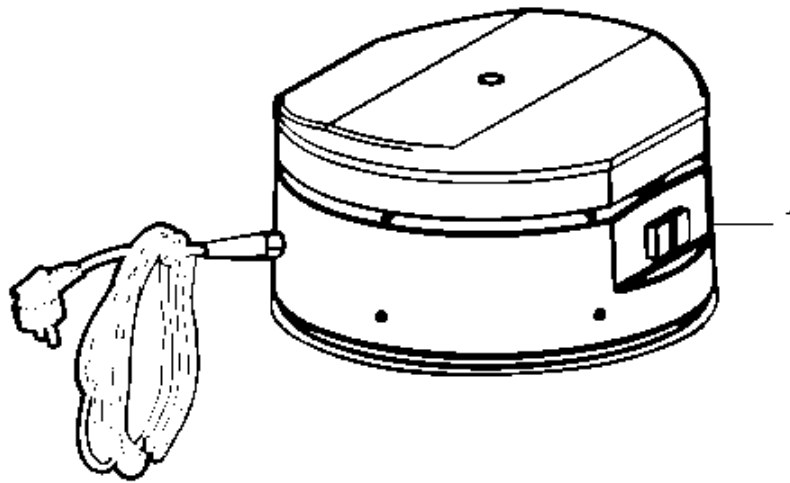
Resource notes:


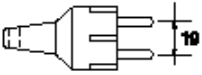





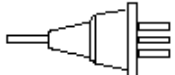

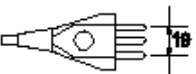



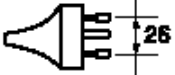
---

Pos.	Vare-nr	Antal	Beskrivelse	Notes
00	22318400	1	38MM LIGHT INDUSTRY KIT	[1]
00	22318300	1	50MM LIGHT INDUSTRY KIT	[1]

## Part Notes:

[1] - Nilfisk-CFM Acc. Program



Plugs for grounded models			
	Rating	Plug type	
EU Grounded	250		
DK Grounded	250		
UK Grounded	250		
AUS/NZ Grounded	250		
CH Grounded	250		
USA/CAN/Japan Grounded	120		
Italy Institutional Grounded	250		

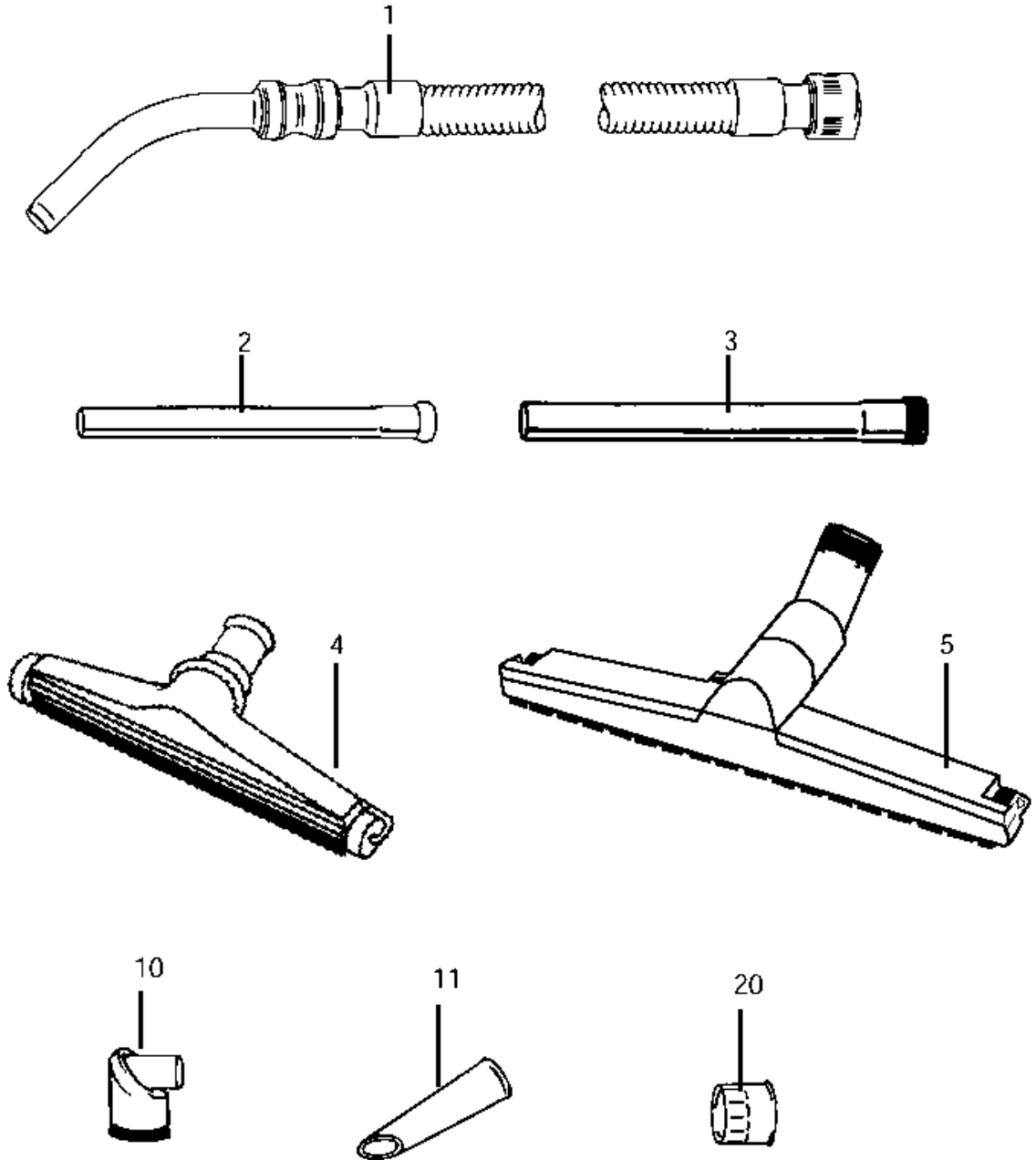
Resource notes:

Pos.	Vare-nr	Antal	Beskrivelse	Notes
01	17880005	1	IX 2000-MOTOR UNIT I	[1]
01	17880007	1	IX 2000-MOTOR UNIT	[1]
01	17880001	1	Ix 2000	[2]
01	17880008	1	IX 2000-MOTOR UNIT DK	[1]
01	17880003	1	IX 2000-MOTORUNIT UK 110V	[1]
01	17880002	1	IX 2000-MOTOR UNIT UK	[1]
01	17880009	1	IX 2000-MOTORUNIT JAPAN100V	
01	17880006	1	IX 2000-MOTOR UNIT AUS/NZ	[1]
01	17880004	1	IX 2000-MOTOR UNIT CH	[1]

## Part Notes:

- [1] - WSS/WST/127/137/SOL2000
- [2] - NO MORE AVAILABLE



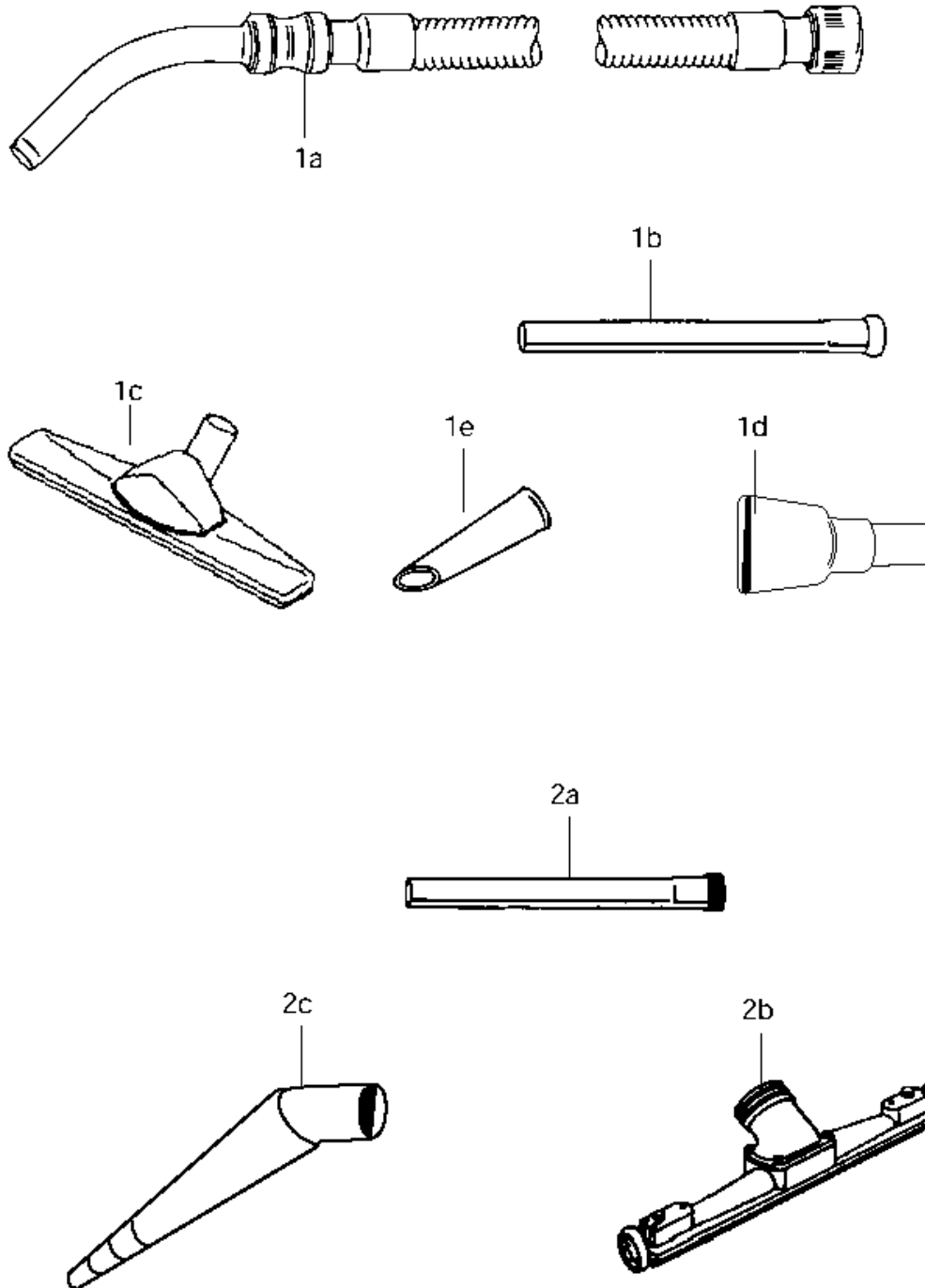


Resource notes:

Pos.	Vare-nr	Antal	Beskrivelse	Notes
00	22318600	1	38MM ANTISTAT INDUSTRY KIT	[1]
01	12248200	1	HOSE 50/3M CON. COMPLETE	[1]
01	12247200	1	HOSE 38/3M CON. COMPLETE	[1]
02	11027200	2	Rør, Krom 38 Mm	
03	10686400	1	Stålrør 50Mm X 1M Stål	
04	10947300	1	GULVMUNDSTYKKE	[2]
05	82226700	1	Mundstykke, Gulv 50Mm Våd 500Mm Bred	
10	12422500	1	Rundbørste naturhår 70 mm Ø38	
10	4072200570	1	Rundbørste sort NBR 70 mm Ø50	
11	L02956200	1	Mundstykke,Skrå 38Mm	
20	10960900	1	Reduktionsfatning 50/38	
20	22318500	1	50MM ANTISTAT INDUSTRY KIT	[1]

## Part Notes:

- [1] - Nilfisk-CFM Acc. Program  
 [2] - CLOSED BY VENDOR



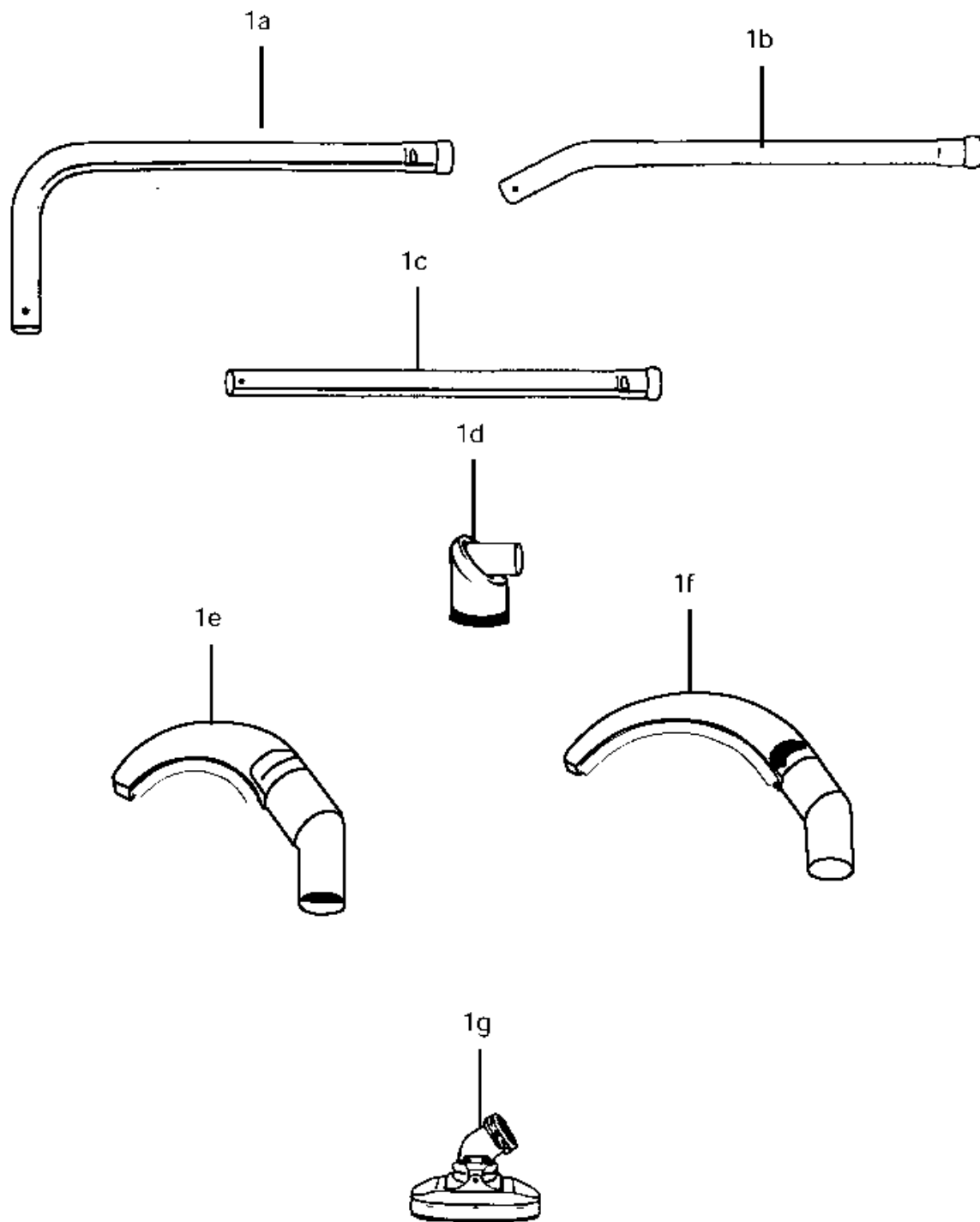
Resource notes:

---

Pos.	Vare-nr	Antal	Beskrivelse	Notes
01	82241600	1	50/38 MM FLOOR/MACH. KIT	[1]
02	82241800	1	Gulv- & Maskinkit 50Mm Tør Heavy Use	[1]

## Part Notes:

[1] - Nilfisk-CFM Acc. Program

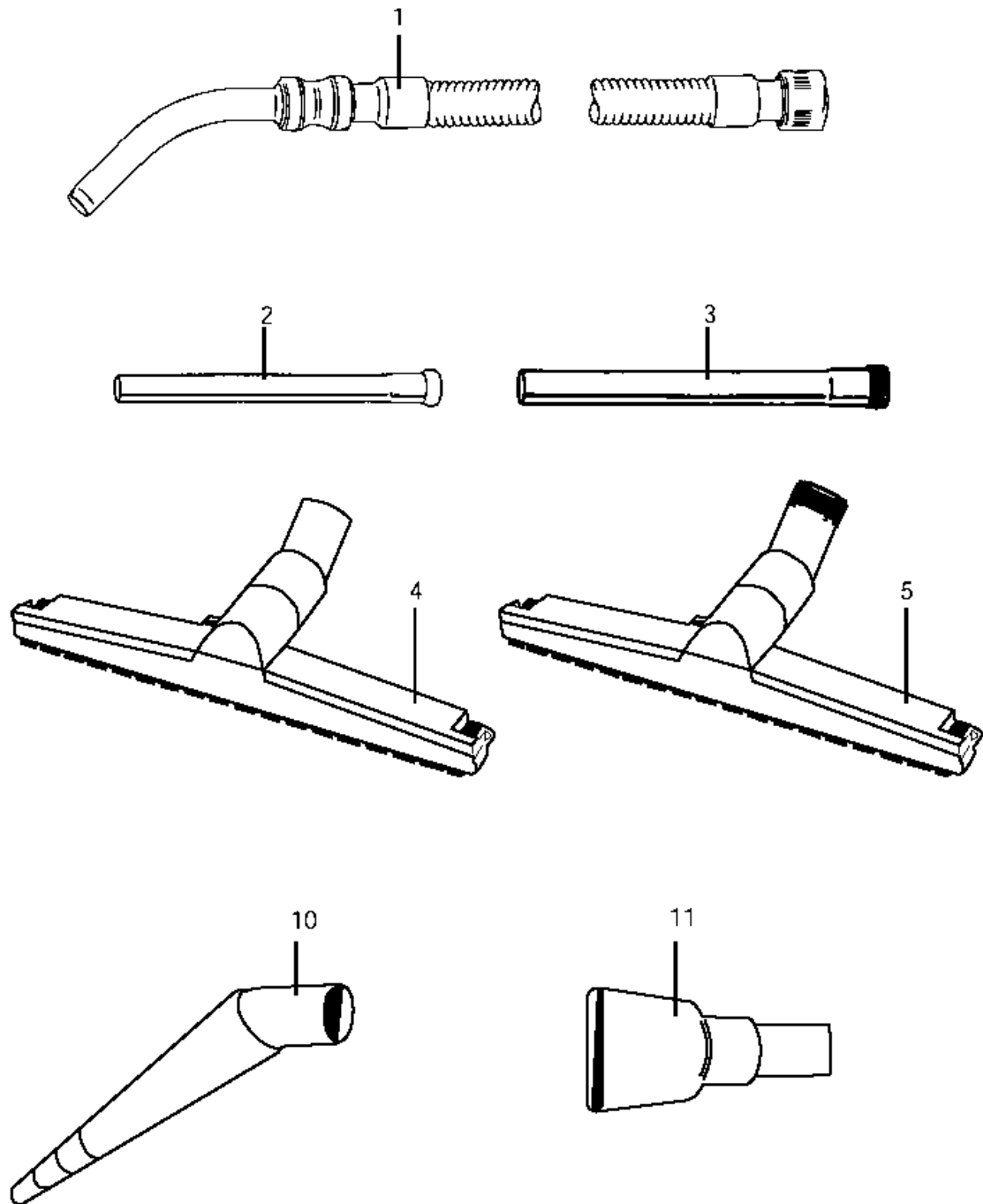


Resource notes:

Pos.	Vare-nr	Antal	Beskrivelse	Notes
00	82242000	1	38MM OVERHEAD KIT	[1]
01A	10967000	1	Rør, Vinkel Alu. 82Cm	[2]
01B	11297400	1	Rør	[2]
01C	10961200	3	Rør 1M Aluminium	
01D	4072200579	1	Rundbørste blå NBR 70 mm Ø38	
01E	82191000	1	Rørmundst.38/100Mm	[2]
01F	82191200	1	Mundstykke, Rør 38/200Mm	[2]
01G	11346900	1	FLOOR NOZZ. 38MM 220MM WOOD	[3]

## Part Notes:

- [1] - CONTACT PRODUCT MANAGEMENT
- [2] - CONTACT PM IN ZOCCA
- [3] - 22431600,TSB 2003-001



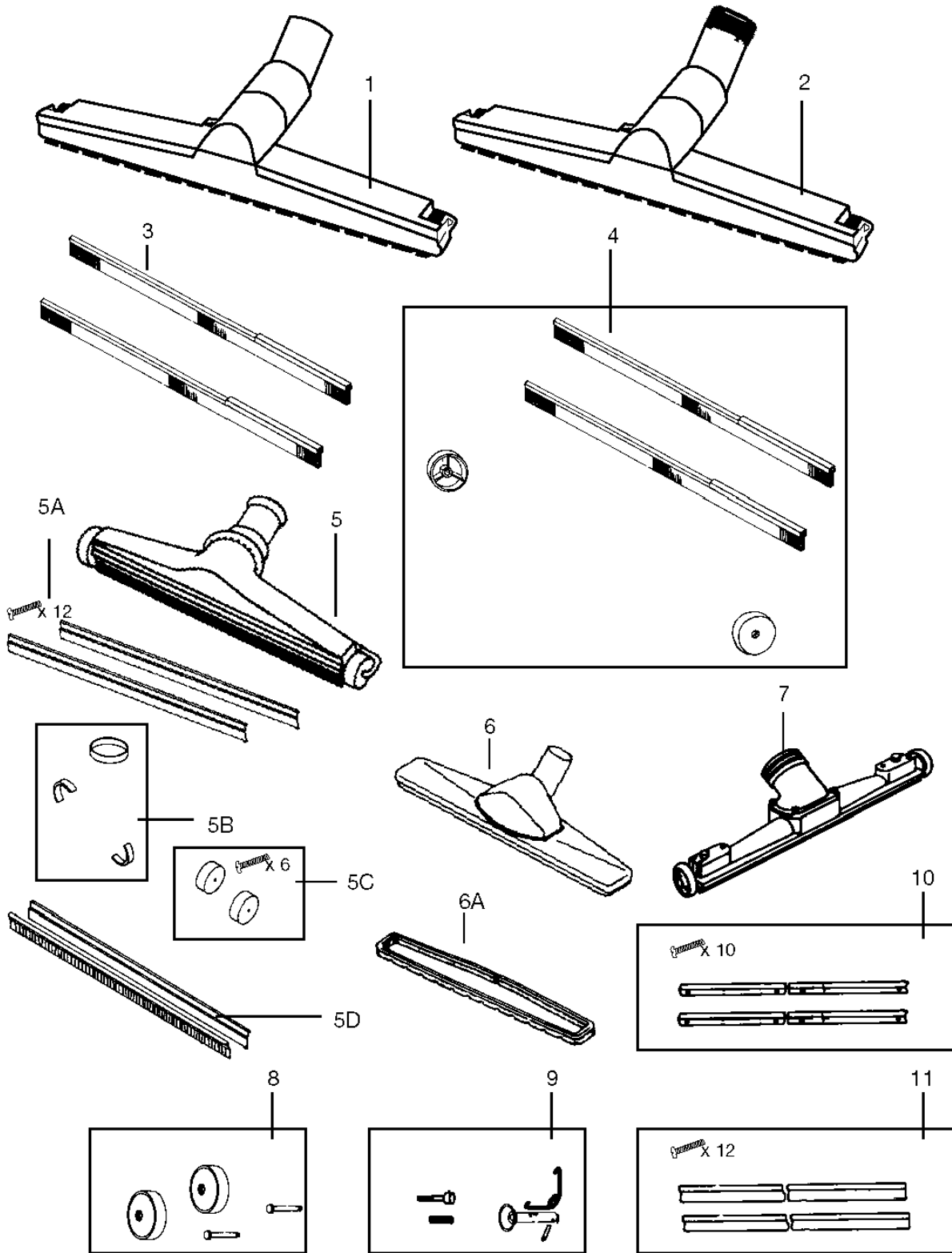
Resource notes:

Pos.	Vare-nr	Antal	Beskrivelse	Notes
00	22169100	1	FLOOR CLEANING KIT Ø38	[1]
00	22168900	1	MACHINE CLEANING KIT Ø38	[1]
00	22169000	1	FLOOR CLEANING KIT Ø50	[1]
00	22168800	1	MACHINE CLEANING KIT Ø50	[2]

## Part Notes:

- [1] - Nilfisk-CFM Acc. Program
- [2] - Can be replaced by Z7 22382 and Z7 24156



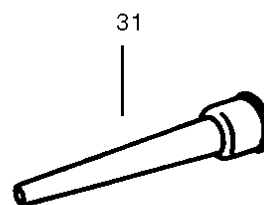
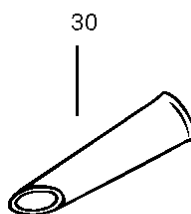
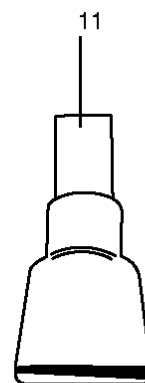
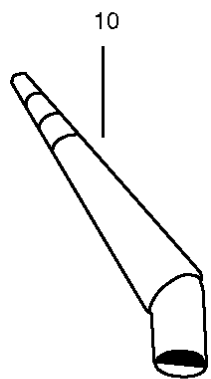
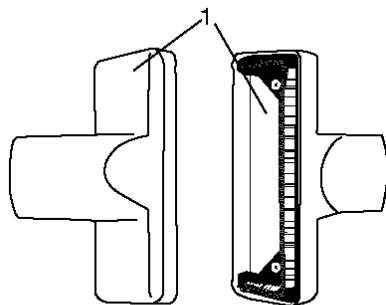


Resource notes:

Pos.	Vare-nr	Antal	Beskrivelse	Notes
01	82168000	1	Mundstykke, Gulv 38Mm Våd	
02	82226700	1	Mundstykke, Gulv 50Mm Våd 500Mm Bred	
03	22184401	1	RUBBER BLADES F NOZZLE OIL RESISTANT 38MM	
03	22167800	1	Gummilæber + Hjul Iw2050 F.Iw2050	
04	22167000	1	Gummilæbe & Hjul F.Iw2050 Olieres.Ø38Mm	
04	22167800	1	Gummilæber + Hjul Iw2050 F.Iw2050	
05	10947300	1	GULVMUNDSTYKKE	[1]
05A	22383100	1	Gummilæbe Kit (2 Stk)	[2]
05B	22383000	1	Kit, Låseringe F. Mundstk	[2]
05C	22382900	1	Hjulsæt F. Mundstyk	
05D	22295200	1	BRUSH+LIPS 400MM KIT	[3]
06	11476101	1	Mundstykke, Børster 38Mm	
06A	81477500	1	BRISTLE FOR FLOOR BRUSH	[4]
07	82226700	1	Mundstykke, Gulv 50Mm Våd 500Mm Bred	
08	22385300	1	Kit Hjul F. Mundstyk	
09	22385400	1	HEIGHT ADJUSTMENT KIT FOR NOZZ	[5]
10	22387200	1	Vinkelliste Kit	
11	22387300	1	Kit, Læber Til Mundstykke	
NI	22385000	1	BAYONET INLET COUPLING 38	

## Part Notes:

- [1] - CLOSED BY VENDOR
- [2] - NO MORE AVAILABLE
- [3] - NEW NOZZLE 140 3816 020
- [4] - Old IVAC production products
- [5] - CLOSED WHEN STOCK EMPTY

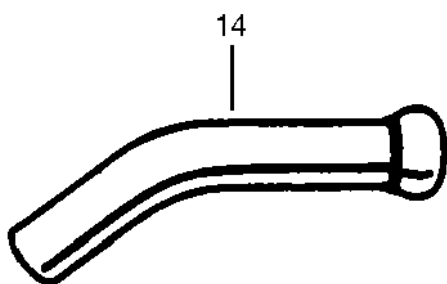
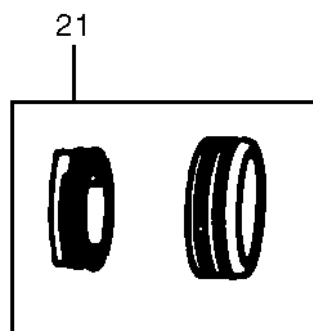
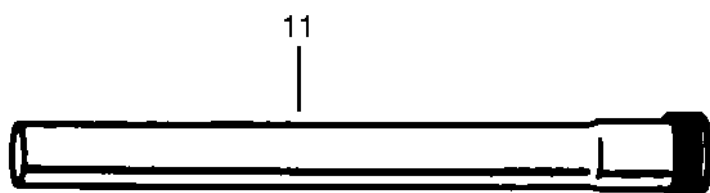
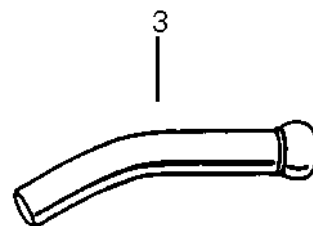
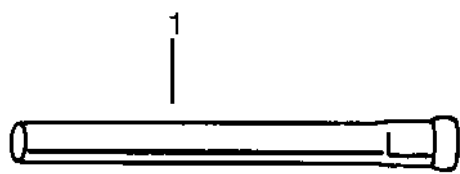


Resource notes:

Pos.	Vare-nr	Antal	Beskrivelse	Notes
01	L02122400	1	Alu. Mundstykke	[1]
10	82167400	1	Mundstykke konisk gummi olieresis. Ø50	
10	82167900	1	Mundstykke, Konisk 38Mm Gummi Olieresist	
11	82167300	1	Mundstykke PVC 25x90mm olieresistent Ø50	
11	L02122200	1	Mundstykke Ø50 mm	[1]
11	82169700	1	Mundst. 38Mm Gummi Olier.	
20	12422500	1	Rundbørste naturhår 70 mm Ø38	
20	4072200579	1	Rundbørste blå NBR 70 mm Ø38	
20	4072200577	1	Rundbørste rød NBR 70 mm Ø38	
20	4072200578	1	Rundbørste grøn NBR 70 mm Ø38	
20	4072200570	1	Rundbørste sort NBR 70 mm Ø50	
21	4072400265	1	Rundbørste krans rød 70 mm	
21	4072400267	1	Rundbørste krans blå 70 mm	
21	4072400266	1	Rundbørste ring grøn 70 mm	
21	4072400264	1	Rundbørste krans sort 70 mm	
21	22424900	1	BRUSH RING NATURAL BRISTLES 70	
30	80956200	1	Rør, Skrå 38Mm L200Mm	
31	L02650900	1	Mundstykke, Sort Gum. 50Mm	

## Part Notes:

[1] - CONTACT PM IN ZOCCA

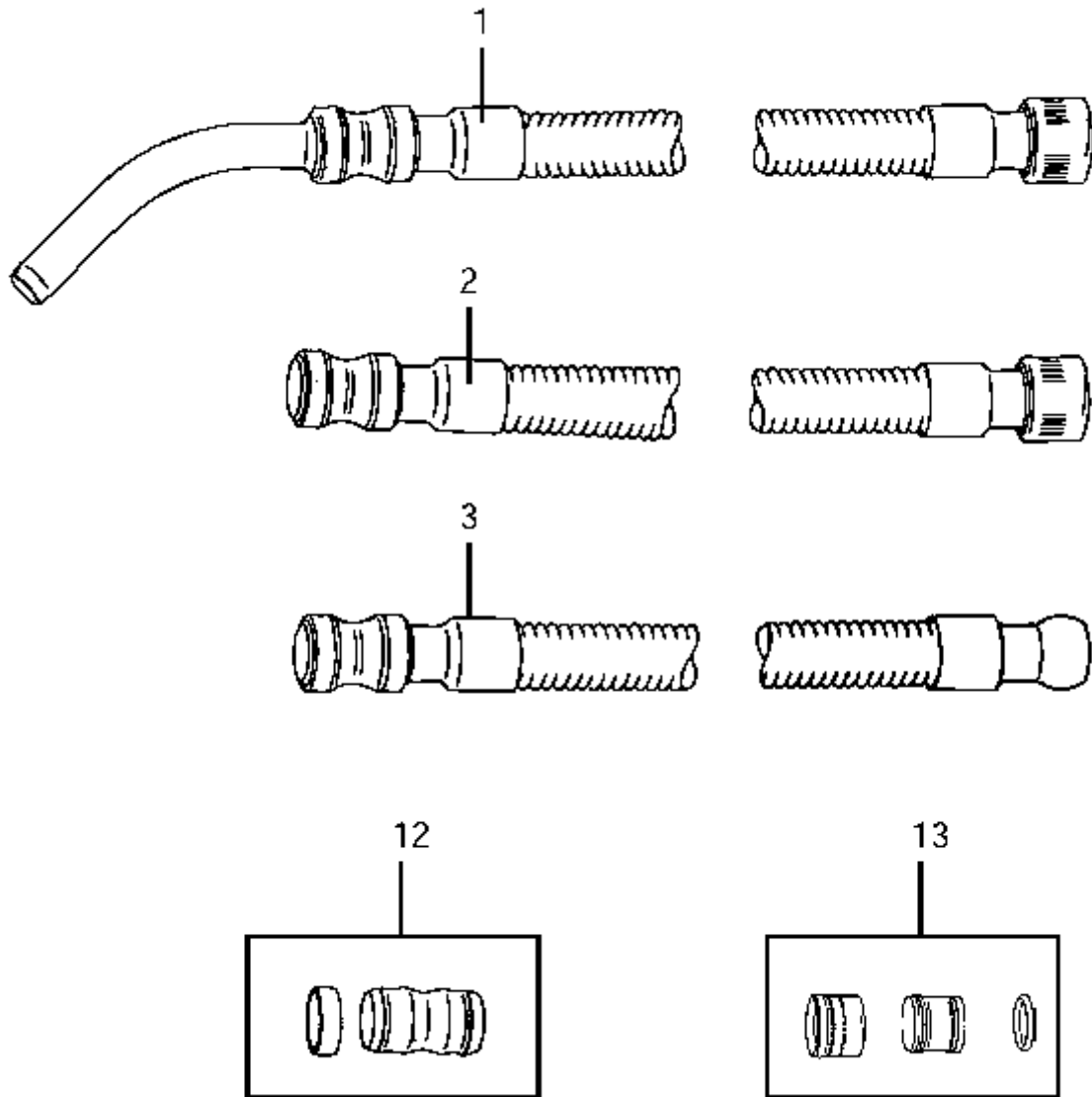


Resource notes:

Pos.	Vare-nr	Antal	Beskrivelse	Notes
01	11916000	1	Rør, 38Mm Stål	
01	11027200	1	Rør, Krom 38 Mm	
02	81192300	1	Ring	[1]
03	71917000	1	Buet Rør Rustfri 38Mm Gv920/940	
11	10686400	1	Stålrør 50Mm X 1M Stål	
14	10624400	1	Buet Rør 50Mm	
20	10960900	1	Reduktionsfatning 50/38	
21	22383700	1	Omløber Og Gevinding Kit	

## Part Notes:

[1] - STOCK COVERS GUARANTEE



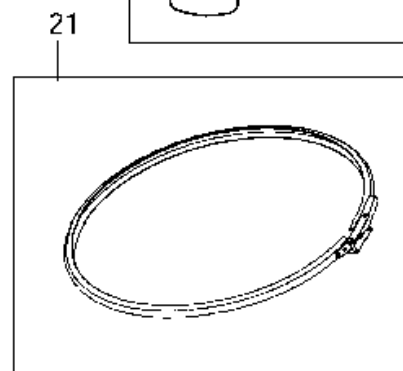
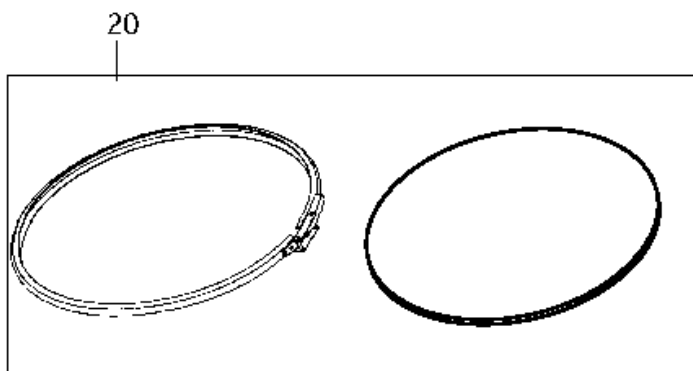
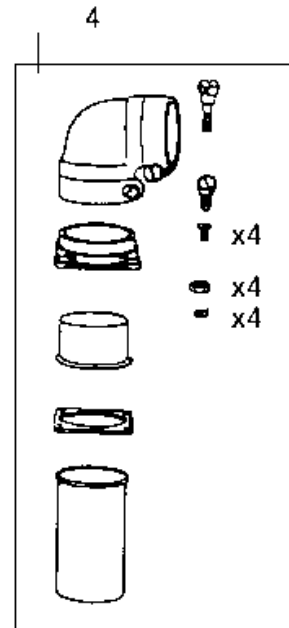
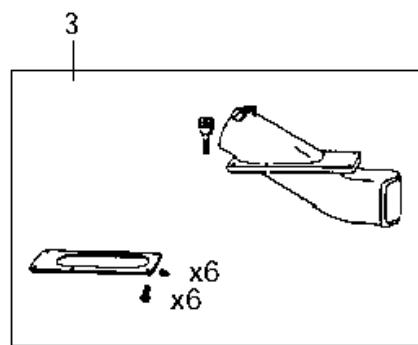
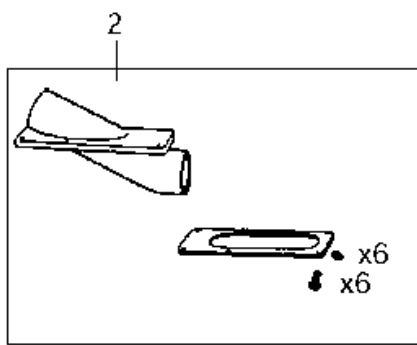
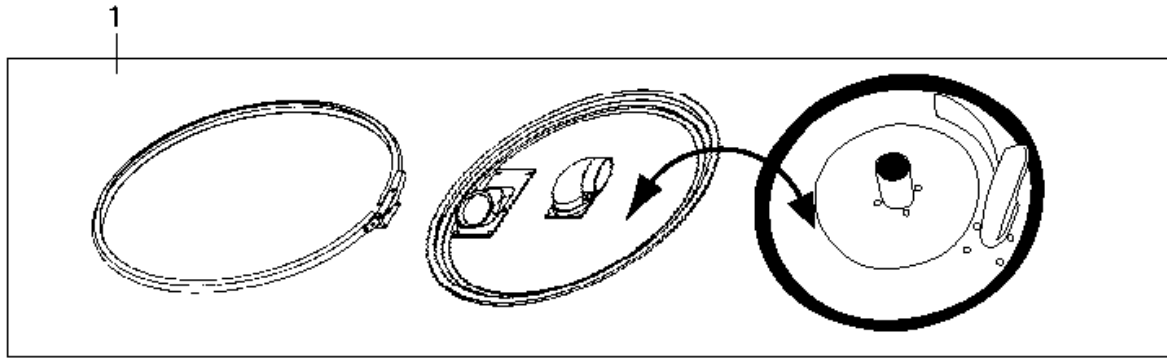
Resource notes:

Pos.	Vare-nr	Antal	Beskrivelse	Notes
01	12167700	1	HOSE 38 PUR PIPE+50MMBAY.	[1]
01	12248200	1	HOSE 50/3M CON. COMPLETE	[1]
01	12291400	1	HOSE 38/3M OIL COMPLETE	[1]
01	12167200	1	HOSE 50/3M PUR COMPLETE	[1]
02	82184700	1	HOSE 38MM PUR NOZZLE+50 BAY.	[2]
02	82184600	1	HOSE 50/3M PUR BAYONET +NOZZLE	[1]
03	82344900	1	HOSE 50/3M PUR BALL+SLEEVE 3M	[1]
10	70619100	2	RING FOR RUBBER SLEEVE 50 FE	[3]
10	80943500	2	RING FOR SLEEVE 38MM FE/ZN	[4]
11	80619000	1	SLEEVE.BALL-BALL D50	[3]
11	80943400	1	SLEEVE. BALL-BALL D38	[4]
12	22339700	1	Muff Kit 50 Mm	
12	22340900	1	Muffe Kit 38Mm	
13	22344200	1	Kobling, Bajonet 50Mm	
13	22329900	1	Kobling, Bajonet 38Mm Stål	

## Part Notes:

- [1] - Nilfisk-CFM Acc. Program
- [2] - Alternative from Nilfisk-CFM Acc program
- [3] - Old IVAC production products
- [4] - ALT. USE KIT 22340900



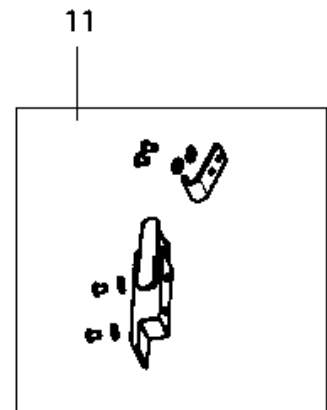
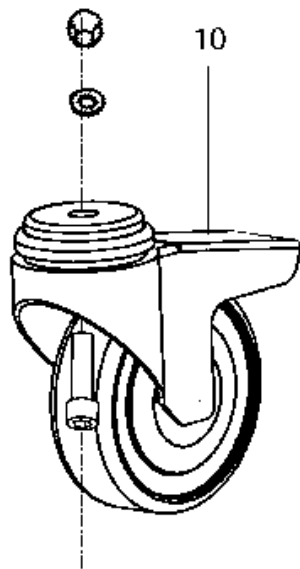
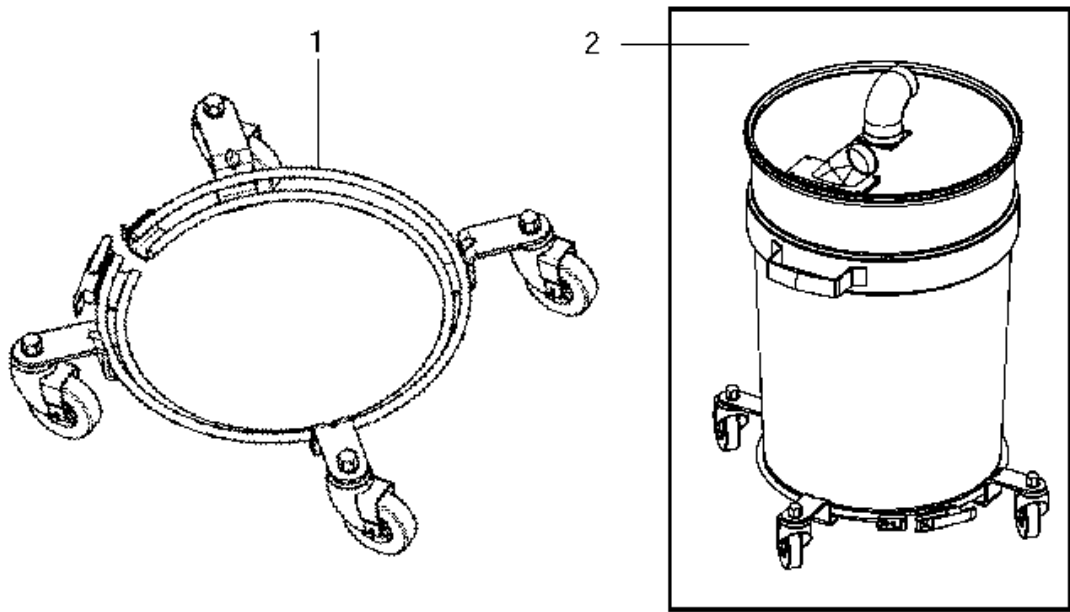


Resource notes:

Pos.	Vare-nr	Antal	Beskrivelse	Notes
01	Z7 22105	1	100 Liters Mobil Seperator R Ø460	
02	22239000	1	KIT SET Ø38 ACCESSORIES FOR SE	[1]
03	71323000	1	Tilslutning	[2]
04	22239400	1	KIT SET FOR 38/50 ACCESSORIES	
20	22228800	1	KIT SET FOR COVER WITH NO HOLES	[3]
21	22228600	1	SPARE PARTS SET FOR SENDER	[3]

## Part Notes:

- [1] - CLOSED WHEN STOCK EMPTY
- [2] - NO MORE AVAILABLE
- [3] - NO LONGER AVAILABLE

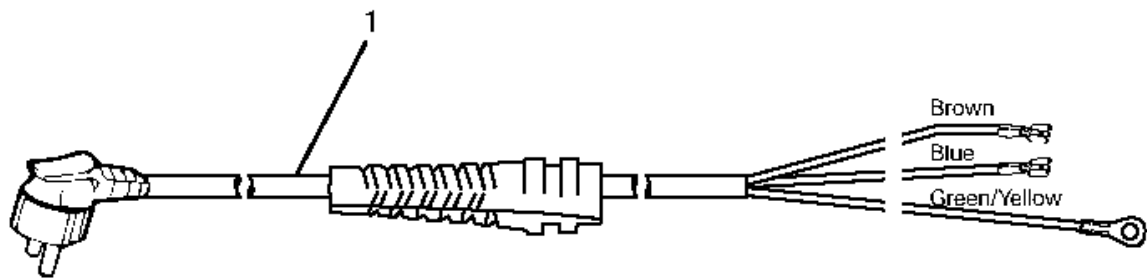


Resource notes:

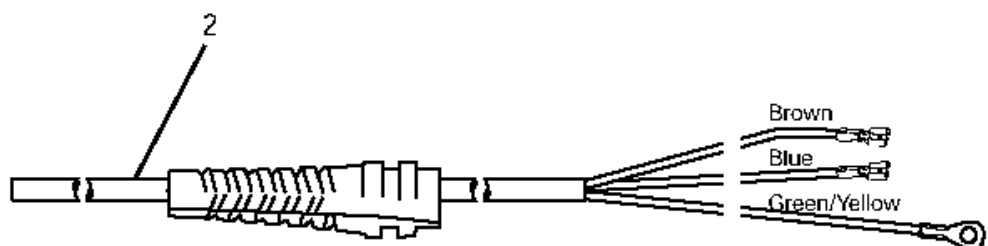
Pos.	Vare-nr	Antal	Beskrivelse	Notes
01	22223000	1	CARRIAGE FRAME FOR PRE-SEPARATOR	[1]
02	22318800	1	PRE SEPERATOR COMP. X50	[2]
02	22318700	1	PRE SEP COMP X38	[3]
10	22228400	1	SPARE PARTS SET FOR WHEEL COMPLETE	[1]
11	22223900	1	SPARE PARTS SET FOR LID	[1]

## Part Notes:

- [1] - NO LONGER AVAILABLE
- [2] - GUARANTEE DATE EXPIRED
- [3] - CONTACT PM IN ZOCCA



Plugs for grounded models			
	Rating	Plug type	
EU Grounded	250		
DK Grounded	250		
UK Grounded	250		
AUS/NZ Grounded	250		
CH Grounded	250		
USA/CAN/Japan Grounded	120		
Italy Institutional Grounded	250		

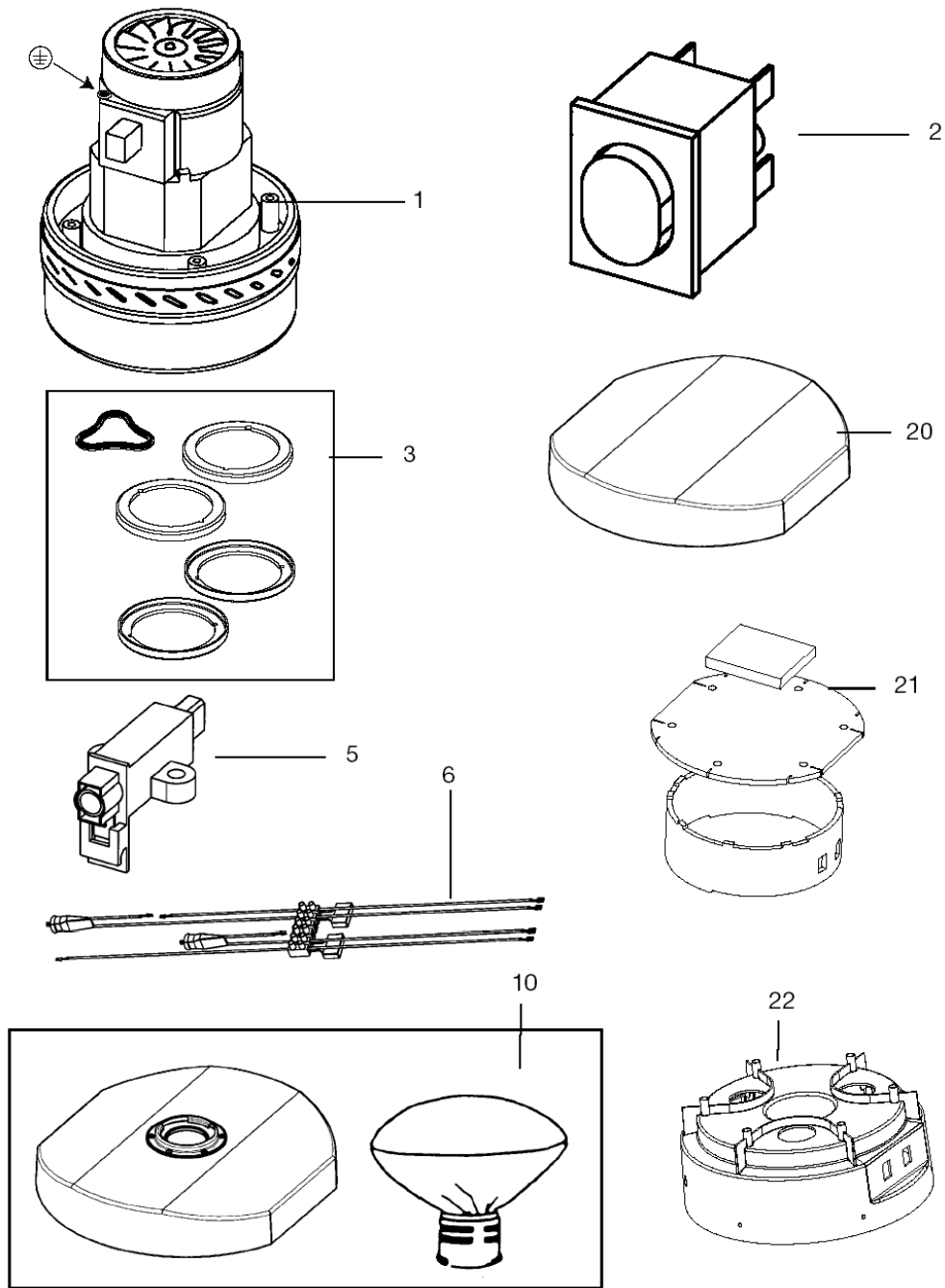


Resource notes:

Pos.	Vare-nr	Antal	Beskrivelse	Notes
00	22161705	1	CORD IX 2000 AUS/NZ 3X1.5MM2.L15 M	[1]
00	22161701	1	Kabel Ix 2000 Eu	
00	22161703	1	CORD IX 2000 CH 3X1.5MM2.L15M	[2]
00	22161702	1	CORD IX 2000 UK 3X1.5MM2.L15M	[1]
00	22161706	1	CORD IX 2000 US/JP 3X14 AWG. L15M	[1]
00	22161704	1	CORD IX 2000 I 3X1.5MM2.L15M	[1]
01	22161707	1	Kabel Kompl.	[1]
02	22161708	1	CORD IX 2000 UK NO PLUG 3X1.5MM2. L15M	[2]

## Part Notes:

- [1] - CONTACT PM IN ZOCCA
- [2] - NO MORE AVAILABLE



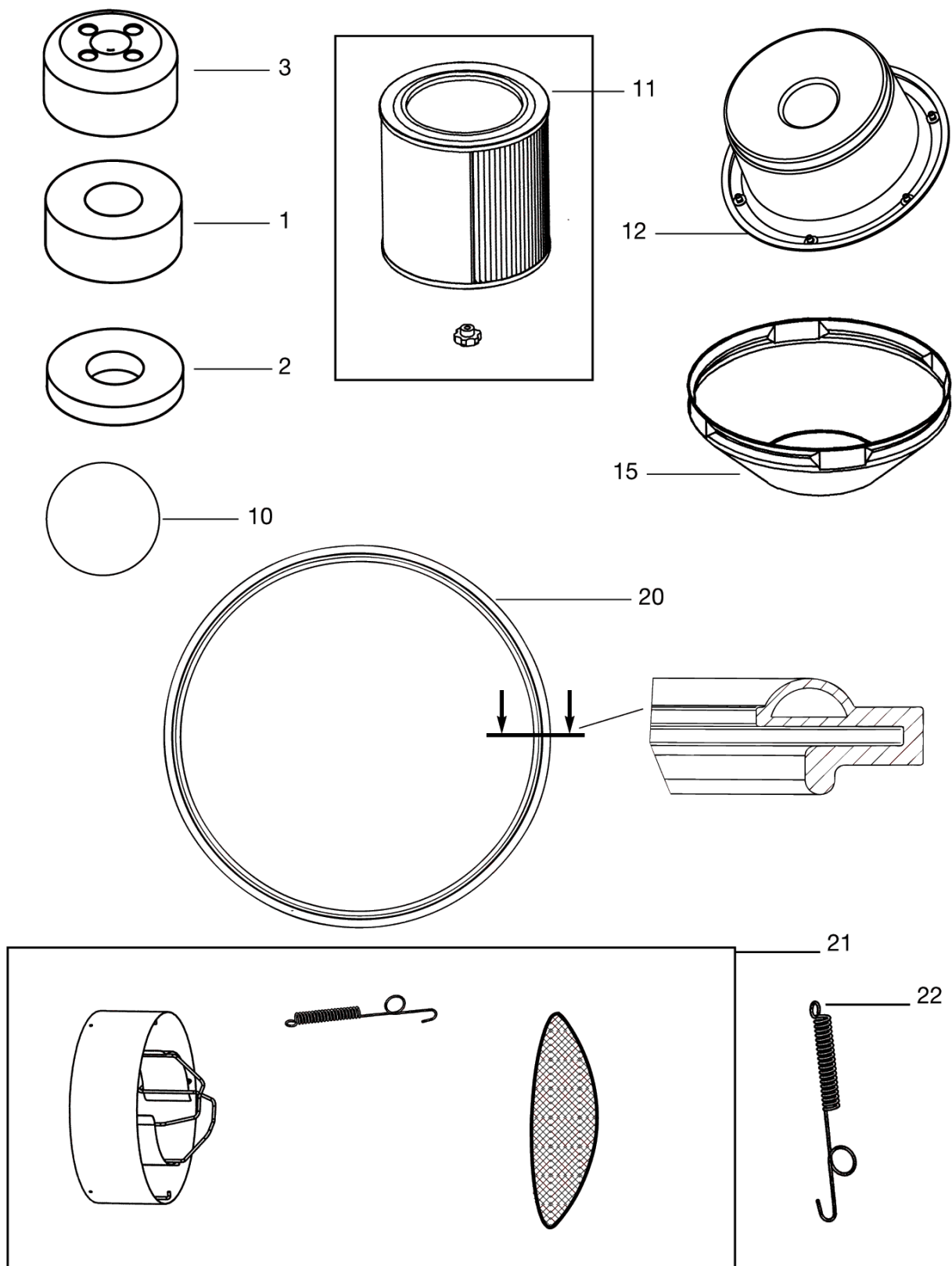
Resource notes:

Pos.	Vare-nr	Antal	Beskrivelse	Notes
01	22162601	1	MOTOR-UNIT FOR IW2050/IX2000 220-240V	
01	22162602	1	MOTOR-UNIT FOR IW2050/IX 2000 110-120V	
02	22160600	1	Afbryder, Lys Kompl.	
03	20707200	1	GASKET KIT IX2000	
05	22196401	1	Kul 220-240V Kompl.	
05	22196402	1	KUL 100-120V KOMPL.	[1]
06	22395700	1	Klemrække, Termoafbryder	
10	22229000	1	FIXED OUTLET	[2]
20	82160100	1	Motorlåg	
21	40000791	1	SILENCER KIT	
22	82160500	1	MANIFOLD	

## Part Notes:

- [1] - NO LONGER AVAILABLE
- [2] - NO MORE AVAILABLE



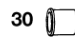


Resource notes:

Pos.	Vare-nr	Antal	Beskrivelse	Notes
01	22163700	1	Filter, Oil Pad Iw2050	
02	22165200	1	Filter, Oil Absorber Pad Iw2050	
03	82163600	1	Dæksel. Plast Iw2050	[1]
10	22164900	1	Flyder Kompl.F.Iw2050	[2]
11	22313400	1	Filter, Patron Id2050	[1]
11	22316600	1	Filter, Patron Id2050 Fint Støv	[1]
12	82164000	1	Separatorspand, Cyl.	
15	82311900	1	CONE FOR SEPARATOR LID ID 2050	
20	22196800	1	Konverteringssæt Iw2050	
20	22196500	1	Kitsæt F.Ekst.Pakn.Iw2050	
21	22394600	1	Kit M. Svøb, Si, Fjedre	[1]
22	22394500	1	Fjeder, Kitsæt Si Iw2050	


Part Notes:

- [1] - NO MORE AVAILABLE
- [2] - STOCK COVERS GUARANTEE PERIOD



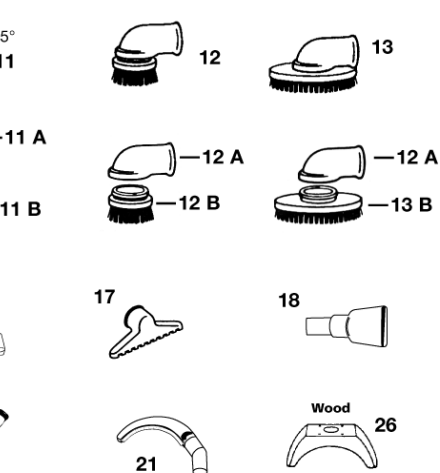
30

See hoses connection diagram for 38mm

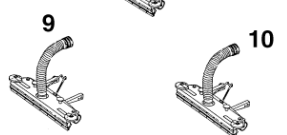


8

See hoses connection diagram for 50mm

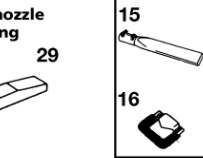


**Fixed floor nozzle**



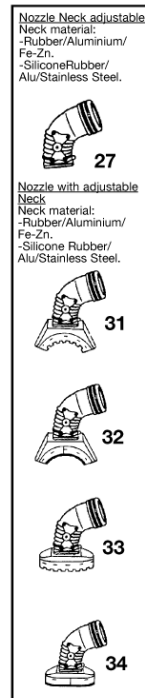
Ref. No	For models	Serial No.
11669000	GM 625	101 - 3434
11669000	GB 725	101 - 1002
11839000	GM 625	3435 -
11839000	GM 725	1003 -
11839000	GM 626/GM 726	1001 -
11839000	GB 826	1001 -

**Wooden nozzle for cleaning ovens**



29

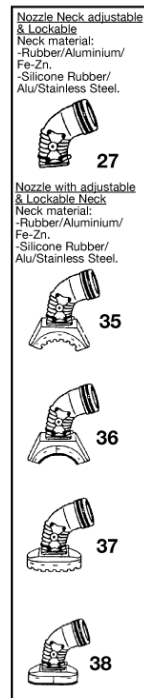
**Nozzle Neck adjustable**  
Neck material:  
-Rubber/Aluminium/  
Fe-Zn.  
-Silicone/Rubber/  
Alu/Stainless Steel.



27

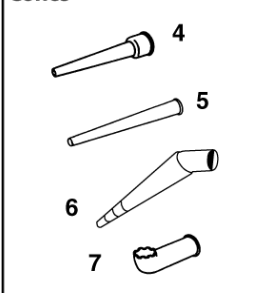
**Nozzle with adjustable Neck**  
Neck material:  
-Rubber/Aluminium/  
Fe-Zn.  
-Silicone Rubber/  
Alu/Stainless Steel.

**Nozzle Neck adjustable & Lockable**  
Neck material:  
-Rubber/Aluminium/  
Fe-Zn.  
-Silicone Rubber/  
Alu/Stainless Steel.



27

**Cones**




4

5

6

7

**Wood/plastic blades**



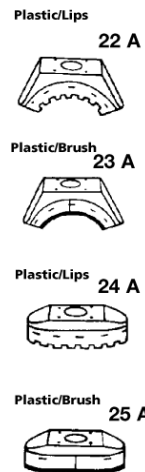
22

23

24

25

**Plastic/Lips**



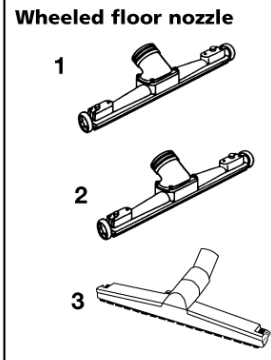
22 A

23 A

24 A

25 A

**Wheeled floor nozzle**



1

2

3

Resource notes:

Pos.	Vare-nr	Antal	Beskrivelse	Notes
01	10915000	1	FLOOR NOZZLE 50 ALU. 400	[1]
02	82226700	1	Mundstykke, Gulv 50Mm Våd 500Mm Bred	
03	82226700	1	Mundstykke, Gulv 50Mm Våd 500Mm Bred	
04	80650900	1	Mundstykke konisk gummi NBR 245 mm Ø50	
04	L02650900	1	Mundstykke, Sort Gum. 50Mm	
05	80691100	1	Mundstykke konisk gummi NBR 500 mm Ø50	
06	82167400	1	Mundstykke konisk gummi olieresis. Ø50	
07	80654600	1	Mundstykke Gummi	
08	11372800	1	Mundstykke, Beholder Gs82	[2]
08	12294500	1	NOZZLE 50MM 500MM LIPS+BRUSH	[1]
09	11372900	1	Mundstykke, Beh.83/833	
09	12294600	1	NOZZLE 50MM 750MM BRUSH+LIPS	[1]
10	11669000	1	FLOOR NOZZ. . 50MM 750MM	[1]
10	11839000	1	NOZZLE.GM625/GB725 750MM	[1]
11	10643202	1	ROUND BRUSH GREEN FOR 50MM	
11	4072200570	1	Rundbørste sort NBR 70 mm Ø50	
11	10643204	1	ROUND BRUSH WHITE FOR 50MM BRUSH 70M	
11	10643201	1	Rund Børste Rød F.50Mm Børste Ø70Mm	
11	4072200575	1	Rundbørste gul NBR 70 mm Ø50	
11	4072200573	1	Rundbørste blå NBR 70 mm Ø50	
11A	80625000	1	Fatning	
11B	4072400267	1	Rundbørste krans blå 70 mm	
11B	4072400269	1	ROUND BRUSH RING YELLOW 70MM	
11B	4072400265	1	Rundbørste krans rød 70 mm	
11B	4072400264	1	Rundbørste krans sort 70 mm	
11B	4072400268	1	ROUND BRUSH RING WHITE 70MM	
11B	4072400266	1	Rundbørste ring grøn 70 mm	
12	11344600	1	ROUND BRUSH 75MM	
12A	80671500	1	RUBBER FITTING D50	[3]
12B	4072200570	1	Rundbørste sort NBR 70 mm Ø50	
13	11344700	1	OVAL BRUSH 150MM	
13B	80690500	1	BRUSH	[4]
14	L02122400	1	Alu. Mundstykke	[5]
15	10643300	1	Mundstykke, Fuge	
16	10654100	1	Børstekrans	[6]
17	80640501	1	Mundstykke AS gummi olieres. 200 mm Ø50	[7]
17	80640500	1	Mundstykke gummi NBR grå 200 mm Ø50	[8]
18	L02122200	1	Mundstykke Ø50 mm	[5]
18	82167300	1	Mundstykke PVC 25x90mm olieresistent Ø50	
19	L03058201	1	SUGEDYSE 50MM 40X250MM	[5]
21	82191300	1	Rørmundsty.50/200Mm	[9]
21	Z7 22131	1	Rørbørste Ø100 Ø50 mm	[10]
22	10674600	1	MUNDSTYKKE T.RØR 100MM ½	[11]
22	10674800	1	MUNDSTYKKE T RØR 300MM ½	[12]
22	10674900	1	MUNDSTYKKE T.RØR 400MM ½	[13]
22	10674700	1	MUNDSTYKKE T.RØR 200MM ½	[14]
22	10675000	1	MUNDSTYKKE T.RØR 600MM ½	[13]
22A	32430103	1	FLOOR NOZZ PART WITH RAIL WHITE	[5]
22A	32430302	1	FLOOR NOZZ PART WITH RAIL BLACK	[15]
22A	32430206	1	FLOOR NOZZ PART WITH RAIL GREEN	[5]
22A	32430101	1	FLOOR NOZZ PART WITH RAIL DARK GREY	[5]
22A	32430301	1	FLOOR NOZZ PART WITH RAIL DARK GREY	[5]
22A	32430107	1	FLOOR NOZZ PART WITH RAIL BLUE	[5]
22A	32430303	1	FLOOR NOZZ PART WITH RAIL WHITE	[5]
22A	32430105	1	FLOOR NOZZ PART WITH RAIL RED	[15]
22A	32430203	1	FLOOR NOZZ PART WITH RAIL WHITE	[5]
22A	32430102	1	FLOOR NOZZ PART WITH RAIL BLACK	[5]
22A	32430205	1	FLOOR NOZZ PART WITH RAIL RED	[15]
22A	32430305	1	NOZZLE PART WITH LIPS RED FOR PIPE CLEAN	[15]

Pos.	Vare-nr	Antal	Beskrivelse	Notes
22A	32430307	1	FLOOR NOZZ PART WITH RAIL BLUE	[5]
22A	32430106	1	FLOOR NOZZ PART WITH RAIL GREEN	[5]
22A	32430202	1	FLOOR NOZZ. WITH RAIL BLACK ESD	[5]
22A	32430201	1	FLOOR NOZZ PART WITH RAIL DARK GREY	[15]
22A	32430104	1	NOZZLE PART WITH LIPS YELLOW FOR PIPE CL	[15]
22A	32430204	1	FLOOR NOZZ PART WITH RAIL YELLOW	[5]
22A	32430306	1	FLOOR NOZZ PART WITH RAIL GREEN	[5]
22A	32430207	1	FLOOR NOZZ PART WITH RAIL BLUE	[15]
22A	32430304	1	FLOOR NOZZ PART WITH RAIL YELLOW	[5]
23	10657900	1	MUNDSTYKKE T.RØR 400MM ½	[13]
23	10666400	1	MUNDSTYKKE T.RØR 600MM ½	[13]
23	42431100	1	FLOOR NOZZ PART WITH BRUSH GRE	[5]
23	42430900	1	NOZZLE PART WITH BRUSH GREY FOR PIPE CL	[5]
23	10661600	1	MUNDSTYKKE T.RØR 200MM	[16]
23A	42431005	1	FLOOR NOZZ PART WITH BRUSH RED	[15]
23A	42431001	1	FLOOR NOZZ PART WITH BRUSH DARK GREY	[15]
23A	42431006	1	FLOOR NOZZ PART WITH BRUSH GREEN	[15]
23A	42431000	1	FLOOR NOZZ PART WITH BRUSH GRE	[5]
23A	42431100	1	FLOOR NOZZ PART WITH BRUSH GRE	[5]
23A	42430905	1	NOZZLE PART WITH BRUSH RED FOR PIPE CLEA	[15]
23A	42430900	1	NOZZLE PART WITH BRUSH GREY FOR PIPE CL	[5]
23A	42431105	1	FLOOR NOZZ PART WITH BRUSH RED	[15]
23A	42431104	1	FLOOR NOZZ PART WITH BRUSH YELLOW	[15]
23A	42431102	1	FL. NOZZ. PART WITH BRUSH BLAC	
23A	42431107	1	FLOOR NOZZ PART WITH BRUSH BLUE 300MM	[17]
23A	42431101	1	FLOOR NOZZ PART WITH BRUSH DARK GREY	[15]
23A	42430902	1	NOZZLE PART WITH BRUSH BLACK FOR PIPE C	[5]
23A	42431004	1	FLOOR NOZZ PART WITH BRUSH YELLOW	[6]
23A	42430907	1	FLOOR NOZZ PART WITH BRUSH BLUE	
23A	42431106	1	FLOOR NOZZ PART WITH BRUSH GREEN	[5]
23A	42431007	1	NOZZLE PART WITH BRUSH BLUE FOR PIPE CLE	
23A	42431002	1	NOZZLE PART WITH BRUSH BLACK FOR PIPE C	[5]
23A	42430906	1	NOZZLE PART WITH BRUSH GREEN FOR PIPE CL	[5]
23A	42430904	1	NOZZLE PART WITH BRUSH YELLOW FOR PIPE C	[5]
23A	42430901	1	FLOOR NOZZ PART WITH BRUSH DARK GREY	[15]
24	32430801	1	FLOOR NOZZ PART WITH RAIL DARK GRE	[5]
24A	32430805	1	NOZZLE WITH LIPS RED. FDA. FLAT 300MM	[15]
24A	32430803	1	NOZZLE PART W.LIPS WHITE FLAT 300MM FDA	[5]
24A	32430801	1	FLOOR NOZZ PART WITH RAIL DARK GRE	[5]
24A	32430807	1	NOZZLE WITH LIPS BLUE. FDA. FLAT 300MM	[15]
24A	32430802	1	FLOOR NOZZ PART WITH RAIL BLAC	[5]
24A	32430804	1	NOZZLE PART WITH LIPS YELLOW FLAT 300MM	[15]
24A	32430806	1	NOZZLE PART WITH LIPS GREEN FLAT 300MM	[5]
25	10647300	1	BASE FLOOR NOZZ. 150MM WOOD	[13]
25	10651600	1	BASE FLOOR NOZZ. 300MM WOOD	[18]
25	42431602	1	NOZZLE PART W.BRIST.BLACK FLAT 300MM ESD	
25A	42431604	1	NOZZLE PART WITH BRUSH YELLOW FLAT 300MM	[5]
25A	42431602	1	NOZZLE PART W.BRIST.BLACK FLAT 300MM ESD	
25A	42431606	1	FLOOR NOZZ PART WITH BRUSH GREE	[5]
25A	42431602	1	NOZZLE PART W.BRIST.BLACK FLAT 300MM ESD	
25A	42431605	1	FLOOR NOZZ PART WITH BRUSH RED	[5]
25A	42431601	1	NOZZLE PART WITH BRUSH DARK GREEN FLAT	[5]
25A	42431607	1	FLOOR NOZZ PART WITH BRUSH	[5]
26	10647500	1	MUNDSTYKKE	[13]
27	10645000	1	Studs, Universal	
27	10645011	1	SWIVEL TOP 50MM ST. STEEL AND ALU. ST	
27	10645031	1	Swivel Top 50Mm Fe/Zn	[5]
27	10645021	1	SWIVEL TOP LOCKABLE 50MM ST. STEE	[5]
29	10662500	1	CARPET NOZZLE 50MM WD	[1]

Pos.	Vare-nr	Antal	Beskrivelse	Notes
30	80971400	1	Reduktionsmuffe 50-38Mm	
31	22431907	1	NOZZLE LIPS 50MM ST. STEEL FOR PIPE 200M	[1]
31	22432002	1	NOZZLE LIPS 50MM FE/ZN FOR PIPE 300MM BL	[1]
31	22432004	1	NOZZLE LIPS 50MM ST. STEEL FOR PIPE 300M	[1]
31	22431903	1	NOZZLE LIPS 50MM ST. STEEL FOR PIPE 200M	[1]
31	22431905	1	NOZZLE LIPS 50MM ST. STEEL FOR PIPE 200M	[1]
31	22431901	1	NOZZLE LIPS 50MM ST. STEEL FOR PIPE 200M	[1]
31	22431806	1	NOZZLE LIPS 50MM ST. STEEL FOR PIPE 100M	[1]
31	22432006	1	NOZZLE LIPS 50MM ST. STEEL FOR PIPE 300M	[1]
31	22431803	1	NOZZLE LIPS 50MM ST. STEEL FOR PIPE 100M	[1]
31	22432007	1	NOZZLE LIPS 50MM ST. STEEL FOR PIPE 300M	[1]
31	22432001	1	NOZZLE LIPS 50MM ST. STEEL FOR PIPE 300M	[1]
31	22432003	1	NOZZLE LIPS 50MM ST. STEEL FOR PIPE 300M	[1]
31	22431807	1	NOZZLE LIPS 50MM ST. STEEL FOR PIPE 100M	[1]
31	22431904	1	NOZZLE LIPS 50MM ST. STEEL FOR PIPE 200M	[1]
31	22431902	1	NOZZLE LIPS 50MM FE/ZN FOR PIPE 200MM BL	[1]
31	22432005	1	NOZZLE LIPS 50MM ST. STEEL FOR PIPE 300M	[1]
31	22431804	1	NOZZLE LIPS 50MM ST. STEEL FOR PIPE 100M	[1]
31	22431801	1	NOZZLE LIPS 50MM ST. STEEL FOR PIPE 100M	[1]
31	22431906	1	NOZZLE LIPS 50MM ST. STEEL FOR PIPE 200M	[1]
31	22431802	1	NOZZLE LIPS 50MM FE/ZN FOR PIPE 100MM BL	[1]
31	22431805	1	NOZZLE LIPS 50MM ST. STEEL FOR PIPE 100M	[1]
32	22432606	1	NOZZLE BRUSH50MM ST. STEEL FOR PIPE 300M	[1]
32	22432402	1	Munnst.Børste50Mm Fe/Zn F.Rør 100Mm Sort	[5]
32	22432502	1	Mundst.Børste50Mm Fe/Zn F.Rør 200Mm Sort	[5]
32	22432505	1	NOZZLE BRUSH50MM ST. STEEL FOR PIPE 200M	[1]
32	22432404	1	NOZZLE BRUSH50MM ST. STEEL FOR PIPE 100M	[1]
32	22432504	1	NOZZLE BRUSH50MM ST. STEEL FOR PIPE 200M	[1]
32	22432605	1	NOZZLE BRUSH50MM ST. STEEL FOR PIPE 300M	[1]
32	22432406	1	NOZZLE BRUSH50MM ST. STEEL FOR PIPE 100M	[1]
32	22432501	1	NOZZLE BRUSH50MM ST. STEEL FOR PIPE 200M	[1]
32	22432507	1	NOZZLE BRUSH50MM ST. STEEL FOR PIPE 200M	[1]
32	22432602	1	NOZZLE BRUSH50MM FE/ZN FOR PIPE 300MM B	
32	22432401	1	NOZZLE BRUSH50MM ST. STEEL FOR PIPE 100M	[1]
32	22432506	1	NOZZLE BRUSH50MM ST. STEEL FOR PIPE 200M	[1]
32	22432601	1	NOZZLE BRUSH50MM ST. STEEL FOR PIPE 300M	[1]
32	22432600	1	Rørbørste ø50-ø300	
32	22432405	1	NOZZLE BRUSH50MM ST. STEEL FOR PIPE 100M	[1]
32	22432607	1	NOZZLE BRUSH50MM ST. STEEL FOR PIPE 300M	[1]
32	22432500	1	NOZZLE BRUSH50MM FE/ZN FOR PIPE 200MM G	
32	22432604	1	NOZZLE BRUSH50MM ST. STEEL FOR PIPE 300M	[1]
32	22432407	1	NOZZLE BRUSH50MM ST. STEEL FOR PIPE 100M	[1]
33	22432302	1	NOZZLE LIPS 50MM FE/ZN FLAT 300MM BLAC	
33	22432305	1	NOZZLE LIPS 50MM ST. STEEL FLAT 300MM RE	[1]
33	22432304	1	NOZZLE LIPS 50MM ST. STEEL FLAT 300MM YE	[1]
33	22432306	1	NOZZLE LIPS 50MM ST. STEEL FLAT 300MM G	[5]
33	22432307	1	NOZZLE LIPS 50MM ST. STEEL FLAT 300MM BL	[1]
33	22432303	1	NOZZLE LIPS 50MM ST. STEEL FLAT 300MM WH	[1]
34	22432907	1	Mundst.Børste50Mm Rustfri Fladt 300Mm Bl	
34	22432906	1	NOZZLE BRUSH50MM ST. STEEL FLAT 300MM G	[6]
34	22432904	1	NOZZLE BRUSH50MM ST. STEEL FLAT 300MM YE	[1]
34	22432902	1	Børstemundst. Sort, 300mm, Ø50, FDA godk	[5]
34	22432905	1	NOZZLE BRUSH50MM ST. STEEL FLAT 300MM R	[5]
35	22433206	1	NOZZLE LIPS 50MM ST. STEEL FOR PIPE 200M	[1]
35	22433207	1	NOZZLE LIPS 50MM ST. STEEL FOR PIPE 200M	[1]
35	22433105	1	NOZZLE LIPS 50MM ST. STEEL FOR PIPE 100M	[1]
35	22433104	1	NOZZLE LIPS 50MM ST. STEEL FOR PIPE 100M	[1]
35	22433302	1	NOZZLE LIPS 50MM FE/ZN FOR PIPE 300MM BL	[1]
35	22433107	1	NOZZLE LIPS 50MM ST. STEEL FOR PIPE 100M	[1]

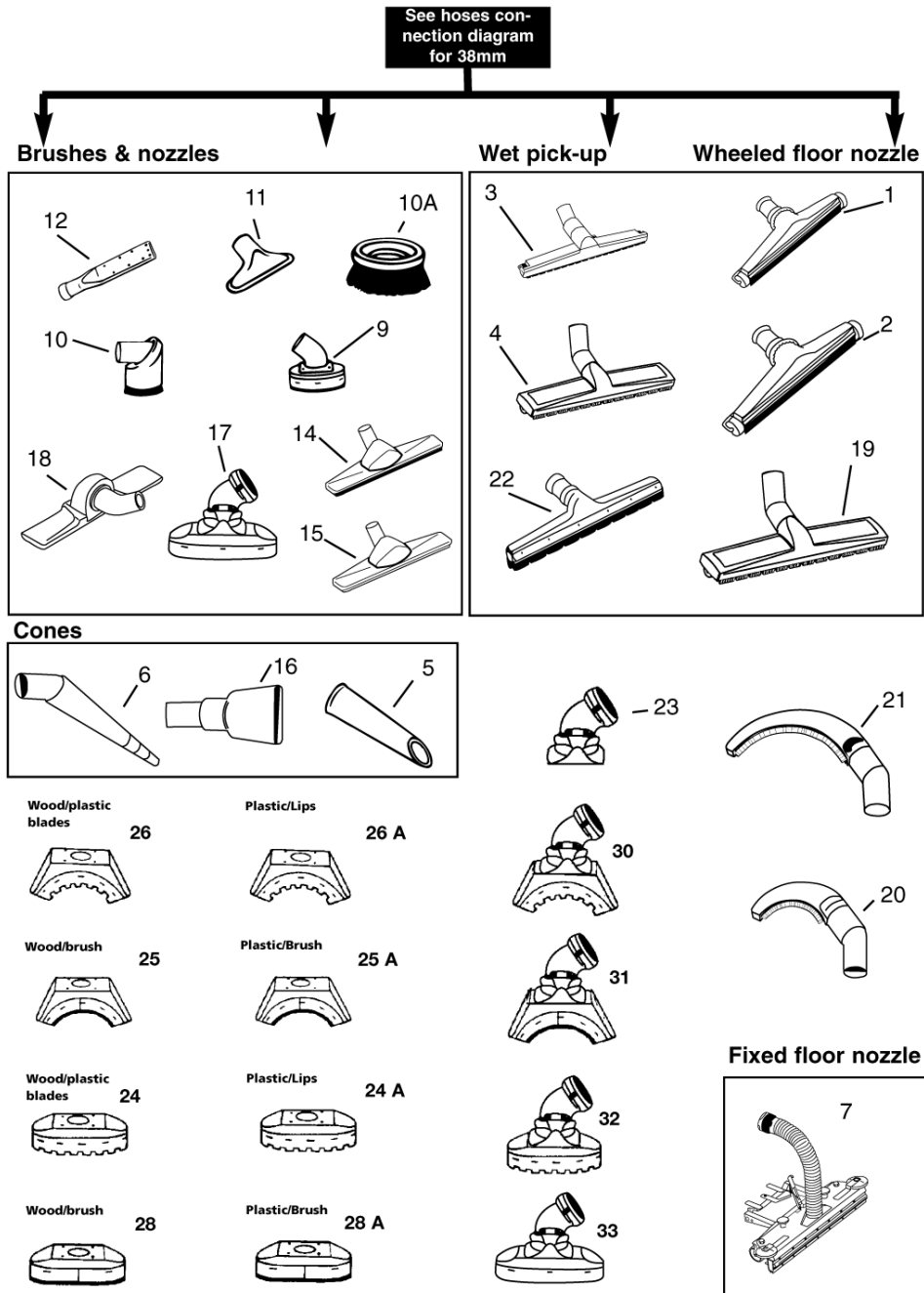
Pos.	Vare-nr	Antal	Beskrivelse	Notes
35	22433201	1	NOZZLE LIPS 50MM ST. STEEL FOR PIPE 200M	[1]
35	22433205	1	NOZZLE LIPS 50MM ST. STEEL FOR PIPE 200M	[1]
35	22433306	1	NOZZLE LIPS 50MM ST. STEEL FOR PIPE 300M	[1]
35	22433301	1	NOZZLE LIPS 50MM ST. STEEL FOR PIPE 100M	[1]
35	22433102	1	NOZZLE LIPS 50MM FE/ZN FOR PIPE 100MM BL	[1]
35	22433204	1	NOZZLE LIPS 50MM ST. STEEL FOR PIPE 200M	[1]
35	22433106	1	NOZZLE LIPS 50MM ST. STEEL FOR PIPE 100M	[1]
35	22433304	1	NOZZLE LIPS 50MM ST. STEEL FOR PIPE 300M	[1]
35	22433202	1	NOZZLE LIPS 50MM FE/ZN FOR PIPE 200MM BL	[1]
35	22433307	1	NOZZLE LIPS 50MM ST. STEEL FOR PIPE 300M	[1]
35	22433305	1	NOZZLE LIPS 50MM ST. STEEL FOR PIPE 300M	[1]
35	22433103	1	NOZZLE LIPS 50MM ST. STEEL FOR PIPE 100M	[1]
35	22433303	1	NOZZLE LIPS 50MM ST. STEEL FOR PIPE 300M	[1]
35	22433203	1	NOZZLE LIPS 50MM ST. STEEL FOR PIPE 200M	[1]
35	22433101	1	NOZZLE LIPS 50MM ST. STEEL FOR PIPE 100M	[1]
36	22433805	1	NOZZLE BRUSH50MM ST. STEEL FOR PIPE 200M	[1]
36	22433801	1	NOZZLE BRUSH50MM ST. STEEL FOR PIPE 100M	[1]
36	22433904	1	NOZZLE BRUSH50MM ST. STEEL FOR PIPE 300M	[1]
36	22433704	1	NOZZLE BRUSH50MM ST. STEEL FOR PIPE 100M	[1]
36	22433905	1	NOZZLE BRUSH50MM ST. STEEL FOR PIPE 300M	[1]
36	22433707	1	NOZZLE BRUSH50MM ST. STEEL FOR PIPE 100M	[1]
36	22433705	1	NOZZLE BRUSH50MM ST. STEEL FOR PIPE 100M	[1]
36	22433901	1	NOZZLE BRUSH50MM ST. STEEL FOR PIPE 300M	[1]
36	22433906	1	NOZZLE BRUSH50MM ST. STEEL FOR PIPE 300M	[1]
36	22433802	1	NOZZLE BRUSH50MM FE/ZN FOR PIPE 200MM BL	[1]
36	22433807	1	NOZZLE BRUSH50MM ST. STEEL FOR PIPE 200M	[1]
36	22433800	1	NOZZLE BRUSH50MM FE/ZN FOR PIPE 200MM GR	[1]
36	22432602	1	NOZZLE BRUSH50MM FE/ZN FOR PIPE 300MM B	
36	22433701	1	NOZZLE BRUSH50MM ST. STEEL FOR PIPE 100M	[1]
36	22433900	1	NOZZLE BRUSH50MM FE/ZN FOR PIPE 300MM GR	[1]
36	22433702	1	NOZZLE BRUSH50MM FE/ZN FOR PIPE 100MM BL	[1]
36	22433804	1	NOZZLE BRUSH50MM ST. STEEL FOR PIPE 200M	[1]
36	22433907	1	NOZZLE BRUSH50MM ST. STEEL FOR PIPE 300M	[1]
36	22433706	1	NOZZLE BRUSH50MM ST. STEEL FOR PIPE 100M	[1]
36	22433806	1	NOZZLE BRUSH50MM ST. STEEL FOR PIPE 200M	[1]
37	22433606	1	NOZZLE LIPS 50MM ST. STEEL FLAT 300MM GR	[1]
37	22433604	1	NOZZLE LIPS 50MM ST. STEEL FLAT 300MM YE	[1]
37	22433601	1	NOZZLE LIPS 50MM ST. STEEL FLAT 300MM DA	[1]
37	22433607	1	NOZZLE LIPS 50MM ST. STEEL FLAT 300MM BL	[1]
37	22433605	1	NOZZLE LIPS 50MM ST. STEEL FLAT 300MM RE	[1]
37	22433603	1	NOZZLE LIPS 50MM ST. STEEL FLAT 300MM WH	[1]
37	22433602	1	NOZZLE LIPS 50MM FE/ZN FLAT 300MM BLACK	[1]
38	22434205	1	NOZZLE BRUSH50MM ST. STEEL FLAT 300MM RE	[1]
38	22432902	1	Børstemundst. Sort, 300mm, Ø50, FDA godk	[5]
38	22434202	1	NOZZLE BRUSH50MM FE/ZN FLAT 300MM BLAC	[19]
38	22434206	1	NOZZLE BRUSH50MM ST. STEEL FLAT 300MM GR	[1]
38	22434204	1	NOZZLE BRUSH50MM ST. STEEL FLAT 300MM YE	[20]
38	22434201	1	NOZZLE BRUSH50MM ST. STEEL FLAT 300MM DA	[21]
38	22432907	1	Mundst.Børste50Mm Rustfri Fladt 300Mm Bl	

## Part Notes:

- [1] - Nilfisk-CFM Acc. Program
- [2] - CLOSED WHEN STOCK EMPTY
- [3] - TSB IVAC production Program
- [4] - TSB DK 2003-001
- [5] - CONTACT PM IN ZOCCA
- [6] - NO MORE AVAILABLE
- [7] - BLACK
- [8] - GREY

- [9] - BRUSH UP TO 200 MM  
CONTACT PM IN ZOCCA
- [10] - BRUSH UP TO 100 MM
- [11] - 32430101,TSB 2003-001
- [12] - 32430301,TSB 2003-001
- [13] - TSB 2003-001
- [14] - 32430201,TSB 2003-001
- [15] - ACCESSORIES OUTPHASED
- [16] - 42431000,TSB 2003-001
- [17] - NO LONGER AVAILABLE
- [18] - 42431600,TSB 2003-001
- [19] - 10645000 + 42431602
- [20] - No replacement part
- [21] - 42431601 and 10645021





Resource notes:

Pos.	Vare-nr	Antal	Beskrivelse	Notes
01	140 3816 020	1	Børstemundst. Ø38, 37 Cm.	
02	12294300	1	NOZZLE FLOOR 38MM 400MMALU MM-RUB/BRUSH LIPS	
02	10947300	1	GULVMUNDSTYKKE	[1]
03	140 3816 020	1	Børstemundst. Ø38, 37 Cm.	
03	82168000	1	Mundstykke, Gulv 38Mm Våd	
04	12126700	1	Mundstykke, Gummi 38Mm Grå	
05	L02956200	1	Mundstykke, Skrå 38Mm	
05	80956200	1	Rør, Skrå 38Mm L200Mm	
06	82167900	1	Mundstykke, Konisk 38Mm Gummi Olieresist	
09	10989000	1	Børste, Rund 100Mm 38Mm	
10	10950200	1	Rundbørste Sort 38Mm Ø70	[2]
10	12422500	1	Rundbørste naturhår 70 mm Ø38	
10	4072200578	1	Rundbørste grøn NBR 70 mm Ø38	
10	4072200580	1	Rundbørste hvid 70 mm Ø38	
10	4072200579	1	Rundbørste blå NBR 70 mm Ø38	
10	4072200577	1	Rundbørste rød NBR 70 mm Ø38	
10	4072200581	1	Rundbørste gul NBR 70 mm Ø38	
10A	4072400264	1	Rundbørste krans sort 70 mm	
10A	4072400266	1	Rundbørste ring grøn 70 mm	
10A	4072400267	1	Rundbørste krans blå 70 mm	
10A	4072400265	1	Rundbørste krans rød 70 mm	
10A	4072400269	1	ROUND BRUSH RING YELLOW 70MM	
11	70945300	1	Mundstykke, Møbel 38Mm	[3]
12	10949500	1	Fugemundstykke Ø38	
14	11476101	1	Mundstykke, Børster 38Mm	
15	11476000	1	Mundstykke, Tæppe 38Mm 400 Mm	
16	82169700	1	Mundst. 38Mm Gummi Olier.	
17	11346900	1	FLOOR NOZZ. 38MM 220MM WOOD	[4]
17	11347000	1	FLOOR NOZZ. 38MM 300MM WOOD	[4]
17	11346800	1	FLOOR NOZZ. 38MM 150MM WOOD	[5]
18	L00396349	1	FRENCH FLOOR NOZZLE HARD	[6]
19	12126800	1	Mundstykke, 38Mm 360Mm	
20	82191000	1	Rørmundst.38/100Mm	[7]
21	82191200	1	Mundstykke, Rør 38/200Mm	[7]
22	11339500	1	NOZZLE 38/400 ALU.	[1]
23	10957411	1	SWIVEL TOP 50MM ST. STEEL AND ALU. ST	[8]
23	10957400	1	Vippeled	
23A	42430906	1	NOZZLE PART WITH BRUSH GREEN FOR PIPE CL	[7]
23A	42430904	1	NOZZLE PART WITH BRUSH YELLOW FOR PIPE C	[7]
23A	42431005	1	FLOOR NOZZ PART WITH BRUSH RED	[9]
23A	42431106	1	FLOOR NOZZ PART WITH BRUSH GREEN	[7]
23A	42431004	1	FLOOR NOZZ PART WITH BRUSH YELLOW	[10]
23A	42431007	1	NOZZLE PART WITH BRUSH BLUE FOR PIPE CLE	
23A	42431104	1	FLOOR NOZZ PART WITH BRUSH YELLOW	[9]
23A	42430907	1	FLOOR NOZZ PART WITH BRUSH BLUE	
23A	42431107	1	FLOOR NOZZ PART WITH BRUSH BLUE 300MM	[11]
23A	42430905	1	NOZZLE PART WITH BRUSH RED FOR PIPE CLEA	[9]
23A	42431006	1	FLOOR NOZZ PART WITH BRUSH GREEN	[9]
23A	42431105	1	FLOOR NOZZ PART WITH BRUSH RED	[9]
24	32430801	1	FLOOR NOZZ PART WITH RAIL DARK GRE	[7]
24A	32430805	1	NOZZLE WITH LIPS RED. FDA. FLAT 300MM	[9]
24A	32430807	1	NOZZLE WITH LIPS BLUE. FDA. FLAT 300MM	[9]
24A	32430802	1	FLOOR NOZZ PART WITH RAIL BLAC	[7]
24A	32430804	1	NOZZLE PART WITH LIPS YELLOW FLAT 300MM	[9]
24A	32430806	1	NOZZLE PART WITH LIPS GREEN FLAT 300MM	[7]
24A	32430803	1	NOZZLE PART W.LIPS WHITE FLAT 300MM FDA	[7]
24A	32430801	1	FLOOR NOZZ PART WITH RAIL DARK GRE	[7]
25	10666400	1	MUNDSTYKKE T.RØR 600MM ½	[5]
25	10661600	1	MUNDSTYKKE T.RØR 200MM	[12]

Pos.	Vare-nr	Antal	Beskrivelse	Notes
25	42431100	1	FLOOR NOZZ PART WITH BRUSH GRE	[7]
25	10657900	1	MUNDSTYKKE T.RØR 400MM ½	[5]
25	42430900	1	NOZZLE PART WITH BRUSH GREY FOR PIPE CL	[7]
25A	42431001	1	FLOOR NOZZ PART WITH BRUSH DARK GREY	[9]
25A	42431000	1	FLOOR NOZZ PART WITH BRUSH GRE	[7]
25A	42431605	1	FLOOR NOZZ PART WITH BRUSH RED	[7]
25A	42431101	1	FLOOR NOZZ PART WITH BRUSH DARK GREY	[9]
25A	42430900	1	NOZZLE PART WITH BRUSH GREY FOR PIPE CL	[7]
25A	42430902	1	NOZZLE PART WITH BRUSH BLACK FOR PIPE C	[7]
25A	42431100	1	FLOOR NOZZ PART WITH BRUSH GRE	[7]
25A	42431604	1	NOZZLE PART WITH BRUSH YELLOW FLAT 300MM	[7]
25A	42431102	1	FL. NOZZ. PART WITH BRUSH BLAC	
25A	42431002	1	NOZZLE PART WITH BRUSH BLACK FOR PIPE C	[7]
25A	42431607	1	FLOOR NOZZ PART WITH BRUSH	[7]
25A	42430901	1	FLOOR NOZZ PART WITH BRUSH DARK GREY	[9]
25A	42431606	1	FLOOR NOZZ PART WITH BRUSH GREE	[7]
26	10674800	1	MUNDSTYKKE T RØR 300MM ½	[13]
26	10674700	1	MUNDSTYKKE T.RØR 200MM ½	[14]
26	10675000	1	MUNDSTYKKE T.RØR 600MM ½	[5]
26	10674600	1	MUNDSTYKKE T.RØR 100MM ½	[15]
26	10674900	1	MUNDSTYKKE T.RØR 400MM ½	[5]
26A	32430305	1	NOZZLE PART WITH LIPS RED FOR PIPE CLEAN	[9]
26A	32430205	1	FLOOR NOZZ PART WITH RAIL RED	[9]
26A	32430203	1	FLOOR NOZZ PART WITH RAIL WHITE	[7]
26A	32430306	1	FLOOR NOZZ PART WITH RAIL GREEN	[7]
26A	32430106	1	FLOOR NOZZ PART WITH RAIL GREEN	[7]
26A	32430201	1	FLOOR NOZZ PART WITH RAIL DARK GREY	[9]
26A	32430102	1	FLOOR NOZZ PART WITH RAIL BLACK	[7]
26A	32430101	1	FLOOR NOZZ PART WITH RAIL DARK GREY	[7]
26A	32430301	1	FLOOR NOZZ PART WITH RAIL DARK GREY	[7]
26A	32430104	1	NOZZLE PART WITH LIPS YELLOW FOR PIPE CL	[9]
26A	32430207	1	FLOOR NOZZ PART WITH RAIL BLUE	[9]
26A	32430107	1	FLOOR NOZZ PART WITH RAIL BLUE	[7]
26A	32430304	1	FLOOR NOZZ PART WITH RAIL YELLOW	[7]
26A	32430202	1	FLOOR NOZZ. WITH RAIL BLACK ESD	[7]
26A	32430303	1	FLOOR NOZZ PART WITH RAIL WHITE	[7]
26A	32430103	1	FLOOR NOZZ PART WITH RAIL WHITE	[7]
26A	32430307	1	FLOOR NOZZ PART WITH RAIL BLUE	[7]
26A	32430204	1	FLOOR NOZZ PART WITH RAIL YELLOW	[7]
26A	32430206	1	FLOOR NOZZ PART WITH RAIL GREEN	[7]
26A	32430302	1	FLOOR NOZZ PART WITH RAIL BLACK	[9]
26A	32430105	1	FLOOR NOZZ PART WITH RAIL RED	[9]
27	10647500	1	MUNDSTYKKE	[5]
28	10647300	1	BASE FLOOR NOZZ. 150MM WOOD	[5]
28	10651600	1	BASE FLOOR NOZZ. 300MM WOOD	[16]
28	42431602	1	NOZZLE PART W.BRIST.BLACK FLAT 300MM ESD	
28A	42431602	1	NOZZLE PART W.BRIST.BLACK FLAT 300MM ESD	
28A	42431602	1	NOZZLE PART W.BRIST.BLACK FLAT 300MM ESD	
28A	42431601	1	NOZZLE PART WITH BRUSH DARK GREEN FLAT	[7]
30	22430303	1	NOZZLE LIPS 38MM ST. STEEL FOR PIPE 300M	[17]
30	22430305	1	NOZZLE LIPS 38MM ST. STEEL FOR PIPE 300M	[17]
30	22430106	1	NOZZLE LIPS 38MM ST. STEEL FOR PIPE 100M	[17]
30	22430101	1	NOZZLE LIPS 38MM ST. STEEL FOR PIPE 100M	[17]
30	22430203	1	NOZZLE LIPS 38MM ST. STEEL FOR PIPE 200M	[17]
30	22430206	1	NOZZLE LIPS 38MM ST. STEEL FOR PIPE 200M	[17]
30	22430105	1	NOZZLE LIPS 38MM ST. STEEL FOR PIPE 100M	[17]
30	22430304	1	NOZZLE LIPS 38MM ST. STEEL FOR PIPE 300M	[17]
30	22430103	1	NOZZLE LIPS 38MM ST. STEEL FOR PIPE 100M	[17]
30	22430207	1	NOZZLE LIPS 38MM ST. STEEL FOR PIPE 200M	[17]

Pos.	Vare-nr	Antal	Beskrivelse	Notes
30	22430306	1	NOZZLE LIPS 38MM ST. STEEL FOR PIPE 300M	[17]
30	22430107	1	NOZZLE LIPS 38MM ST. STEEL FOR PIPE 100M	[17]
30	22430302	1	NOZZLE LIPS 38MM FE/ZN FOR PIPE 300MM BL	[17]
30	22430204	1	NOZZLE LIPS 38MM ST. STEEL FOR PIPE 200M	[17]
30	22430102	1	NOZZLE LIPS 38MM FE/ZN FOR PIPE 100MM BL	[17]
30	22430202	1	NOZZLE LIPS 38MM FE/ZN FOR PIPE 200MM BL	[17]
30	22430307	1	NOZZLE LIPS 38MM ST. STEEL FOR PIPE 300M	[17]
30	22430205	1	NOZZLE LIPS 38MM ST. STEEL FOR PIPE 200M	[17]
30	22430301	1	NOZZLE LIPS 38MM ST. STEEL FOR PIPE 100M	[17]
30	22430201	1	NOZZLE LIPS 38MM ST. STEEL FOR PIPE 200M	[17]
30	22430104	1	NOZZLE LIPS 38MM ST. STEEL FOR PIPE 100M	[17]
31	22430904	1	NOZZLE BRUSH 38MM ST. STEEL FOR PIPE 100	[17]
31	22430901	1	NOZZLE BRUSH 38MM ST. STEEL FOR PIPE 100	[17]
31	22431000	1	NOZZLE BRUSH 38MM FE/ZN FOR PIPE 200MM G	[17]
31	22431007	1	NOZZLE BRUSH 38MM ST. STEEL FOR PIPE 200	[18]
31	22430906	1	NOZZLE BRUSH 38MM ST. STEEL FOR PIPE 100	[17]
31	22431006	1	NOZZLE BRUSH 38MM ST. STEEL FOR PIPE 200	[17]
31	22431107	1	NOZZLE BRUSH 38MM ST. STEEL FOR PIPE 300	[17]
31	22431002	1	NOZZLE BRUSH 38MM FE/ZN FOR PIPE 200MM B	[17]
31	22431004	1	NOZZLE BRUSH 38MM ST. STEEL FOR PIPE 200	[17]
31	22431105	1	NOZZLE BRUSH 38MM ST. STEEL FOR PIPE 300	[17]
31	22431101	1	NOZZLE BRUSH 38MM ST. STEEL FOR PIPE 300	[17]
31	22430905	1	NOZZLE BRUSH 38MM ST. STEEL FOR PIPE 100	[17]
31	22431104	1	NOZZLE BRUSH 38MM ST. STEEL FOR PIPE 300	[17]
31	22431102	1	NOZZLE BRUSH 38MM FE/ZN FOR PIPE 300MM B	[17]
31	22430900	1	NOZZLE BRUSH 38MM FE/ZN FOR PIPE 100MM G	[17]
31	22431001	1	NOZZLE BRUSH 38MM ST. STEEL FOR PIPE 200	[17]
31	22431100	1	NOZZLE BRUSH 38MM FE/ZN FOR PIPE 300MM G	
31	22430907	1	NOZZLE BRUSH 38MM ST. STEEL FOR PIPE 100	[17]
31	22431106	1	NOZZLE BRUSH 38MM ST. STEEL FOR PIPE 300	[17]
31	22431005	1	NOZZLE BRUSH 38MM ST. STEEL FOR PIPE 200	[17]
31	22430902	1	NOZZLE BRUSH 38MM FE/ZN FOR PIPE 100MM B	[17]
32	22430801	1	NOZZLE LIPS 38MM ST. STEEL FLAT 300MM DA	[17]
32	22430807	1	NOZZLE LIPS 38MM ST. STEEL FLAT 300MM BL	[17]
32	22430803	1	NOZZLE LIPS 38MM ST. STEEL FLAT 300MM WH	[17]
32	22430806	1	NOZZLE LIPS 38MM ST. STEEL FLAT 300MM GR	[17]
32	22430805	1	NOZZLE LIPS 38MM ST. STEEL FLAT 300MM RE	[17]
32	22430802	1	NOZZLE LIPS 38MM FE/ZN FLAT 300MM BLACK	[17]
32	22430804	1	NOZZLE LIPS 38MM ST. STEEL FLAT 300MM YE	[17]
33	22431606	1	NOZZLE BRUSH 38MM ST. STEEL FLAT 300MM G	[17]
33	22431601	1	NOZZLE BRUSH 38MM ST. STEEL FLAT 300MM D	[17]
33	22431602	1	NOZZLE BRUSH 38MM FE/ZN FLAT 300MM BLACK	
33	22431604	1	NOZZLE BRUSH 38MM ST. STEEL FLAT 300MM Y	[17]
33	22431607	1	NOZZLE BRUSH 38MM ST. STEEL FLAT 300MM B	[17]
33	22431600	1	NOZZLE BRUSH 38MM FE/ZN FLAT 300MM GREY	[19]
33	22431605	1	NOZZLE BRUSH 38MM ST. STEEL FLAT 300MM R	

Part Notes:

- [1] - CLOSED BY VENDOR
- [2] - 4072400262 antistatic version
- [3] - SEE PB14-2012
- [4] - 22431600, TSB 2003-001
- [5] - TSB 2003-001
- [6] - SEE HOSE/NOZZLE PROGRAM
- [7] - CONTACT PM IN ZOCCA
- [8] - CONTACT PM ZOCCA
- [9] - ACCESSORIES OUTPHASED
- [10] - NO MORE AVAILABLE
- [11] - NO LONGER AVAILABLE

- [12] - 42431000,TSB 2003-001
- [13] - 32430301,TSB 2003-001
- [14] - 32430201,TSB 2003-001
- [15] - 32430101,TSB 2003-001
- [16] - 42431600,TSB 2003-001
- [17] - Nilfisk-CFM Acc. Program
- [18] - COMPONENTS CLOSED
- [19] - PRUNED ACCESSORY

Inlet/coupling/ versus Model																
		GB 1033   GB 933	GB 833   GB 733	GB 826   GB 726   GB 725	GM 626   GM 625	GS/GM 83	GS/GM 82	GS/GM 81	GA 70	GV 920/ 940	IW 2050	IW 1040	GW 1020/ 1030	GV 21	GT 31	
100mm	p. 2	■	■													
70mm	p. 4		■													
50mm	p. 5		■	■	■	■	■	■	■							
38mm steel/brass	p. 7														■	■
38mm GD	p. 9															
38mm GS	p. 10															
38mm Push-pull	p. 11															

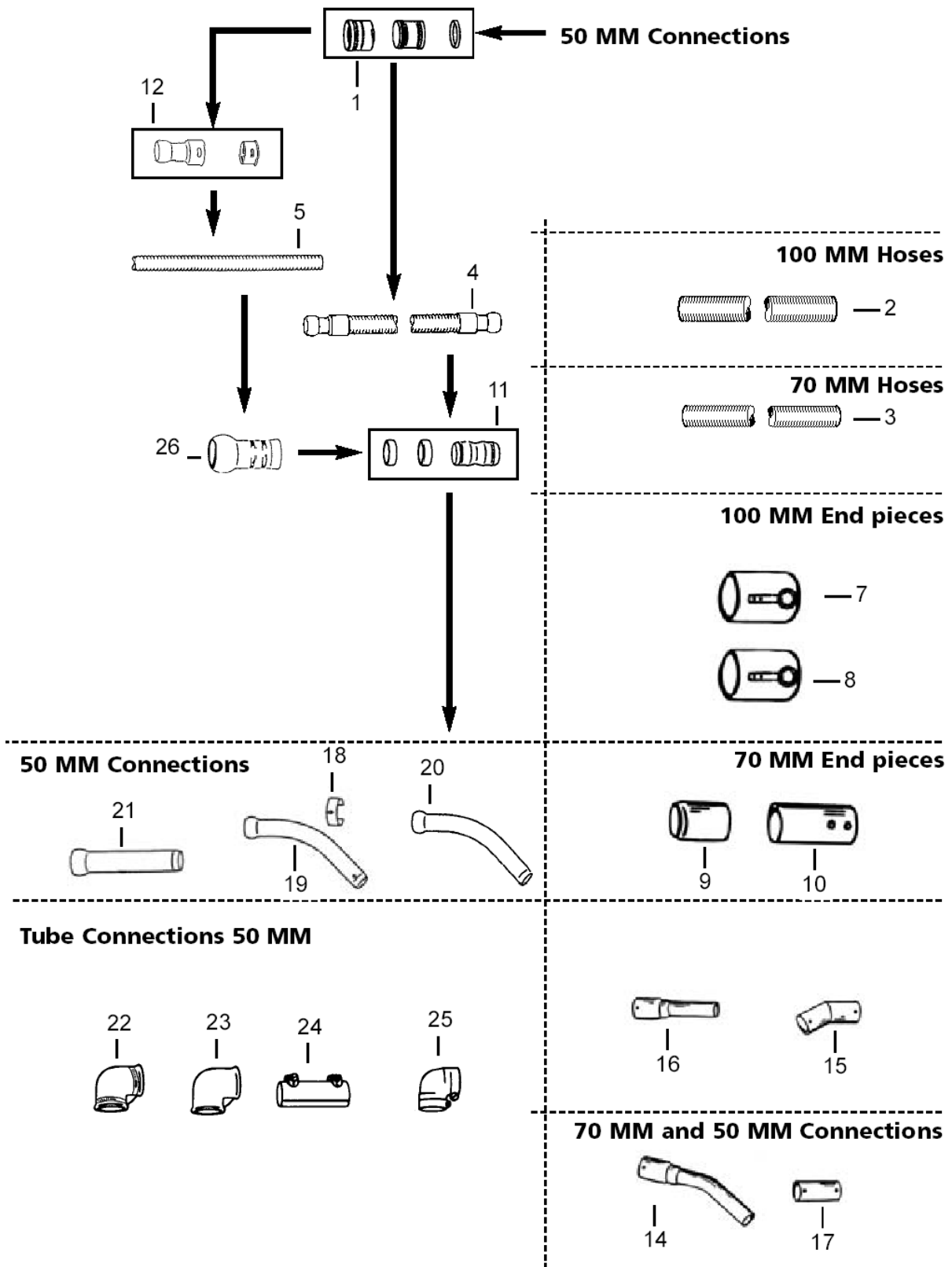
Resource notes:

---

Pos.	Vare-nr	Antal	Beskrivelse	Notes
00		0	See part list with nozzle	[1]

## Part Notes:

[1] - See part list with nozzle



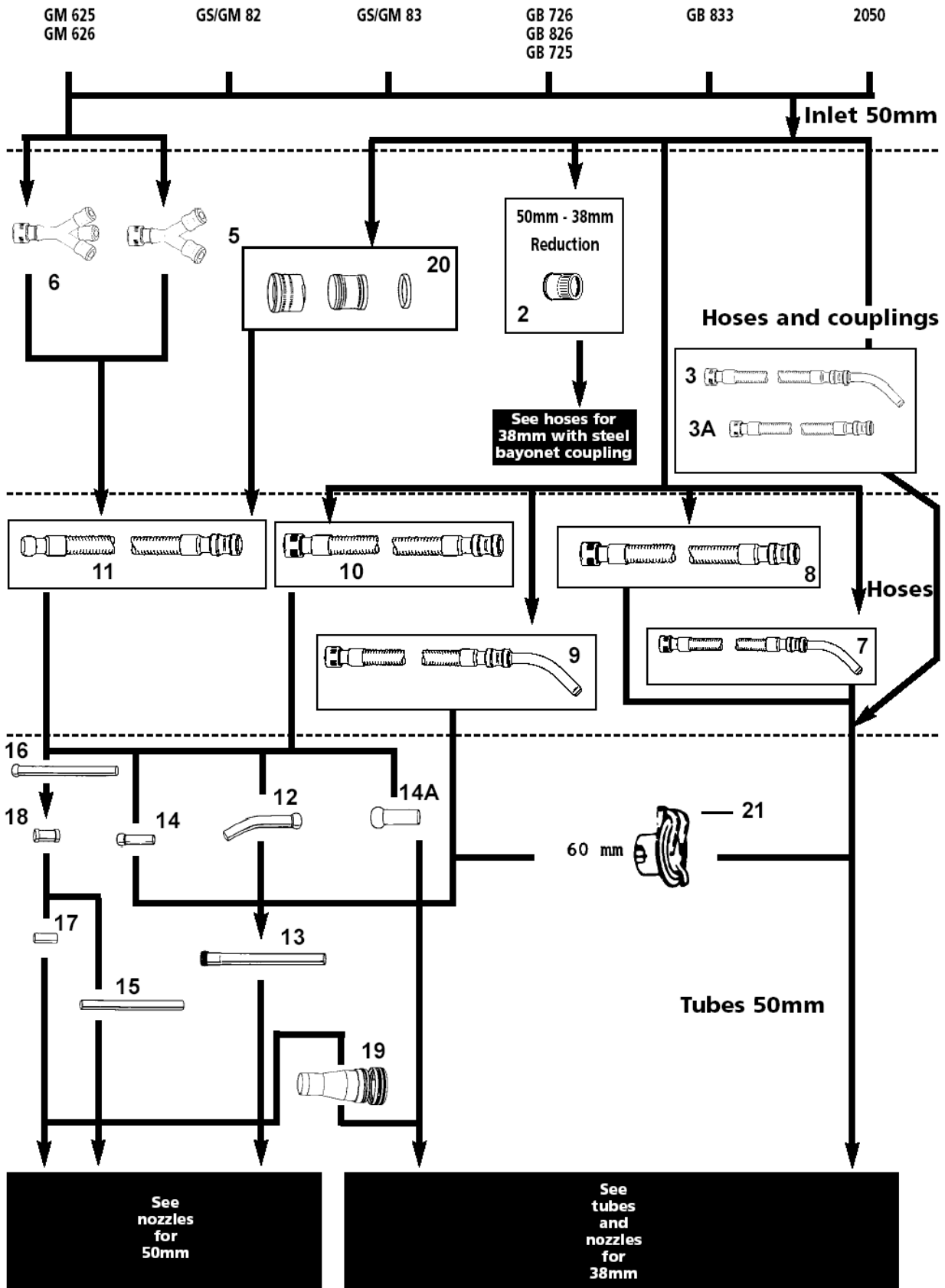
Resource notes:



Pos.	Vare-nr	Antal	Beskrivelse	Notes
01	22344200	1	Kobling, Bajonet 50Mm	
02	82359300	1	POLYURETHAN HOSE Ø100X15M	[1]
02	82351600	1	PLASTIC HOSE Ø 100MMX10M COND	[2]
03	82359200	1	POLYURETHAN HOSE Ø70X15M	[2]
03	82351500	1	PLASTHOSE Ø 70MMX10M CONDU	[3]
04	61604100	1	HOSE 50MM/3M PLAST. BALLS	[4]
04	82246300	1	HOSE 50/3M CON BALLS	[5]
04	L02159800	1	HOSE 50MM/2M MET	
04	82246400	1	HOSE 50/10M CON. BALLS	[5]
04	82256300	1	HOSE 50/10M PLAST. BALLS	[5]
04	82290800	1	HOSE 50MM/10M OIL BALL	[5]
04	L03066303	1	Slange, 50Mm 3M Komp. Pur-H	[2]
04	82290600	1	HOSE 50/3M OIL BALLS	[5]
04	82246200	1	HOSE 50/2M CON. BALLS	[5]
04	82290700	1	HOSE 50/5M OIL BALLS	[5]
04	82256100	1	HOSE 50/5M PLAST. BALLS	[5]
04	82290500	1	HOSE 50/2M OIL BALLS	[5]
04	82246500	1	HOSE 50/5M CON. BALLS	[5]
04	20624200	1	Slange 2M.50Mm Gummi Med Kuglestuds	[6]
04	82255900	1	HOSE 50/2M PLAST. BALLS	[5]
04	4072400221	1	Slange, gummi Ø50 3 meter + adapter	
04	L02159900	1	METAL HOSE 3M/50MM	[2]
05	82309500	1	HOSE,OIL RESIST,50MMX 25METERS	
05	82295700	1	Slange 50Mm 25Mtr, Plast	
05	82359100	1	Polyurethan Hose Ø50X15M	[2]
05	82309700	1	Slange,25M Ø50 Antistat.	
06	03066000	1	METALL-INNENTULLE 100MM	[7]
07	L03056100	1	CONNECTION FOR HOSE D100	[2]
08	L03056101	1	HOSE .E 100MM WITH RA 15M	[2]
09	L03066100	1	PLASTIK-MANSCHETTE 70MM	[8]
10	L03056000	1	CONNECTION FOR HOSE D70	[2]
11	22339700	1	Muff Kit 50 Mm	
12	22340500	1	Kugle+Studs Blå Olie 50Mm	[3]
12	22340300	1	Ball Joint/Bush Kit Black	
12	22340100	1	Kugle + Studs Kit-Grå 50	
13	31080200	1	Slangestuds 50Mm	
14	L03056600	1	BENT PIPE 70 /50	[2]
15	L03056203	1	BENT SLEEVE FOR PIPE 70/ 7	[9]
16	L03057400	1	STRAIGHT PIPE 70/50	[2]
17	L03056200	1	SLEEVE FOR PIPE 70 /70	
18	31316900	1	Fjeder For Buet Rør 50Mm	[9]
19	21318100	1	PIPE BENT 50MM SPRING LOCK	[8]
20	10624400	1	Buet Rør 50Mm	
21	10984600	1	Rør 38Mm, 210Mm	

## Part Notes:

- [1] - NO DIRECT REPLACEMENT
- [2] - CONTACT PM IN ZOCCA
- [3] - NO MORE AVAILABLE
- [4] - Nilfisk-CFM Acc. Program OUT OF PRODUCTION
- [5] - Nilfisk-CFM Acc. Program
- [6] - GUARANTEE DATE EXPIRED
- [7] - Machine outphased 2007
- [8] - NO REPLACEMENT FOR PART
- [9] - STOCK COVERS GUARANTEE



Resource notes:

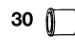
Pos.	Vare-nr	Antal	Beskrivelse	Notes
01	22344200	1	Kobling, Bajonet 50Mm	
02	10960900	1	Reduktionsfatning 50/38	
03	11605200	1	HOSE 50/38 2.6M COMPLETE.	[1]
03	11605500	1	HOSE 38/50 2.6 PL BA+SLEEVE.	[1]
04	22339700	1	Muff Kit 50 Mm	
05	L02150900	1	FORK Ø50/2XØ50 MD	[2]
06	L02151000	1	FORK Ø50/3XØ50 MD	[2]
07	12167700	1	HOSE 38 PUR PIPE+50MMBAY.	[1]
08	82184700	1	HOSE 38MM PUR NOZZLE+50 BAY.	[3]
09	11604000	1	HOSE 50MM/3M PLAST. BAY. +PIPE	[1]
09	11382000	1	2M X 50MM RUBBER HOSE W/ STEEL CURVED TU	[1]
09	122448000	1		
09	12248400	1	HOSE 50/5M CON. COMPLETE	[1]
09	12292600	1	HOSE 50/2M OIL COMPLETE	[1]
09	12293000	1	HOSE 50/5M OIL COMPLETE	[1]
09	12331100	1	HOSE 50MM 2M COMPLETE	[1]
09	12167200	1	HOSE 50/3M PUR COMPLETE	[1]
09	12293200	1	HOSE 50/10M OIL COMPLETE	[1]
09	12248200	1	HOSE 50/3M CON. COMPLETE	[1]
09	12331300	1	HOSE 50/10M COMPLETE	[1]
09	12331200	1	HOSE 50/5M COMPLETE	[1]
09	12248600	1	HOSE 50/10M CON COMPLETE	[1]
09	12292800	1	HOSE 50/3M OIL COMPLETE	[1]
09	11382100	1	3M X 50MM RUBBER HOSE W/ STEEL CURVED TU	[1]
10	82184600	1	HOSE 50/3M PUR BAYONET +NOZZLE	[1]
10	12248300	1	HOSE 50/3M CON.BAYONET +NOZZLE	[1]
10	12248500	1	HOSE 50/5M CON. BAYONET +NOZZLE	[1]
10	12256200	1	HOSE 50/5M PLAST. BAYONET +NOZZLE	[1]
10	12292900	1	HOSE 50/3M OIL BAY.0+NOZZLE	[1]
10	12256000	1	HOSE 50/2M PLAST. BAYONET +NOZZLE	[1]
10	12293300	1	HOSE 50/10M OIL BAY.+SLEEVE	[1]
10	12256400	1	HOSE 50/10M PLAST. BAY.+SLEEVE	[1]
10	12248100	1	HOSE 50/2M CON. BAYONET +NOZZLE	[1]
10	L02156000	1	METAL HOSE Ø50/3M	[4]
10	12292700	1	HOSE 50/2M OIL BAYONET +NOZZLE	[1]
10	21604200	1	HOSE 50MM/3M PLAST. BAY. +NOZZLE	[5]
10	10624300	1	HOSE 50MM 2M RUBBER BAY.+SLEEVE.	[1]
10	12248700	1	HOSE 50/10M CON. BAY.+SLEEVE	[1]
10	12293100	1	HOSE 50/5M OIL BAYONET +NOZZLE	[1]
11	82246301	1	HOSE 50/3M CON BALL+SLEEVE	[1]
11	32331400	1	HOSE 50/2M COMPLETE	[1]
11	32331600	1	HOSE 50/10M PLAST. BALL+SLEEVE	[1]
11	82290601	1	HOSE 50/3M OIL BALL+SLEEVE	[1]
11	32331500	1	HOSE 50/5M BALL+SLEEVE	[1]
11	82246501	1	HOSE 50/5M CON. BALL+SLEEVE	[1]
11	82246401	1	Slange, 50Mm Plast 10 Mtr Kugle+Muffe	[1]
11	82290801	1	HOSE 50/10M OIL BALL+SLEEVE	[1]
11	31803200	1	HOSE 50 MM 3 M	[1]
11	82290701	1	HOSE 50/5M OIL BALL+SLEEVE	[1]
11	10629700	1	HOSE 50MM/3M RUBBER BALL+SLEEVE	[1]
11	L02156000	1	METAL HOSE Ø50/3M	[4]
11	82246201	1	HOSE 50/2M CON BALL+SLEEVE	[1]
11	82290501	1	HOSE 50/2M OIL BALL+SLEEVE	[1]
11	82344900	1	HOSE 50/3M PUR BALL+SLEEVE 3M	[1]
11	10696500	1	HOSE 50MM 2M RUBBER NOZZ. F+KU	[1]
12	10624400	1	Buet Rør 50Mm	
13	10686400	1	Stålrør 50Mm X 1M Stål	
14	10645800	1	Rør, 50Mm 19Cm	
15	80652700	1	Rør 1M Etronit	

---

Pos.	Vare-nr	Antal	Beskrivelse	Notes
16	80691600	1	Rør 1M Etronit Med Kugle	[2]
17	80649300	1	ETRONITE PIPE 50MM L 120MM	[2]


## Part Notes:

- [1] - Nilfisk-CFM Acc. Program
- [2] - CONTACT PM IN ZOCCA
- [3] - Alternative from Nilfisk-CFM Acc program
- [4] - L02159900+22344200+22339700
- [5] - No replacement for part



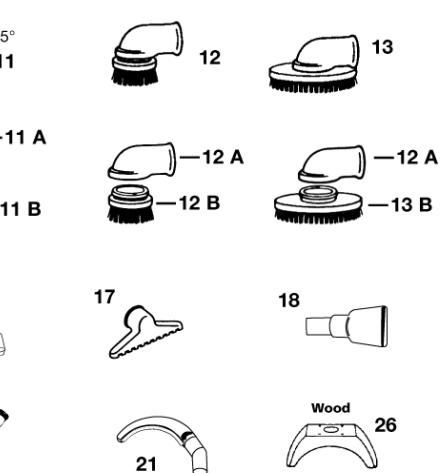
30

See hoses connection diagram for 38mm



8

See hoses connection diagram for 50mm



45° 11 12 13


11 A 12 A 13 A

11 B 12 B 13 B

14 17 18

19 21 Wood 26

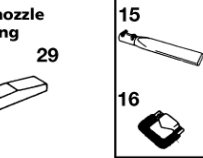
**Fixed floor nozzle**



9 10

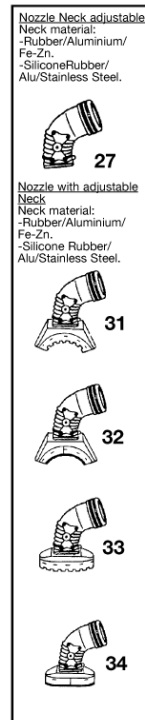
Ref. No	For models	Serial No.
11669000	GM 625	101 - 3434
11669000	GB 725	101 - 1002
11839000	GM 625	3435 -
11839000	GM 725	1003 -
11839000	GM 626/GM 726	1001 -
11839000	GB 826	1001 -

**Wooden nozzle for cleaning ovens**



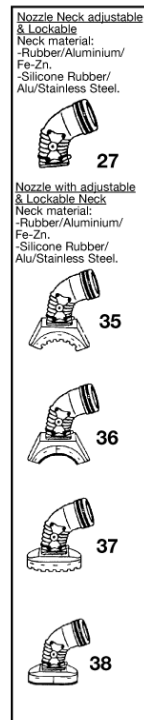
29 15 16

**Nozzle Neck adjustable**  
Neck material:  
-Rubber/Aluminium/  
Fe-Zn.  
-Silicone/Rubber/  
Alu/Stainless Steel.



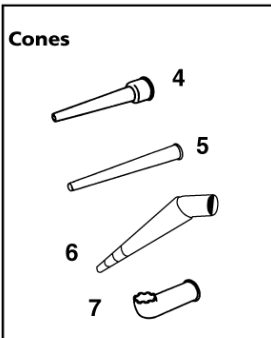
27 31 32 33 34

**Nozzle Neck adjustable & Lockable**  
Neck material:  
-Rubber/Aluminium/  
Fe-Zn.  
-Silicone Rubber/  
Alu/Stainless Steel.



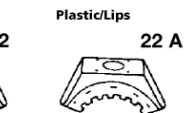
27 35 36 37 38

**Cones**



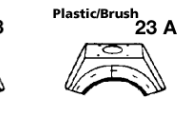
4 5 6 7

**Wood/plastic blades** 22 **Plastic/Lips** 22 A



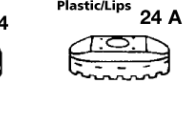
22 22 A

**Wood/brush** 23 **Plastic/Brush** 23 A




23 23 A

**Wood/plastic blades** 24 **Plastic/Lips** 24 A



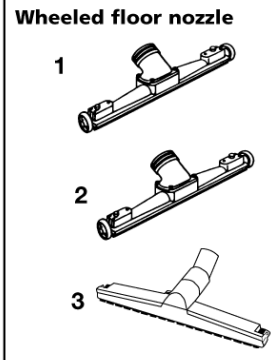
24 24 A

**Wood/brush** 25 **Plastic/Brush** 25 A



25 25 A

**Wheeled floor nozzle**



1 2 3

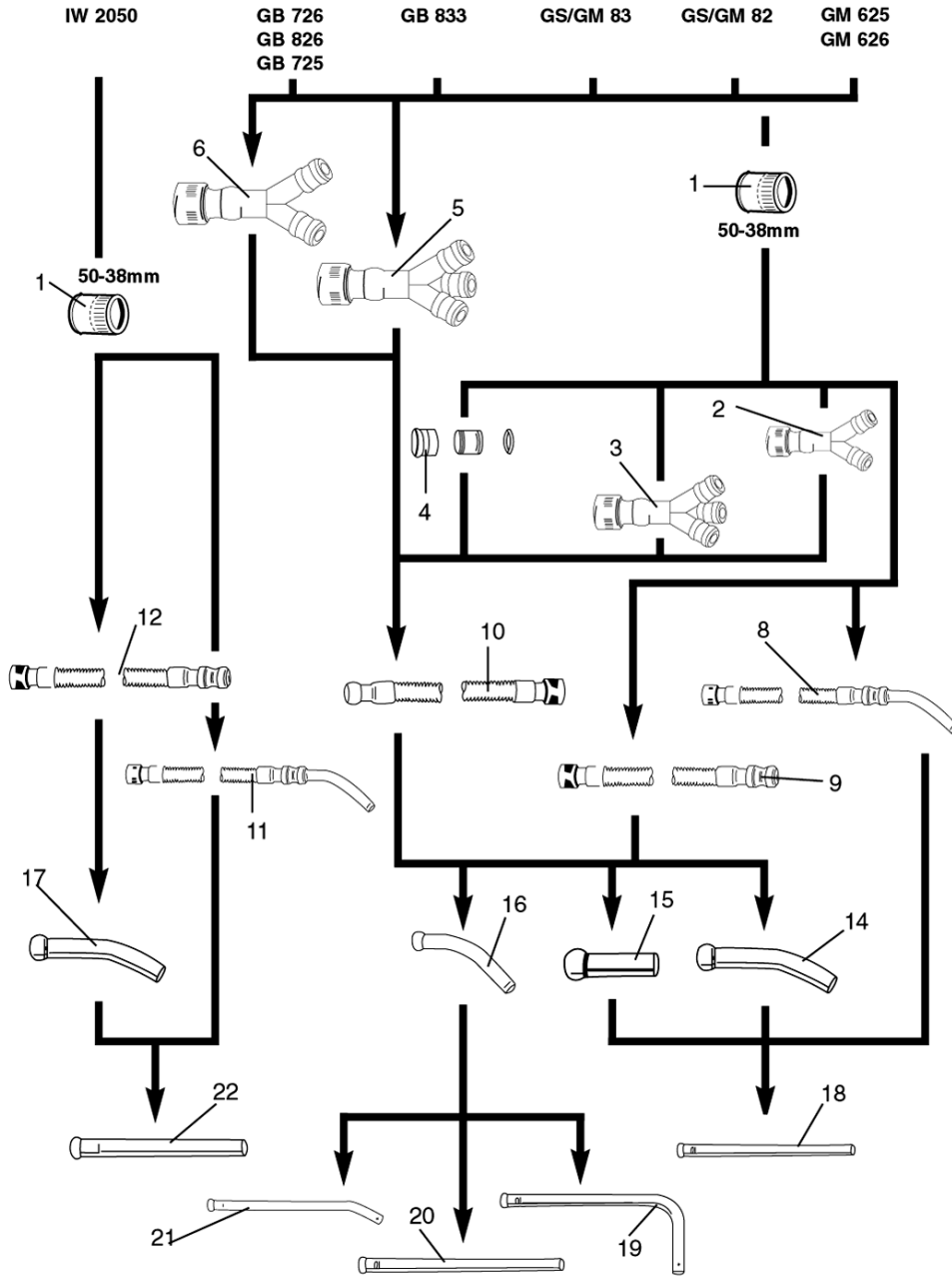
Resource notes:

Pos.	Vare-nr	Antal	Beskrivelse	Notes
01	10915000	1	FLOOR NOZZLE 50 ALU. 400	[1]
02	82226700	1	Mundstykke, Gulv 50Mm Våd 500Mm Bred	
03	82226700	1	Mundstykke, Gulv 50Mm Våd 500Mm Bred	
04	L02650900	1	Mundstykke, Sort Gum. 50Mm	
04	80650900	1	Mundstykke konisk gummi NBR 245 mm Ø50	
05	80691100	1	Mundstykke konisk gummi NBR 500 mm Ø50	
06	82167400	1	Mundstykke konisk gummi olieresis. Ø50	
07	80654600	1	Mundstykke Gummi	
08	11372800	1	Mundstykke, Beholder Gs82	[2]
08	12294500	1	NOZZLE 50MM 500MM LIPS+BRUSH	[1]
09	11372900	1	Mundstykke, Beh.83/833	
09	12294600	1	NOZZLE 50MM 750MM BRUSH+LIPS	[1]
10	11669000	1	FLOOR NOZZ. . 50MM 750MM	[1]
10	11839000	1	NOZZLE.GM625/GB725 750MM	[1]
11	4072200570	1	Rundbørste sort NBR 70 mm Ø50	
12	11344600	1	ROUND BRUSH 75MM	
13	11344700	1	OVAL BRUSH 150MM	
14	L02122400	1	Alu. Mundstykke	[3]
15	10643300	1	Mundstykke, Fuge	
16	10654100	1	Børstekrans	[4]
17	80640500	1	Mundstykke gummi NBR grå 200 mm Ø50	
17	80640501	1	Mundstykke AS gummi olieres. 200 mm Ø50	
18	L02122200	1	Mundstykke Ø50 mm	[3]
18	82167300	1	Mundstykke PVC 25x90mm olieresistent Ø50	
19	L03058201	1	SUGEDYSE 50MM 40X250MM	[3]
20	11344800	1	NOZZLE 50MM WOOD 150MM	[5]
21	Z7 22131	1	Rørbørste Ø100 Ø50 mm	[6]
21	82191300	1	Rørmundsty.50/200Mm	[7]
23A	42431107	1	FLOOR NOZZ PART WITH BRUSH BLUE 300MM	[8]
23A	42431105	1	FLOOR NOZZ PART WITH BRUSH RED	[9]
23A	42430904	1	NOZZLE PART WITH BRUSH YELLOW FOR PIPE C	[3]
23A	42430905	1	NOZZLE PART WITH BRUSH RED FOR PIPE CLEA	[9]
23A	42431006	1	FLOOR NOZZ PART WITH BRUSH GREEN	[9]
23A	42431104	1	FLOOR NOZZ PART WITH BRUSH YELLOW	[9]
23A	42430906	1	NOZZLE PART WITH BRUSH GREEN FOR PIPE CL	[3]
23A	42430907	1	FLOOR NOZZ PART WITH BRUSH BLUE	
23A	42431106	1	FLOOR NOZZ PART WITH BRUSH GREEN	[3]
23A	42431005	1	FLOOR NOZZ PART WITH BRUSH RED	[9]
23A	42431004	1	FLOOR NOZZ PART WITH BRUSH YELLOW	[4]
23A	42431007	1	NOZZLE PART WITH BRUSH BLUE FOR PIPE CLE	
25A	42431606	1	FLOOR NOZZ PART WITH BRUSH GREE	[3]
25A	42431605	1	FLOOR NOZZ PART WITH BRUSH RED	[3]
25A	42431604	1	NOZZLE PART WITH BRUSH YELLOW FLAT 300MM	[3]
25A	42431607	1	FLOOR NOZZ PART WITH BRUSH	[3]
32	22432606	1	NOZZLE BRUSH50MM ST. STEEL FOR PIPE 300M	[1]
32	22432407	1	NOZZLE BRUSH50MM ST. STEEL FOR PIPE 100M	[1]
32	22432404	1	NOZZLE BRUSH50MM ST. STEEL FOR PIPE 100M	[1]
32	22432405	1	NOZZLE BRUSH50MM ST. STEEL FOR PIPE 100M	[1]
32	22432505	1	NOZZLE BRUSH50MM ST. STEEL FOR PIPE 200M	[1]
32	22432504	1	NOZZLE BRUSH50MM ST. STEEL FOR PIPE 200M	[1]
32	22432507	1	NOZZLE BRUSH50MM ST. STEEL FOR PIPE 200M	[1]
32	22432605	1	NOZZLE BRUSH50MM ST. STEEL FOR PIPE 300M	[1]
32	22432406	1	NOZZLE BRUSH50MM ST. STEEL FOR PIPE 100M	[1]
32	22432607	1	NOZZLE BRUSH50MM ST. STEEL FOR PIPE 300M	[1]
32	22432604	1	NOZZLE BRUSH50MM ST. STEEL FOR PIPE 300M	[1]
32	22432506	1	NOZZLE BRUSH50MM ST. STEEL FOR PIPE 200M	[1]
34	22432906	1	NOZZLE BRUSH50MM ST. STEEL FLAT 300MM G	[4]
34	22432904	1	NOZZLE BRUSH50MM ST. STEEL FLAT 300MM YE	[1]
34	22432905	1	NOZZLE BRUSH50MM ST. STEEL FLAT 300MM R	[3]

Pos.	Vare-nr	Antal	Beskrivelse	Notes
34	22432907	1	Mundst.Børste50Mm Rustfri Fladt 300Mm Bl	
36	22433904	1	NOZZLE BRUSH50MM ST. STEEL FOR PIPE 300M	[1]
36	22433807	1	NOZZLE BRUSH50MM ST. STEEL FOR PIPE 200M	[1]
36	22433804	1	NOZZLE BRUSH50MM ST. STEEL FOR PIPE 200M	[1]
36	22433907	1	NOZZLE BRUSH50MM ST. STEEL FOR PIPE 300M	[1]
36	22433806	1	NOZZLE BRUSH50MM ST. STEEL FOR PIPE 200M	[1]
36	22433906	1	NOZZLE BRUSH50MM ST. STEEL FOR PIPE 300M	[1]
36	22433705	1	NOZZLE BRUSH50MM ST. STEEL FOR PIPE 100M	[1]
36	22433707	1	NOZZLE BRUSH50MM ST. STEEL FOR PIPE 100M	[1]
36	22433704	1	NOZZLE BRUSH50MM ST. STEEL FOR PIPE 100M	[1]
36	22433905	1	NOZZLE BRUSH50MM ST. STEEL FOR PIPE 300M	[1]
36	22433706	1	NOZZLE BRUSH50MM ST. STEEL FOR PIPE 100M	[1]
36	22433805	1	NOZZLE BRUSH50MM ST. STEEL FOR PIPE 200M	[1]
38	22434205	1	NOZZLE BRUSH50MM ST. STEEL FLAT 300MM RE	[1]
38	22434204	1	NOZZLE BRUSH50MM ST. STEEL FLAT 300MM YE	[10]
38	22432907	1	Mundst.Børste50Mm Rustfri Fladt 300Mm Bl	
38	22434206	1	NOZZLE BRUSH50MM ST. STEEL FLAT 300MM GR	[1]

## Part Notes:

- [1] - Nilfisk-CFM Acc. Program
- [2] - CLOSED WHEN STOCK EMPTY
- [3] - CONTACT PM IN ZOCCA
- [4] - NO MORE AVAILABLE
- [5] - No replacement
- [6] - GREY
- [7] - BLACK  
CONTACT PM IN ZOCCA
- [8] - NO LONGER AVAILABLE
- [9] - ACCESSORIES OUTPHASED
- [10] - No replacement part



Resource notes:

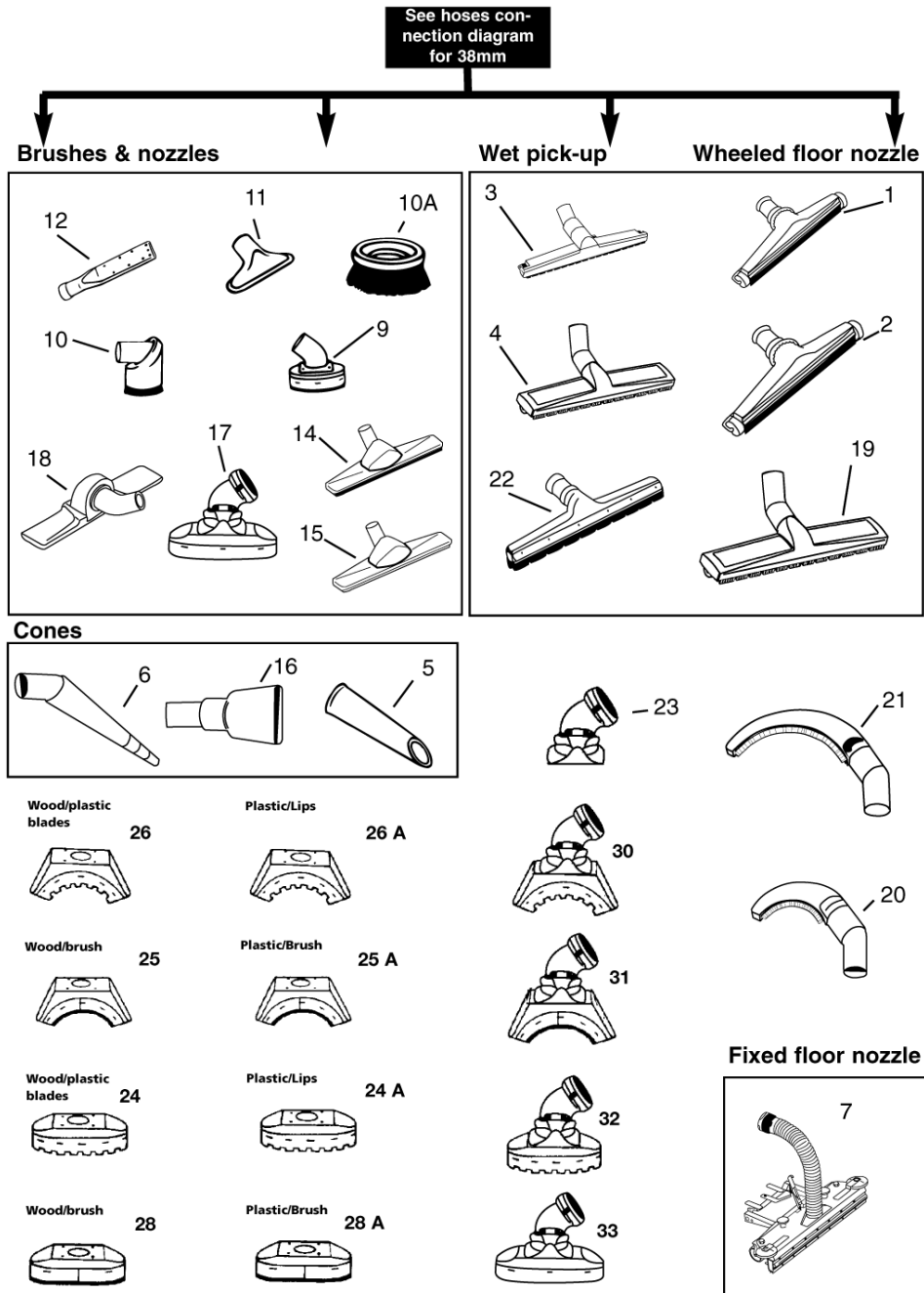


Pos.	Vare-nr	Antal	Beskrivelse	Notes
01	10960900	1	Reduktionsfatning 50/38	
02	10960900	1	Reduktionsfatning 50/38	
03	22329900	1	Kobling, Bajonet 38Mm Stål	
04	22344200	1	Kobling, Bajonet 50Mm	
05	L02150800	1	FORK Ø50/2XØ38 MD	[1]
06	L02151300	1	FORK Ø50/3XØ38 MD	[2]
07	10960900	1	Reduktionsfatning 50/38	
08	82343400	1	HOSE 38MM/5M COMPLETE PLASTIC GREY	[3]
08	12291800	1	HOSE 38/5M OIL COMPLETE	[3]
08	12247000	1	HOSE 38/2M CON COMPLETE	[3]
08	11602500	1	HOSE 38/2M PLAST. COMPLETE	[3]
08	12247600	1	HOSE 38/10M CON. COMPLETE.	[3]
08	11381600	1	HOSE 38/2M RUBBER COMPLETE	[3]
08	11603000	1	HOSE 38/3M PLAST. COMPLETE	[3]
08	12247200	1	HOSE 38/3M CON. COMPLETE	[3]
08	12247400	1	HOSE 38/5M CON. COMPLETE	[3]
08	12291000	1	Slange 38/2M Oil Komp.	[3]
08	12291400	1	HOSE 38/3M OIL COMPLETE	[3]
08	11381700	1	HOSE 38/3M RUBBER COMPLETE	[3]
08	12292200	1	HOSE 38/10 OIL COMPLETE	[3]
09	12247100	1	HOSE 38/2M CON. BAY.+SLEEVE	[3]
09	12291100	1	HOSE 38/2M OIL BAYONET +NOZZLE	[3]
09	12291500	1	HOSE 38/3M OIL BAYONET +NOZZLE	[3]
09	L03067800	1	HOSE 3M/38 MM PUR H	[4]
09	21602700	1	HOSE 38/2M PLAST. BAY. O+SLEEVE	[5]
09	12247500	1	HOSE 38/5M CON. BAYONET +NOZZLE	[3]
09	12255400	1	HOSE 38/5M PLAST. BAYONET +NOZZLE	[3]
09	21603200	1	HOSE 38/3M PLAST. BAY. O+SLEEVE	[5]
09	12291900	1	HOSE 38/5M OIL BAYONET +NOZZLE	[3]
09	12292300	1	HOSE 38/10M OIL BAYONET+SLEEVE	[3]
09	12247300	1	HOSE 38/3M CON. BAYONET +NOZZLE	[3]
09	12247700	1	HOSE 38/10M CON. BAY.+SLEEVE	[3]
09	12255800	1	HOSE 38/10M PL BAYONET +NOZZLE	[3]
09	11343500	1	HOSE 38/3M RUBBER BAY.+SLEEVE	[3]
09	11343300	1	HOSE 38/2M RUBBER BAY.+SLEEVE	[3]
10	82290401	1	HOSE 38/10M OIL BALL+SLEEVE	[3]
10	82290201	1	HOSE 38/3M OIL BALL+SLEEVE	[3]
10	82290101	1	HOSE 38/2M OIL BALL+SLEEVE	[3]
10	11343900	1	HOSE 38/3M RUBBER SLEEVE+BALL	[3]
10	31803100	1	HOSE 38/3M PLAST. BALL AND SLEEVE	[3]
10	82343600	1	Slange 38/5M Pl. Muf+Kugl	[3]
10	82245301	1	HOSE 38/3M COND. BALL+SLEEVE	[3]
10	11343700	1	HOSE 38/2M RUBBER SLEEVE+BALL	[3]
10	82290301	1	HOSE 38/5M OIL BALL+SLEEVE	[3]
10	31802600	1	HOSE 38/2M PLAST. BALL AND SLEEVE	[3]
10	82343700	1	HOSE 38/10M PLAST. SLEEVE+BALL	[3]
10	82245201	1	HOSE 38/2M CON. BALL+SLEEVE	[3]
11	11810400	1	HOSE 38/3M COMPLETE BRASS/ALU.	[3]
11	11810200	1	HOSE 38/2M COMPLETE BRASS ALU.	[3]
12	21810100	1	HOSE 38/2M PLAST. BRASS BAY.+SL.	[3]
12	21810300	1	HOSE 38/3M PLAST. BRASS BAY.+SL.	[3]
13	22340900	1	Muffe Kit 38Mm	
14	10944000	1	Buet Rør 38Mm	
15	10984600	1	Rør 38Mm, 210Mm	
16	11339800	1	Buet Rør 38Mm Aluminium	
17	71917000	1	Buet Rør Rustfri 38Mm Gv920/940	
18	11027200	1	Rør, Krom 38 Mm	
19	10967000	1	Rør, Vinkel Alu. 82Cm	[4]
20	10961200	1	Rør 1M Aluminium	

Pos.	Vare-nr	Antal	Beskrivelse	Notes
21	11297400	1	Rør	[4]
22	11916000	1	Rør, 38Mm Stål	

## Part Notes:

- [1] - NO MORE AVAILABLE
- [2] - CLOSED DUE TO NO SALES SINCE 08
- [3] - Nilfisk-CFM Acc. Program
- [4] - CONTACT PM IN ZOCCA
- [5] - No replacement for part



Resource notes:

Pos.	Vare-nr	Antal	Beskrivelse	Notes
01	140 3816 020	1	Børstemundst. Ø38, 37 Cm.	
01	12294200	1	FLOOR NOZZLE 300MM ALUINLET 38MM BRUSH-RUB LIP	
02	10947300	1	GULVMUNDSTYKKE	[1]
02	12294300	1	NOZZLE FLOOR 38MM 400MMALU MM-RUB/BRUSH LIPS	
03	82168000	1	Mundstykke, Gulv 38Mm Våd	
04	12126700	1	Mundstykke,Gummi 38Mm Grå	
05	L02956200	1	Mundstykke,Skrå 38Mm	
06	82167900	1	Mundstykke, Konisk 38Mm Gummi Olieresist	
07	11357500	1	MUNDSTYKKE	[2]
08	56209381	1	KIT SQUEEGEE	[3]
09	10989000	1	Børste, Rund 100Mm 38Mm	
10	4072200579	1	Rundbørste blå NBR 70 mm Ø38	
10	4072200578	1	Rundbørste grøn NBR 70 mm Ø38	
10	4072200577	1	Rundbørste rød NBR 70 mm Ø38	
10	12422500	1	Rundbørste naturhår 70 mm Ø38	
11	70945300	1	Mundstykke, Møbel 38Mm	[4]
12	10949500	1	Fugemundstykke Ø38	
13	10949600	1	RADIATOR BRUSH	
14	11476101	1	Mundstykke, Børster 38Mm	
15	11476000	1	Mundstykke, Tæppe 38Mm 400 Mm	
16	82169700	1	Mundst. 38Mm Gummi Olier.	
17	11346900	1	FLOOR NOZZ. 38MM 220MM WOOD	[5]
17	11346800	1	FLOOR NOZZ. 38MM 150MM WOOD	[6]
17	11347000	1	FLOOR NOZZ. 38MM 300MM WOOD	[5]
18	L00396349	1	FRENCH FLOOR NOZZLE HARD	[7]
19	12126800	1	Mundstykke, 38Mm 360Mm	
20	82191000	1	Rørmundst.38/100Mm	[8]
21	82191200	1	Mundstykke, Rør 38/200Mm	[8]
23A	42431107	1	FLOOR NOZZ PART WITH BRUSH BLUE 300MM	[9]
23A	42431105	1	FLOOR NOZZ PART WITH BRUSH RED	[10]
23A	42430904	1	NOZZLE PART WITH BRUSH YELLOW FOR PIPE C	[8]
23A	42430905	1	NOZZLE PART WITH BRUSH RED FOR PIPE CLEA	[10]
23A	42431006	1	FLOOR NOZZ PART WITH BRUSH GREEN	[10]
23A	42431104	1	FLOOR NOZZ PART WITH BRUSH YELLOW	[10]
23A	42430906	1	NOZZLE PART WITH BRUSH GREEN FOR PIPE CL	[8]
23A	42430907	1	FLOOR NOZZ PART WITH BRUSH BLUE	
23A	42431106	1	FLOOR NOZZ PART WITH BRUSH GREEN	[8]
23A	42431005	1	FLOOR NOZZ PART WITH BRUSH RED	[10]
23A	42431004	1	FLOOR NOZZ PART WITH BRUSH YELLOW	[11]
23A	42431007	1	NOZZLE PART WITH BRUSH BLUE FOR PIPE CLE	
25A	42431606	1	FLOOR NOZZ PART WITH BRUSH GREE	[8]
25A	42431605	1	FLOOR NOZZ PART WITH BRUSH RED	[8]
25A	42431604	1	NOZZLE PART WITH BRUSH YELLOW FLAT 300MM	[8]
25A	42431607	1	FLOOR NOZZ PART WITH BRUSH	[8]
31	22431106	1	NOZZLE BRUSH 38MM ST. STEEL FOR PIPE 300	[12]
31	22430907	1	NOZZLE BRUSH 38MM ST. STEEL FOR PIPE 100	[12]
31	22430904	1	NOZZLE BRUSH 38MM ST. STEEL FOR PIPE 100	[12]
31	22430905	1	NOZZLE BRUSH 38MM ST. STEEL FOR PIPE 100	[12]
31	22431005	1	NOZZLE BRUSH 38MM ST. STEEL FOR PIPE 200	[12]
31	22431004	1	NOZZLE BRUSH 38MM ST. STEEL FOR PIPE 200	[12]
31	22431007	1	NOZZLE BRUSH 38MM ST. STEEL FOR PIPE 200	[13]
31	22431105	1	NOZZLE BRUSH 38MM ST. STEEL FOR PIPE 300	[12]
31	22430906	1	NOZZLE BRUSH 38MM ST. STEEL FOR PIPE 100	[12]
31	22431107	1	NOZZLE BRUSH 38MM ST. STEEL FOR PIPE 300	[12]
31	22431104	1	NOZZLE BRUSH 38MM ST. STEEL FOR PIPE 300	[12]
31	22431006	1	NOZZLE BRUSH 38MM ST. STEEL FOR PIPE 200	[12]
33	22431606	1	NOZZLE BRUSH 38MM ST. STEEL FLAT 300MM G	[12]
33	22431604	1	NOZZLE BRUSH 38MM ST. STEEL FLAT 300MM Y	[12]
33	22431605	1	NOZZLE BRUSH 38MM ST. STEEL FLAT 300MM R	

---

Pos.	Vare-nr	Antal	Beskrivelse	Notes
33	22431607	1	NOZZLE BRUSH 38MM ST. STEEL FLAT 300MM B	[12]

## Part Notes:

- [1] - CLOSED BY VENDOR
- [2] - No replacement
- [3] - PRUNED - NO REPLACEMENT
- [4] - SEE PB14-2012
- [5] - 22431600,TSB 2003-001
- [6] - TSB 2003-001
- [7] - SEE HOSE/NOZZLE PROGRAM
- [8] - CONTACT PM IN ZOCCA
- [9] - NO LONGER AVAILABLE
- [10] - ACCESSORIES OUTPHASED
- [11] - NO MORE AVAILABLE
- [12] - Nilfisk-CFM Acc. Program
- [13] - COMPONENTS CLOSED

