

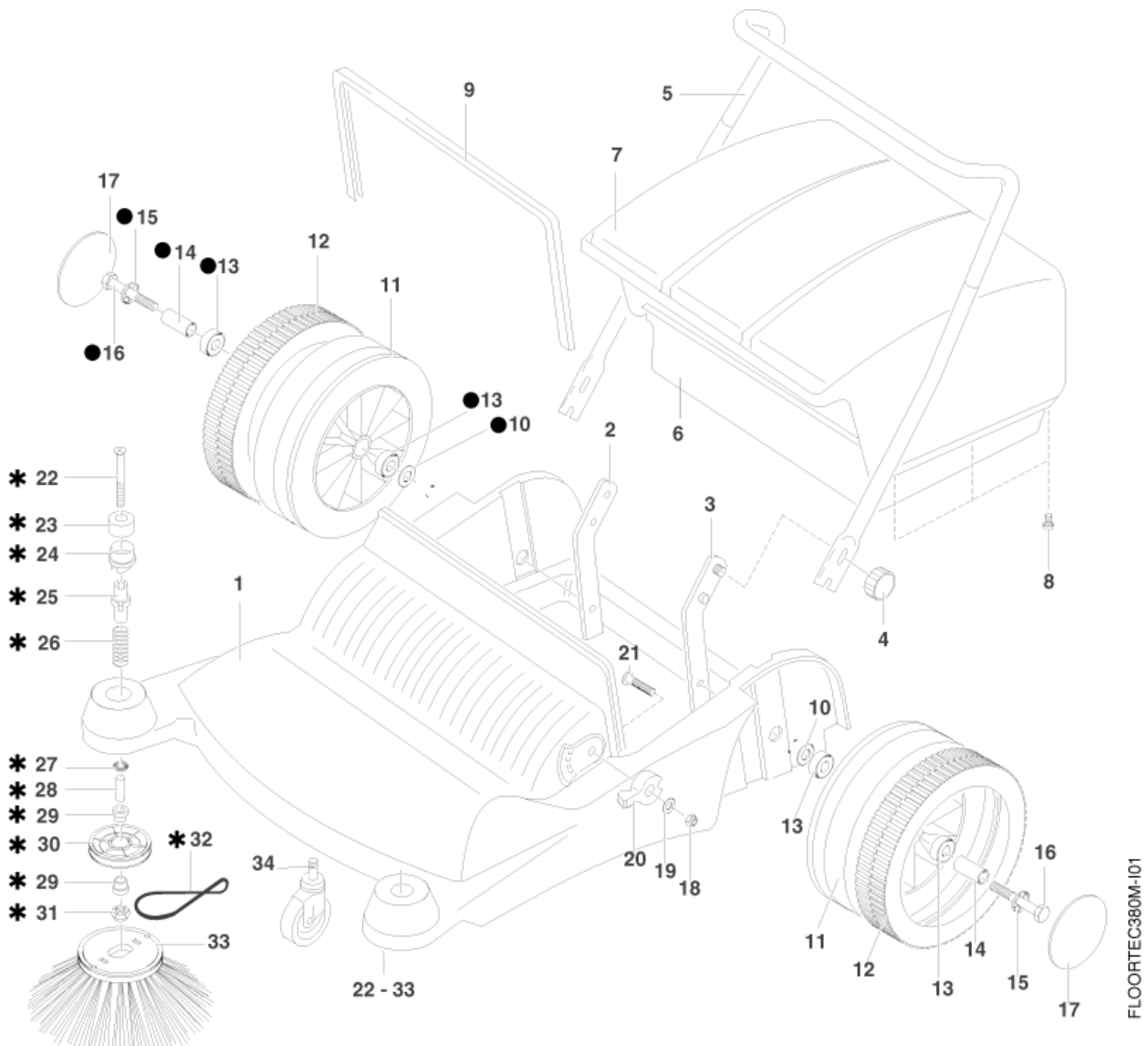
PARTS LIST



2019.12.10

TABLE OF CONTENTS

Base. Wheels. Container. Sidebroom1
Brush roller. Round belt3



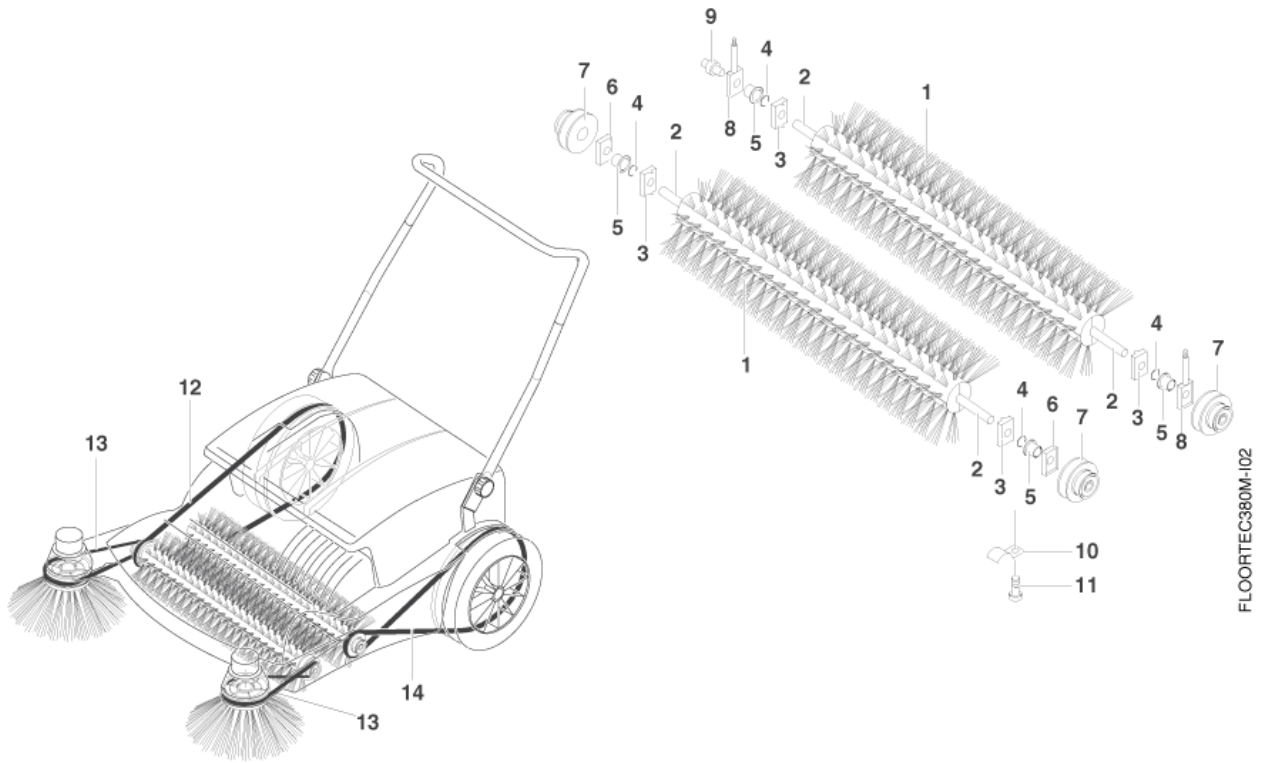
Resource notes:

POS NO 99 *consisting of *, 2XPOS.29, 1XPOS.22,23,24,25,26,27,28,30,31,32

| Pos. | Vare-nr | Antal | Beskrivelse | Notes |
|------|-----------|-------|--|-------|
| 01 | 303000293 | 1 | BASE FRAME | [1] |
| 02 | 54776 | 1 | RIGHT ATTACHMENT | [1] |
| 03 | 54777 | 1 | LEFT ATTACHMENT | [1] |
| 04 | 40928 | 1 | Fingermøtrik M8 6336 | [1] |
| 05 | 54778 | 1 | STEERING HANDLE | [1] |
| 06 | 303000294 | 1 | CONTAINER LOWER PART | [1] |
| 07 | 303000295 | 1 | CONTAINER UPPER PART | [1] |
| 08 | 34217 | 1 | TREAD-CUTTING SCREW 3.9X19 C-H ISO 7050 | [1] |
| 09 | 54781 | 1 | PROFIED GASKET | [1] |
| 10 | 4827 | 2 | WASHER 10.5X2.5 | |
| 11 | 54783 | 2 | Hjul Ø220mm | [1] |
| 12 | 54799 | 2 | PROFILE RUBBER Ø 230 | [1] |
| 15 | 10204 | 2 | SERRATED LOCK WASHER A10 | |
| 17 | 54784 | 2 | WHEEL CAP | [1] |
| 18 | 7417 | 1 | HEXAGON THIN NUT | |
| 19 | 5166 | 1 | WASHER 5.3X1.6 | [2] |
| 20 | 54786 | 1 | VERTICAL ADJUSTMENT HANDL | [1] |
| 21 | 18562 | 1 | RAISED DOME HEAD SCREW M5X25 DIN 7985 ZN | [1] |
| 27 | 2762 | 2 | Skive | |
| 31 | 1800515 | 2 | Låsemøtrik M8 | |
| 32 | 54789 | 2 | Rundrem | |
| 33 | 303000296 | 2 | Sidebørste | [1] |
| 34 | 25572 | 1 | Hjul Ø50 | [1] |
| 98 | 54782 | 2 | BEARING SET - 1 WHEEL | [3] |
| 99 | 54788 | 2 | Sidebørsteleje Sæt | [4] |

Part Notes:

- [1] - GUARANTEE DATE EXPIRED
- [2] - Subtype local item
- [3] - includes o, 2XPOS.13, 1XPOS.10,14,15,16
GUARANTEE DATE EXPIRED
- [4] - * SEE NOTE
GUARANTEE DATE EXPIRED



| Pos. | Vare-nr | Antal | Beskrivelse | Notes |
|------|---------|-------|---|-------|
| 11 | 34217 | 2 | TREAD-CUTTING SCREW 3.9X19 C-H ISO 7050 | [1] |
| 12 | 54773 | 1 | Rundrem | |
| 13 | 54789 | 2 | Rundrem | |
| 14 | 54785 | 1 | Rundrem | |
| 97 | 54772 | 2 | Børstevalse Med Aksler | [2] |
| 98 | 54774 | 1 | Børstelejer Forreste Sæt | [3] |
| 99 | 54775 | 1 | Børstelejer Bagerste Sæt | [4] |

Part Notes:

- [1] - GUARANTEE DATE EXPIRED
- [2] - 1XPOS.1, 2XPOS.2
- [3] - 2XPOS.2,3,4,5,6,7,10,11
GUARANTEE DATE EXPIRED
- [4] - 2XPOS.2,3,4,5,8, 1XPOS.7,9
GUARANTEE DATE EXPIRED

