

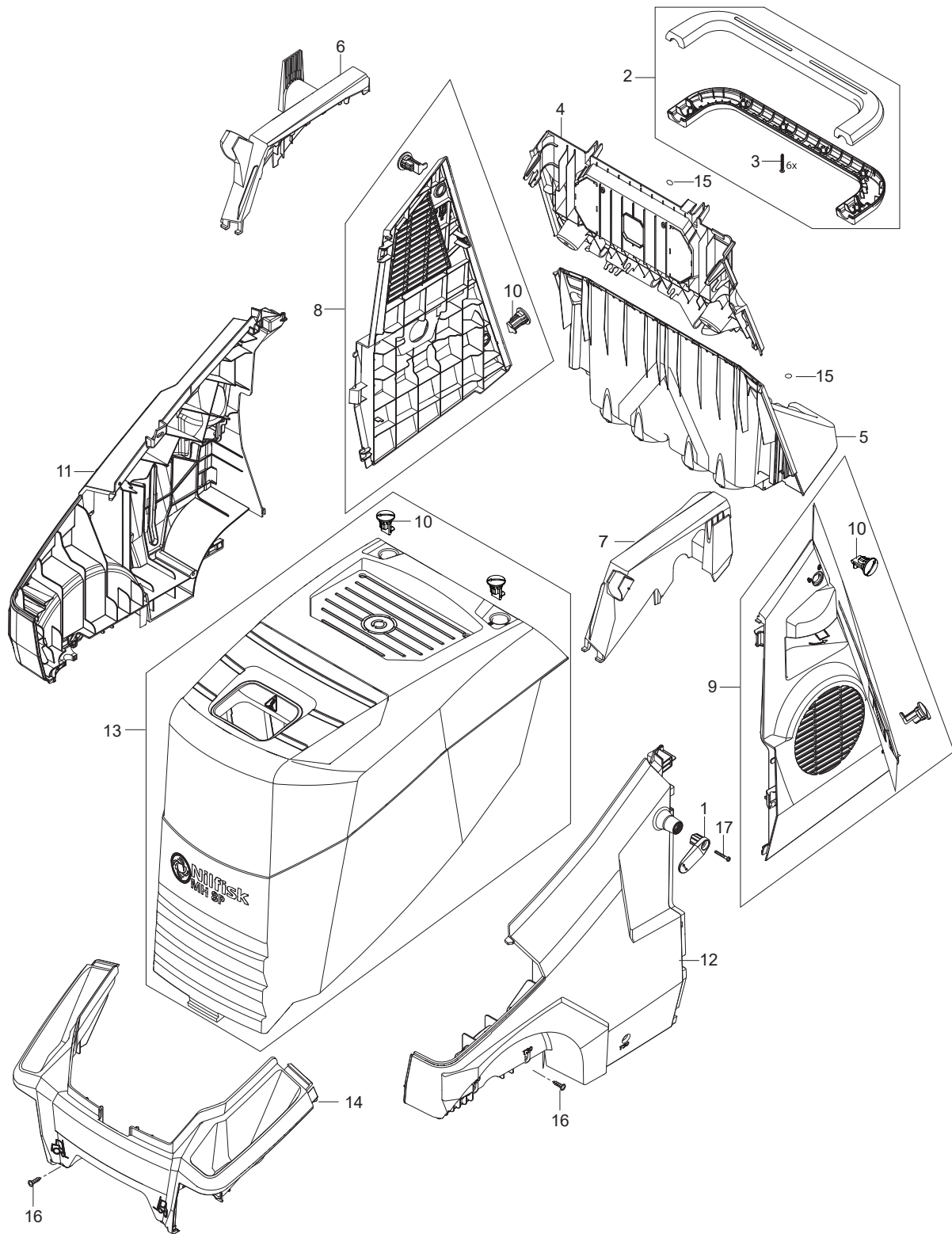
PARTS LIST



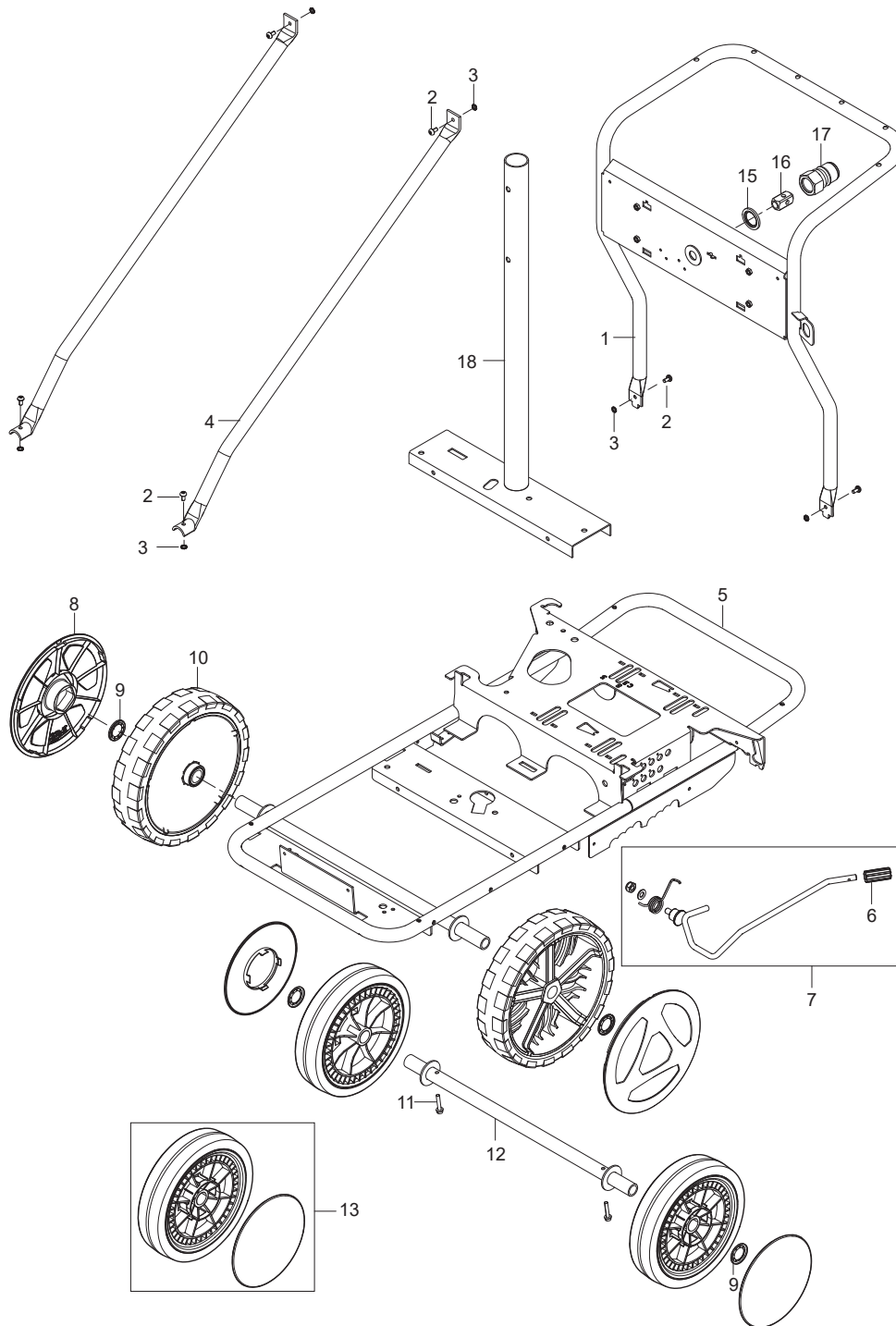
2019.11.01

TABLE OF CONTENTS

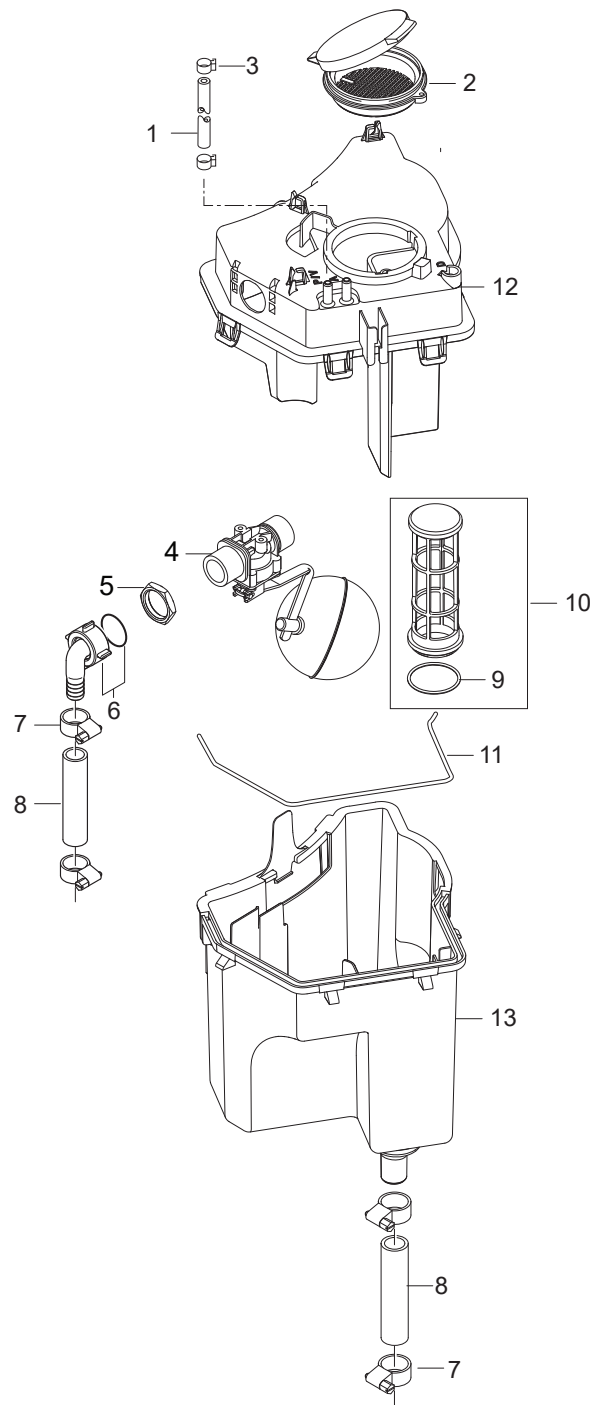
Cabinet.....	1
Chassis large.....	3
Water break tank.....	5
Water inlet_FA.....	7
Fuel tank 30L.....	9
106403184 - Hose reel.....	11
Anti-scale.....	13
1x detergent.....	15
Electric box.....	17
Electric box for motor.....	19
Cables and wires.....	21
Motor.....	23
Cylinder block.....	25
Unloader_FA.....	27
Flow control w. hose connection.....	29
Fan.....	31
Burner.....	33
Boiler B7.....	35



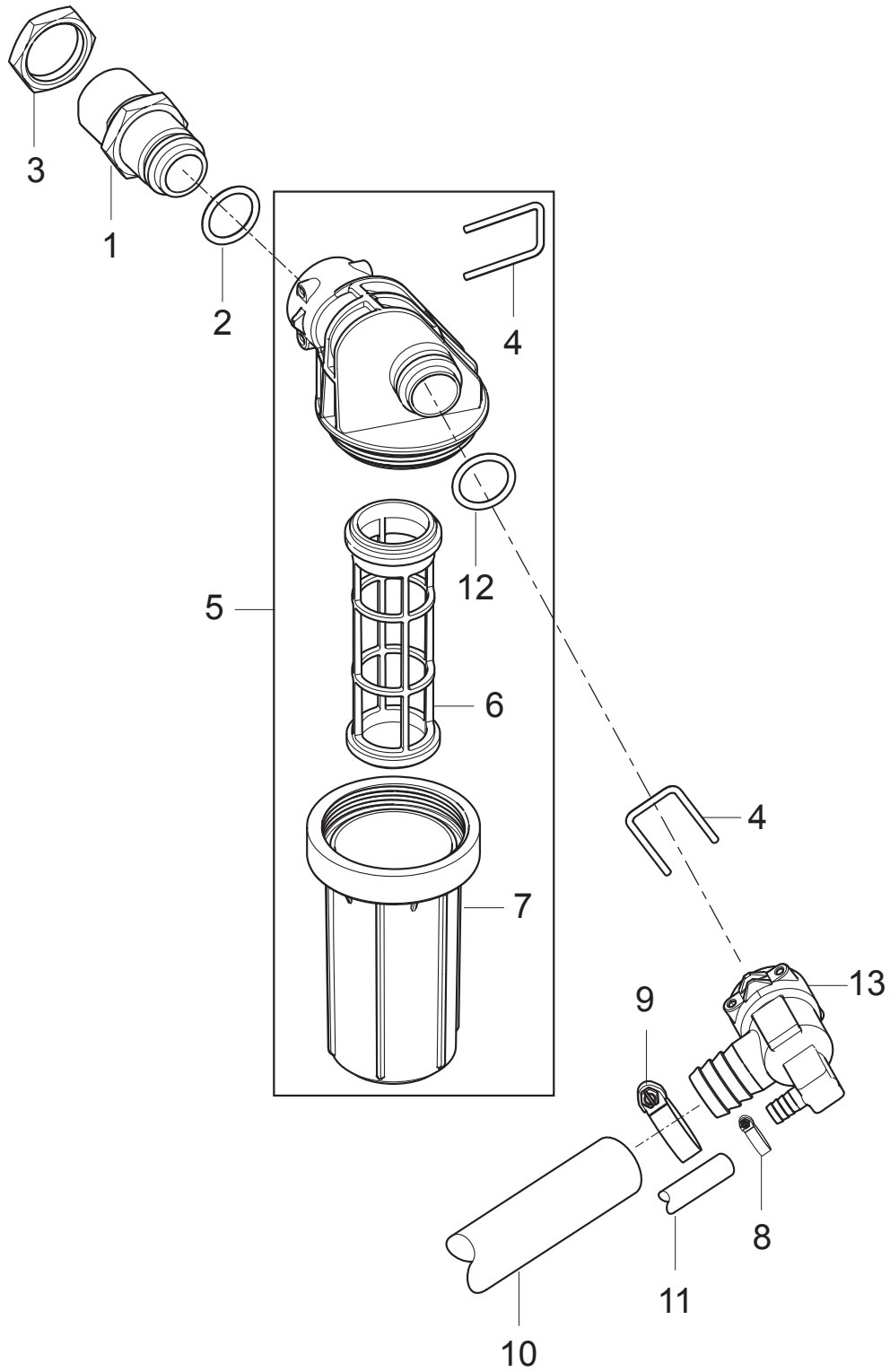
Pos.	Vare-nr	Antal	Beskrivelse	Notes
1	107143025	1	CABLE HOOK CLAMP BLUE	
2	101118192	1	HANDLE KIT	
3	909100148	6	SCREW K40X30 WN 1452	
4	107143013	1	REAR END TOP	
5	107143014	1	REAR END BOTTOM	
6	107143021	1	COVERING FOR HANDLE RIGHT	
7	107143022	1	COVERING FOR HANDLE LEFT	
8	107143023	1	DOOR W/LOCKS MPU NA5-NA6 RIGHT	
9	107143019	1	DOOR LEFT W/LOCKS	
10	301001261	6	Lås	
11	107143130	1	SIDE BUMPER LARGE RIGHT	
12	107143131	1	SIDE BUMPER LARGE LEFT	
13	101118232	1	CABINET MH 8P NILFISK KIT	
14	107143015	1	FRONT BUMPER	
15	107143009	6	BLIND PLUG D16.5 FOR T30 BLACK PE	
16	107143018	12	SCREW M6X16	
17	107141838	7	SCREW K50X18 WN1451 BLACK TORX20	



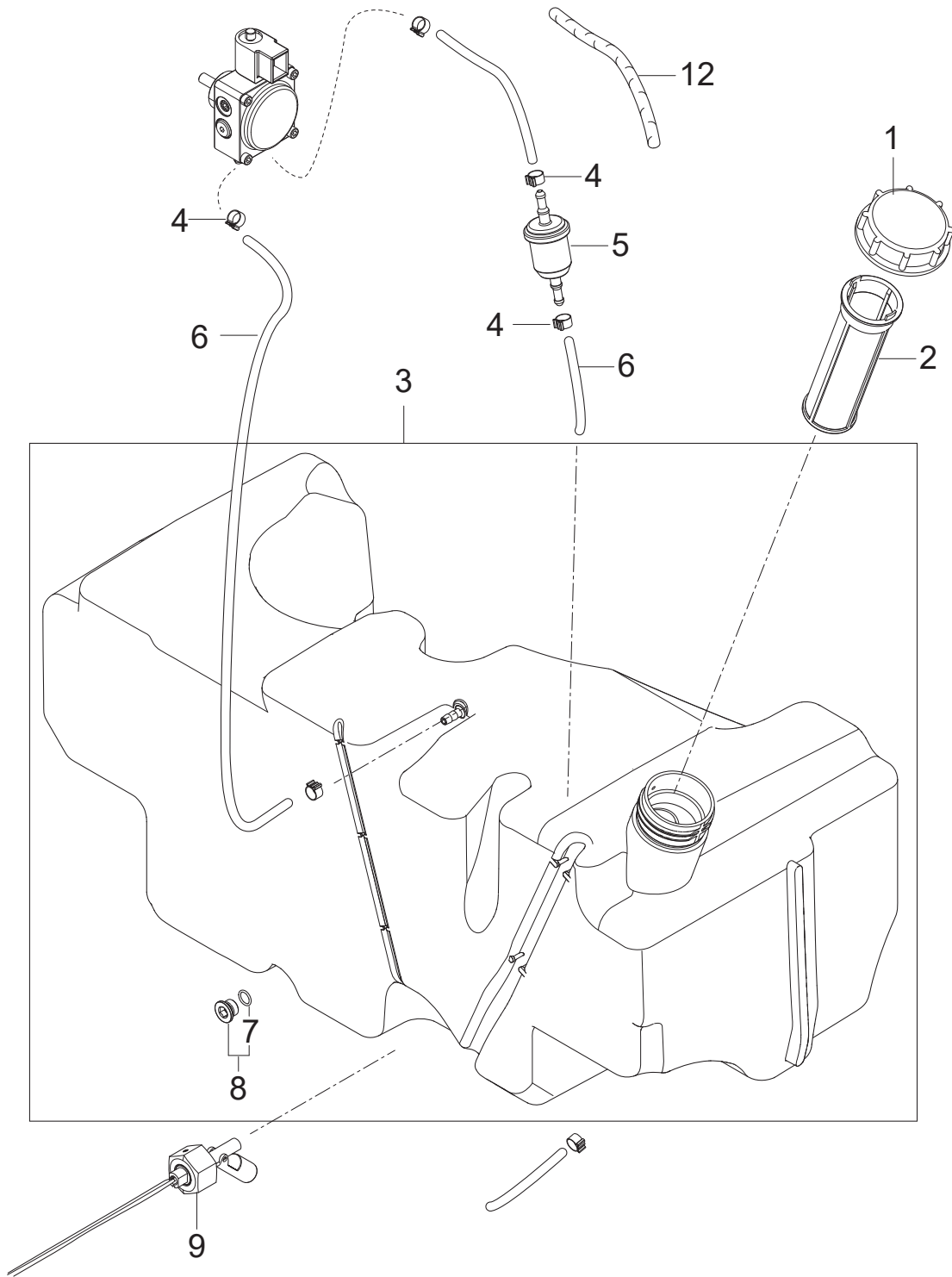
Pos.	Vare-nr	Antal	Beskrivelse	Notes
1	31001157	1	FRAME HANDLE	
2	107143018	6	SCREW M6X16	
3	107143146	6	WASHER SERRATED M6	
4	31001158	2	HANDLE STIFFENER LONG	
5	31001159	1	FRAME LARGE WELDED	
6	107143028	1	BRAKE KNOB	
7	101118229	1	BRAKE ARM LONG KIT	
8	107145780	2	WHEEL CAP FOR WHEEL Ø300X65 - NILFISK	
9	46363	4	Låsering Ø25	
10	107145637	2	WHEEL D300X65	
11	107143027	2	SCREW M6X35 SW10 DIN7500D FZB	
12	31001160	1	WHEEL AXLE REAR	
13	107143304	2	WHEEL D250 HEAVY LOAD W/CAP	
15	1801075	1	Tætningsskive 3/8"	
16	107143066	1	PISTON	
17	1600493	1	Ergo højtryksskobling DN10 3/8" han	
18	31001161	1	BOILER TUBE W. BRACKET LARGE	



Pos.	Vare-nr	Antal	Beskrivelse	Notes
1	106408243	1	HOSE 1/4INCH TRANSPARENT - 5 METERS	
2	301000561	1	Dæksel	
3	301001133	2	Slangeklemme Ø10/7	
4	103403267	1	Svømmerventil, Kompl.	
5	1800341	1	"Kontramøtrik 3/4"" "	
6	107143084	1	HOSE COUPLING 90° 20X3/4 PP W/NUT/GASKET	
7	8298	4	Spændebånd	
8	107143031	1	FUELFLEX HOSE D28/D20 10BAR/20°	
9	107143032	1	O-RING D30X2 SHORE70 NBR BLACK	
10	106403194	1	Filter til svømmertank	
11	101406054	1	Sponge Rubber Ø4 L 1M	
12	107143060	1	COVER FOR WATER TANK	
13	107143030	1	WATER BREAK TANK	



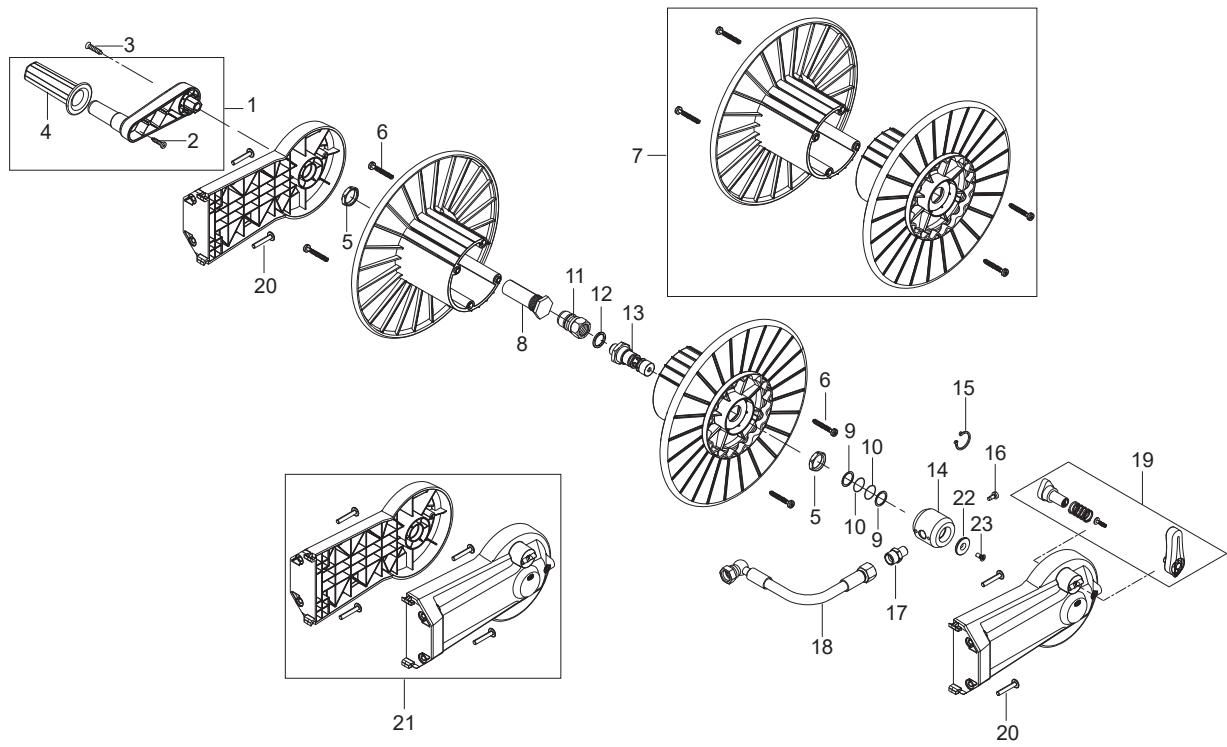
Pos.	Vare-nr	Antal	Beskrivelse	Notes
1	107143086	1	FITTING FOR WATER INLET	
2	107143088	2	O-RING 18.72X2.62	
3	1800341	1	"Kontramøtrik 3/4"" "	
4	107143085	2	LOCK PIN	
5	107144272	1	Vandfilter komplet 5000 mm2 50μ	
6	31001100	1	FILTER CARTRIDGE WITHOUT FLANGE	
7	31001011	1	Glas til vandfilter	
8	11654	1	Slangeklemme	
9	8298	1	Spændebånd	
10	107143031	1	FUELFLEX HOSE D28/D20 10BAR/20°	
11	106408243	1	HOSE 1/4INCH TRANSPARENT - 5 METERS	
12	107143088	1	O-RING 18.72X2.62	
13	107143087	1	WATER INLET FITTING FOR FA	



Pos.	Vare-nr	Antal	Beskrivelse	Notes
1	107143034	1	FUEL TANK LID - RED	
2	1604222	1	Filtersi	
3	107143136	1	Fuel Tank 30L	
4	301001133	6	Slangeklemme Ø10/7	
5	301002926	1	Filter	
6	106408244	0.35	Slange Ø6X2.5 - 5 meter	
7	3000072	1	O-ring 10,1 x 1,6 Nitril	
8	6180906	1	Prop m. o-ring	
9	107143033	1	LEVEL SENSOR FUEL TANK	
10	107143164	1	BEND PROTECTOR	[1]

Part Notes:

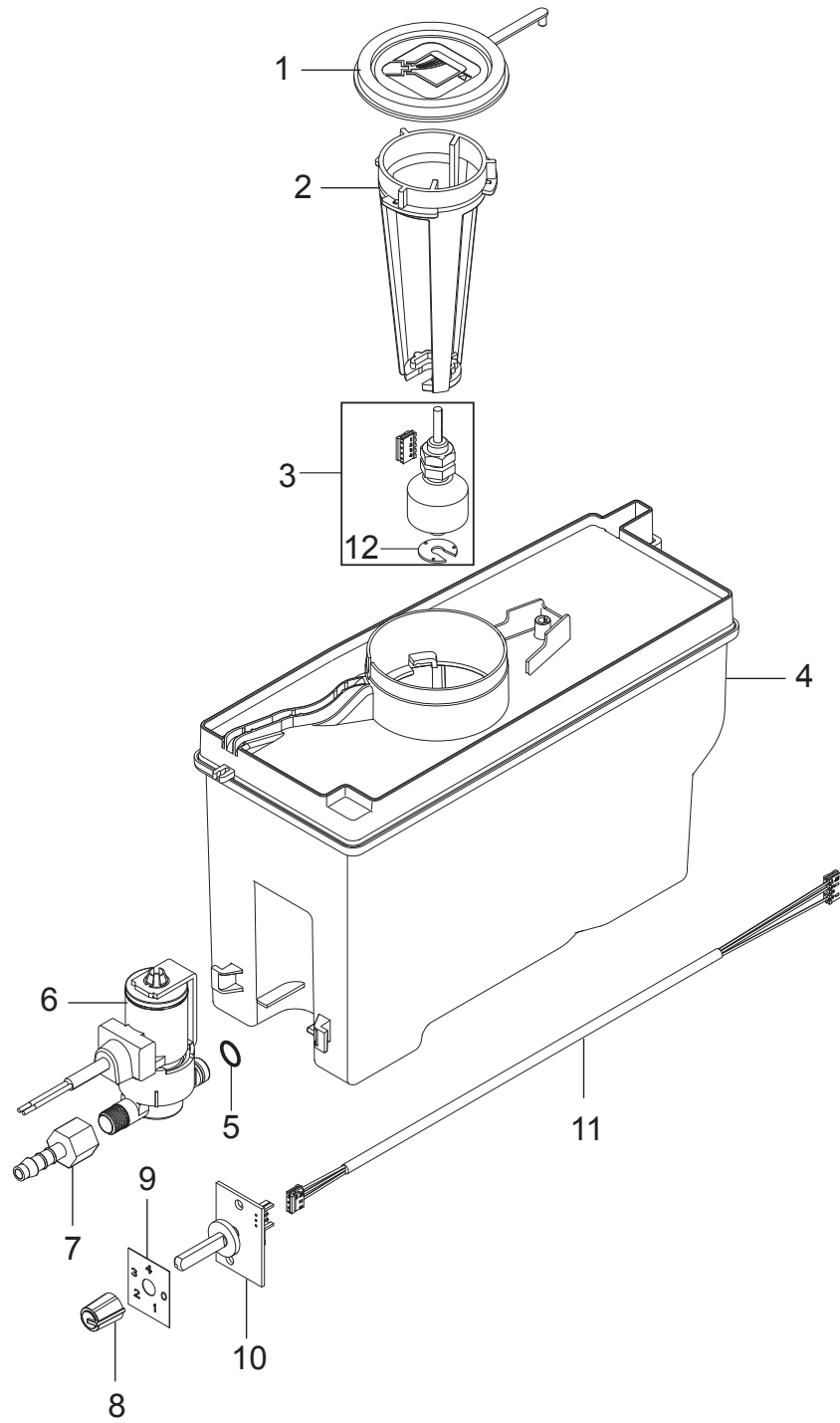
- [1] - DE TSB-PPW-2017-006 MH 3, 4, 5, 6, 7 Kraftstoffschlauch kann durch zu st...
TSB-PPW-2017-006 MH 3, 4, 5, 6, 7 Fuel hose can bend and block for fuel



Pos.	Vare-nr	Antal	Beskrivelse	Notes
		1	Mounting instr. for Hose Reel Nilfisk	[1]
0	106403184	1	Slangerulle	
1	101118215	1	HÅNDTAG SLANGERULLE	
2	107141838	2	SCREW K50X18 WN1451 BLACK TORX20	
3	107141673	1	SCREW M6X45 ISO 7380 BLACK TORX	
4	107143007	1	ROTATING HANDLE FOR HOSE REEL NILFISK	
5	62696	2	Møtrik	
6	909100153	4	Ejot-Skrue K60X40	
7	101118209	1	HOSE REEL SIDE KIT	
8	107141675	1	AXLE FOR HOSE REEL	
9	107143017	2	BACK-UP RING	
10	19620	2	O-ring	
11	1600493	1	Ergo højtryksskobling DN10 3/8" han	
12	1801075	1	Tætningsskive 3/8"	
13	107143123	1	SWIVEL FOR HOSE REEL	
14	101118317	1	BEARING BUSH KIT	[2]
15	1802057	1	Circlip external 20x1.2 Spring steel, bl	[3]
16	107141690	1	SCREW M5X12 DIN7985 TORX TAPTITE	
17	54590	2	Forskruning	
18	107143133	1	HP HOSE DN10 244 DKL-DKR90C	
19	101118212	1	020KE HANDLE FOR HOSE REEL NILFISK KIT	
20	107143010	4	SCREW M6X35	
21	101118208	1	HOSE REEL ADAPTOR KIT	
22	107143125	1	WASHER 25 FOR COUNTERSUNK M5	[4]
23	107143124	1	COUNTERSUNK M5X12 ISO 14581	[4]

Part Notes:

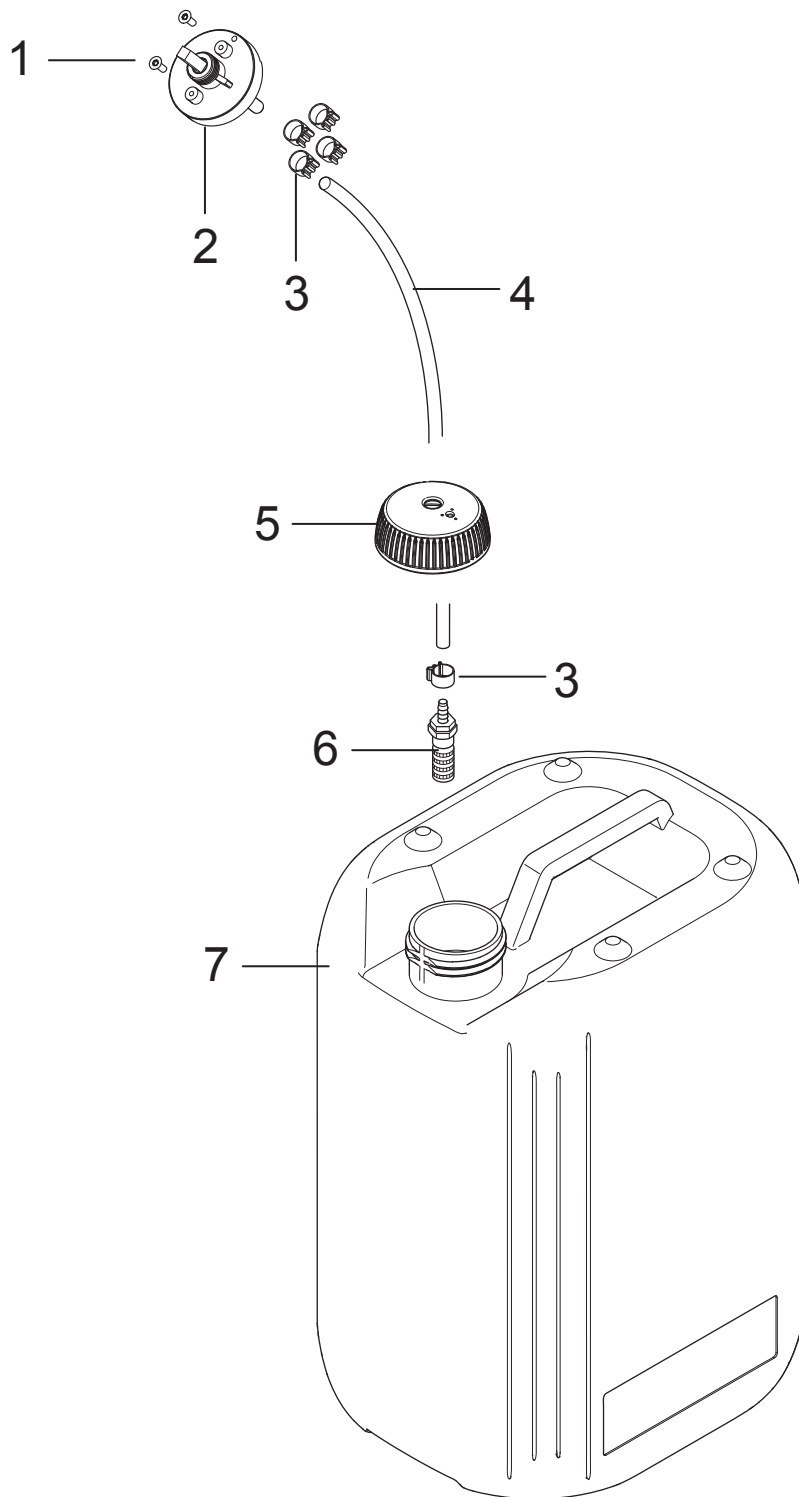
- [1] - Mounting instructions MH Nilfisk hose reel
- [2] - 106403184 - Hose reel
- [3] - Up to 07.2016
- [4] - TSB-PPW-2016-018 MH 4M Hose Reel Circlip



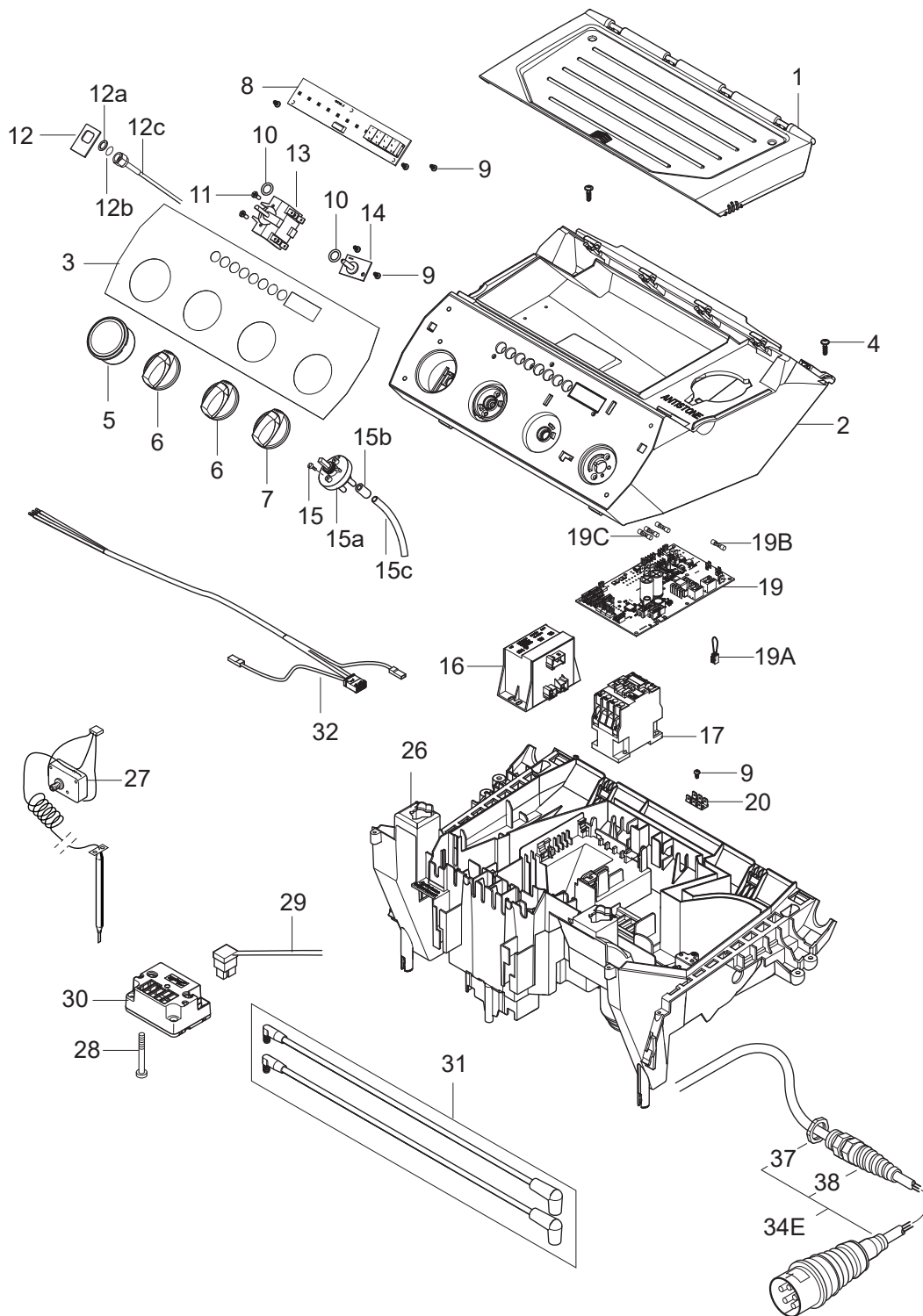
Pos.	Vare-nr	Antal	Beskrivelse	Notes
1	45646	1	COVER	
2	107143040	1	LEVELSENSOR BRACKET FOR ANTISCALE	
3	101118214	1	FLOAT SWITCH KIT	
4	107143041	1	ANTISCALE TANK CPL.	
5	31001036	1	O-RING 6X2 NBR 70SH	
6	107143037	1	DOSING VALVE RPE 24VAC	
7	107143036	1	HOSE FITTING D6X1/8 PA	
8	107318222	1	PUSH-ON KNOB 11MM/6MMD/WH	
9	107143042	1	LABEL FOR ANTISCALE	
10	101117730	1	PCB FOR POTENTIOMETER	
11	107143038	1	CABLE FOR ADJUSTMENT ANTI SCALE	
12	107142593	1	HOLDING WASHER PE	[1]

Part Notes:

- [1] - TSB-PPW-2016-017 Locking ring for oil level switch falling off



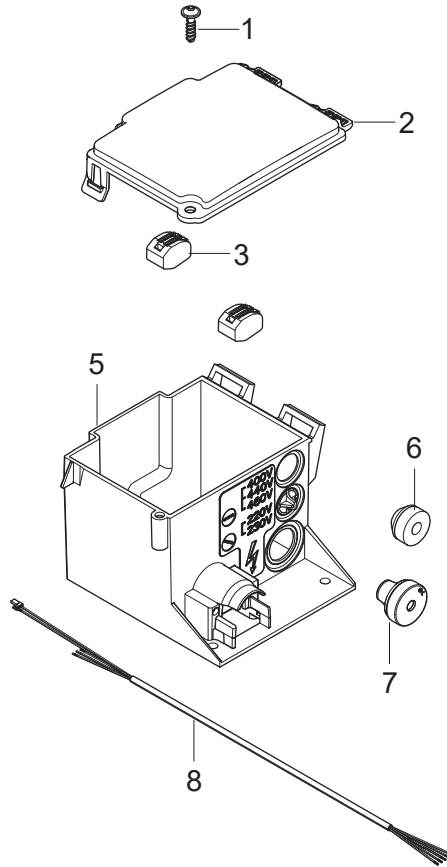
Pos.	Vare-nr	Antal	Beskrivelse	Notes
1	1814730	2	SCREW 35X10B W1423	
2	301001000	1	Doserventil	
3	301001133	8	Slangeklemme Ø10/7	
4	106408243	1	HOSE 1/4INCH TRANSPARENT - 5 METERS	
5	107141664	2	CAP FOR DETERG. TANK WITH VALVE MOUNTED	
6	107145440	2	Strainer Valve Compl. Kit	
7	80518	1	Plastdunk 10 liter	



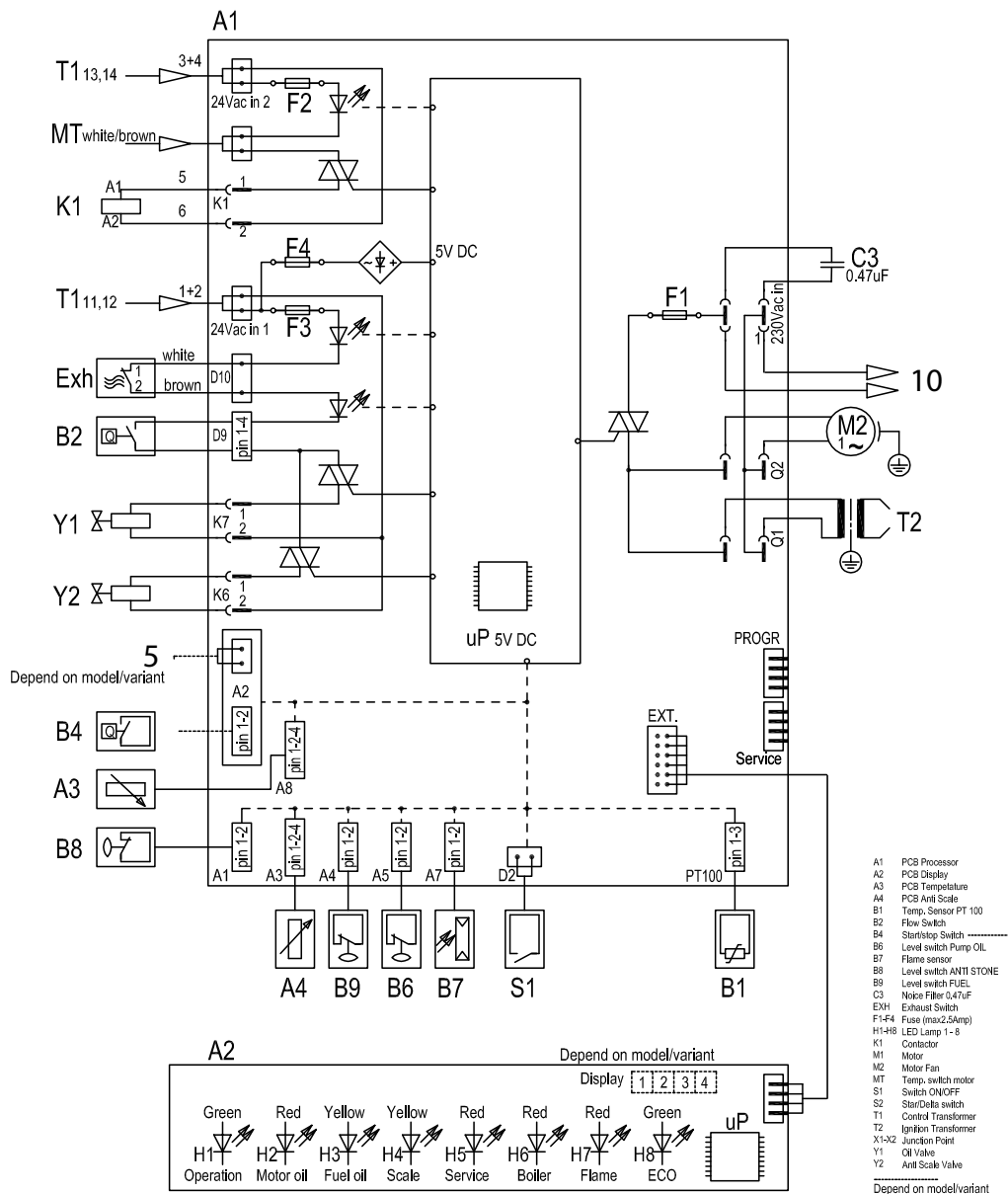
Pos.	Vare-nr	Antal	Beskrivelse	Notes
1	107143046	1	TOOL BOX LID	
2	107143045	1	E-BOX TOP	
3	107143153	1	LABEL F. CONTROL PANEL FULL SPEC NILFISK	
4	107141838	2	SCREW K50X18 WN1451 BLACK TORX20	
5	107141648	1	MANOMETER 0-300 BAR - 1/4"	
6	909100204	2	Drejeknap	
7	909100214	1	Drejeknap Gr.1 4Kt	
8	107143154	1	PCBA NEO UI DISPLAY CPL. MH	
9	909100046	5	SCREW 4X8	
10	9868	2	O-ring 10.0X2.5	
11	18274	2	Skruer M4X12	
12	107141650	1	PLATE FOR MANOMETER	
12a	107141651	1	WASHER M12 13X24X2.5 A2 DIN125	
12b	31000508	1	O-RING NBR	
12c	102406647	1	Slange	
13	28877	1	Switch	
14	101117730	1	PCB FOR POTENTIOMETER	
15	1814730	2	SCREW 35X10B W1423	
15a	301001000	1	Doserventil	
15b	301001906	1	Lukkekappe	
15c	106408243	1	HOSE 1/4INCH TRANSPARENT - 5 METERS	
16	107143051	1	POWER TRANSFORMER 230/400V 2X24V	
17	103822317	1	Contacteur Cjx2-D32-B7 24V	
19	107143151	1	PCBA MH	
19A	101221031	1	JUMPER F. SERVICE TIME RESET (106420063)	
19B	31001190	1	FUSE 6.3A 5x20 MM 250V	
19C	15846	3	Sikring 2,5A	
20	107307326	1	EARTH CONNECTOR 6 PIN	
26	107143062	1	E-BOX BOTTOM	
27	106268028	1	Exhaust Safety Thermostat Kit	
28	909100149	2	Skruer 5X50	
29	107143098	1	PRIMARY CABLE FOR IGNITION COIL	
30	101117759	1	Tændtransformer 220-240V	[1]
31	101118220	1	2 X IGNITION CORDS KIT	
32	107143063	1	CABLE FOR POWER TRANSFORMER PRIM 400V	
34E	107143166	1	POWER CORD H07RN.F 4G4X6M CEE 32A	
37	909100019	1	Møtrik	
38	909100043	1	Kabelafledning	

Part Notes:

- [1] - TSB-PPW-2018-004 Boiler cannot start - no ignition
FR TSB-PPW-2018-004 Le bruleur ne démarre plus
DE TSB-PPW-2018-004 Brenner startet nicht - keine Zündung



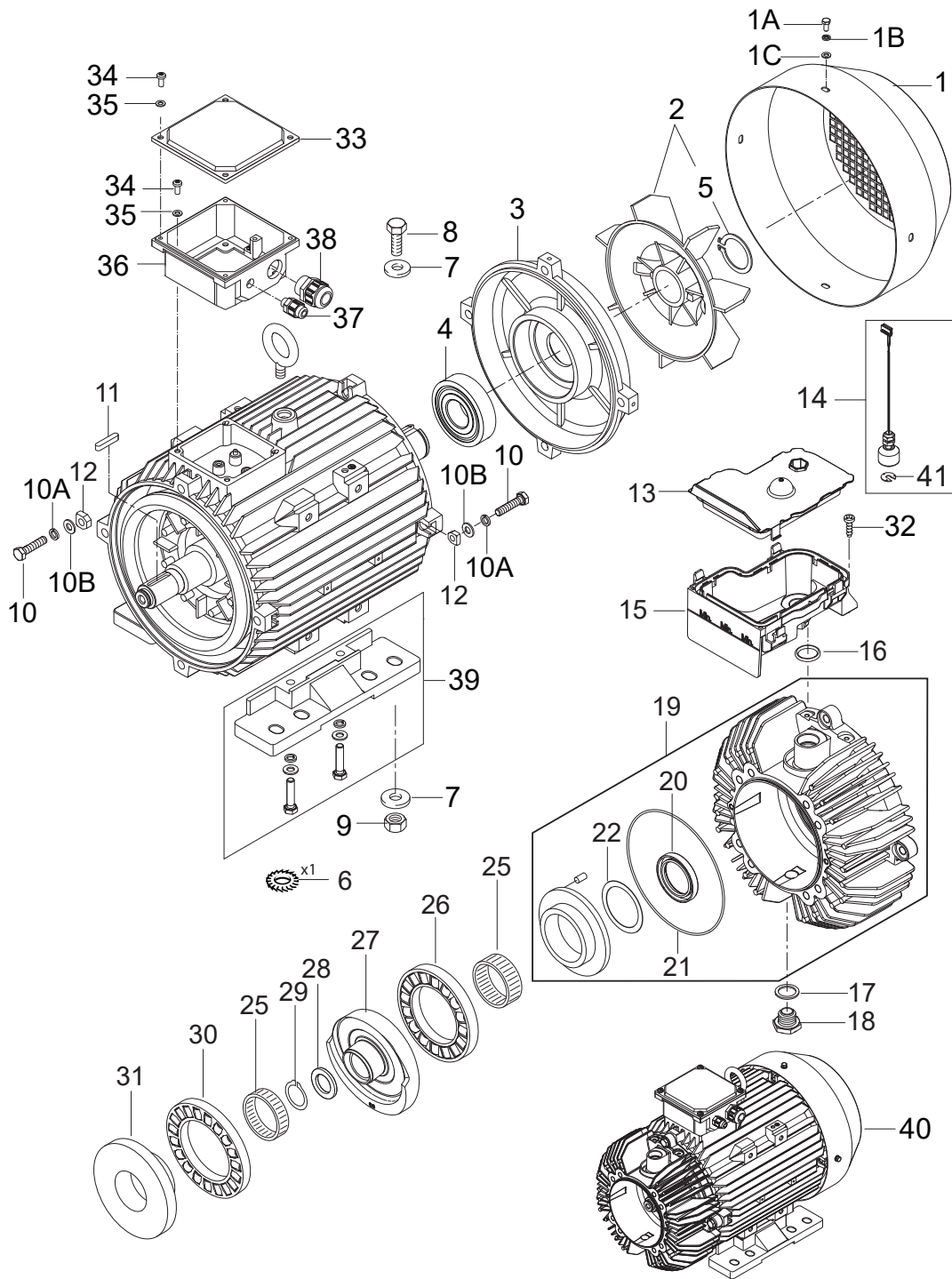
Pos.	Vare-nr	Antal	Beskrivelse	Notes
1	107141838	1	SCREW K50X18 WN1451 BLACK TORX20	
2	301000782	1	Dæksel	
3	107143069	2	SNAP TERMINAL 2 POL	
5	107143074	1	E-BOX	
6	3803764	1	Pakdåse Tet 5-7C	
7	3803772	1	CABLE GROMMET TET 7-10C	
8	107143135	1	MOTOR CABLE 5G2.5 STAR NA6+	



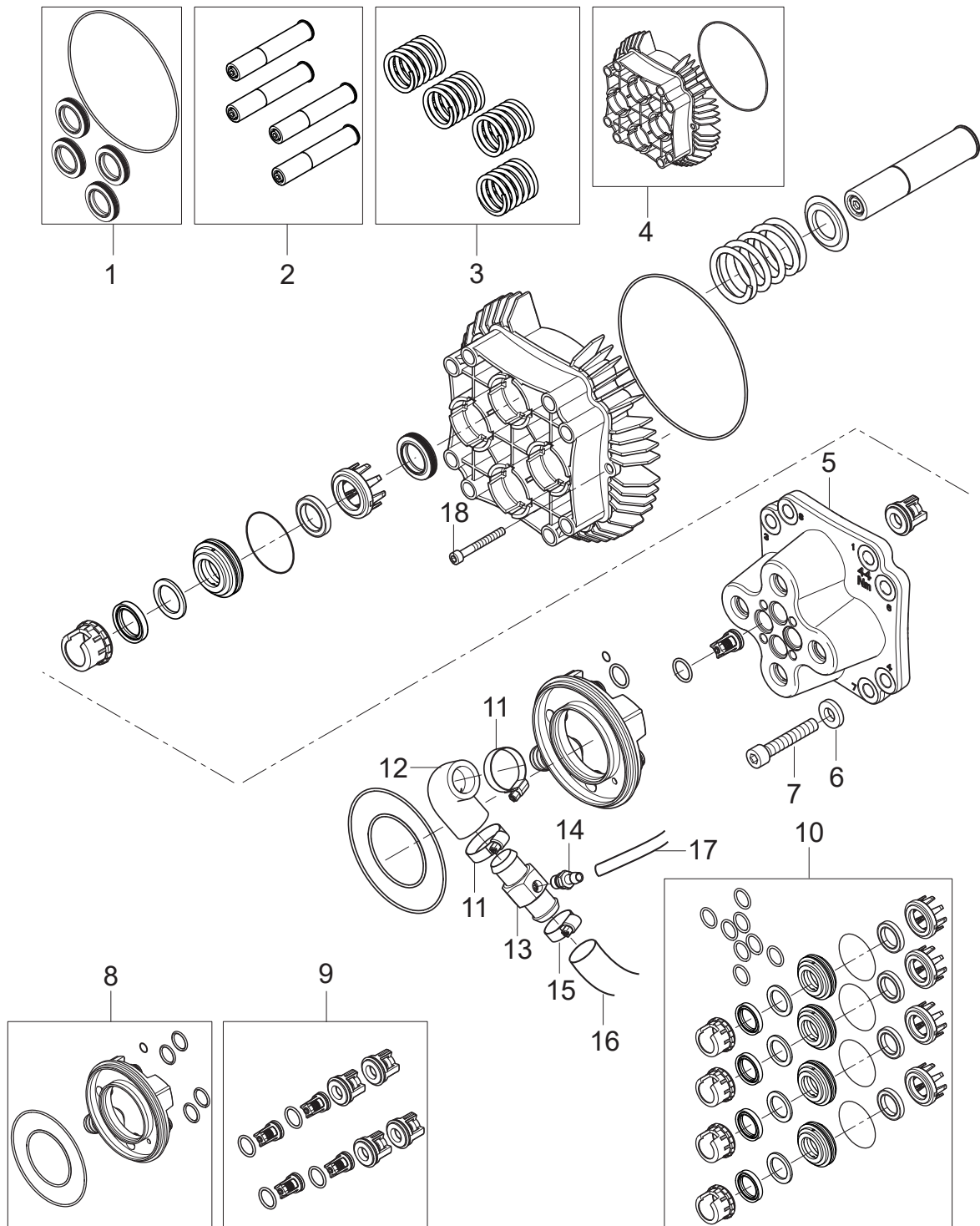
Pos.	Vare-nr	Antal	Beskrivelse	Notes
T1	107143052	2	CABLE FOR POWER TRANSFORMER SEC 6X0.75	
MT	107143070	1	CABLE FOR MT	
K1	107143052	1	CABLE FOR POWER TRANSFORMER SEC 6X0.75	
Exh	107143055	1	CABLE FOR HOT WATER MODE AND EXH. SWITCH	
B2	107143121	2	REED SWITCH NO W/CABLE	
Y1	107143095	1	CABLE FOR SOLENOID VALVE 2X0.5	
Y2	107143037	1	DOSING VALVE RPE 24VAC	
B4	107143121	2	REED SWITCH NO W/CABLE	[1]
A3	107143043	1	CABLE FOR TEMPERATURE ADJUSTMENT	
B8	101118214	1	FLOAT SWITCH KIT	
A4	107143038	1	CABLE FOR ADJUSTMENT ANTI SCALE	
B9	107143033	1	LEVEL SENSOR FUEL TANK	
B6	101118173	1	OIL SENSOR W/PLUG KIT	[2]
B7	107143100	1	FLAME SENSOR WITH CABLE	
S1	107143055	1	CABLE FOR HOT WATER MODE AND EXH. SWITCH	
B1	107143083	1	TEMPERATUR SENSOR PT100 W/CABLE	
A2	107143053	1	CABLE FOR UI	
T2	107143098	1	PRIMARY CABLE FOR IGNITION COIL	
M2	107143096	1	MOTOR BURNER - 0.23KW/230V/50HZ/1PH	
10	107143054	1	WIRE BLACK L=400	
C3	101117867	1	NOISE FILTER KIT	

Part Notes:

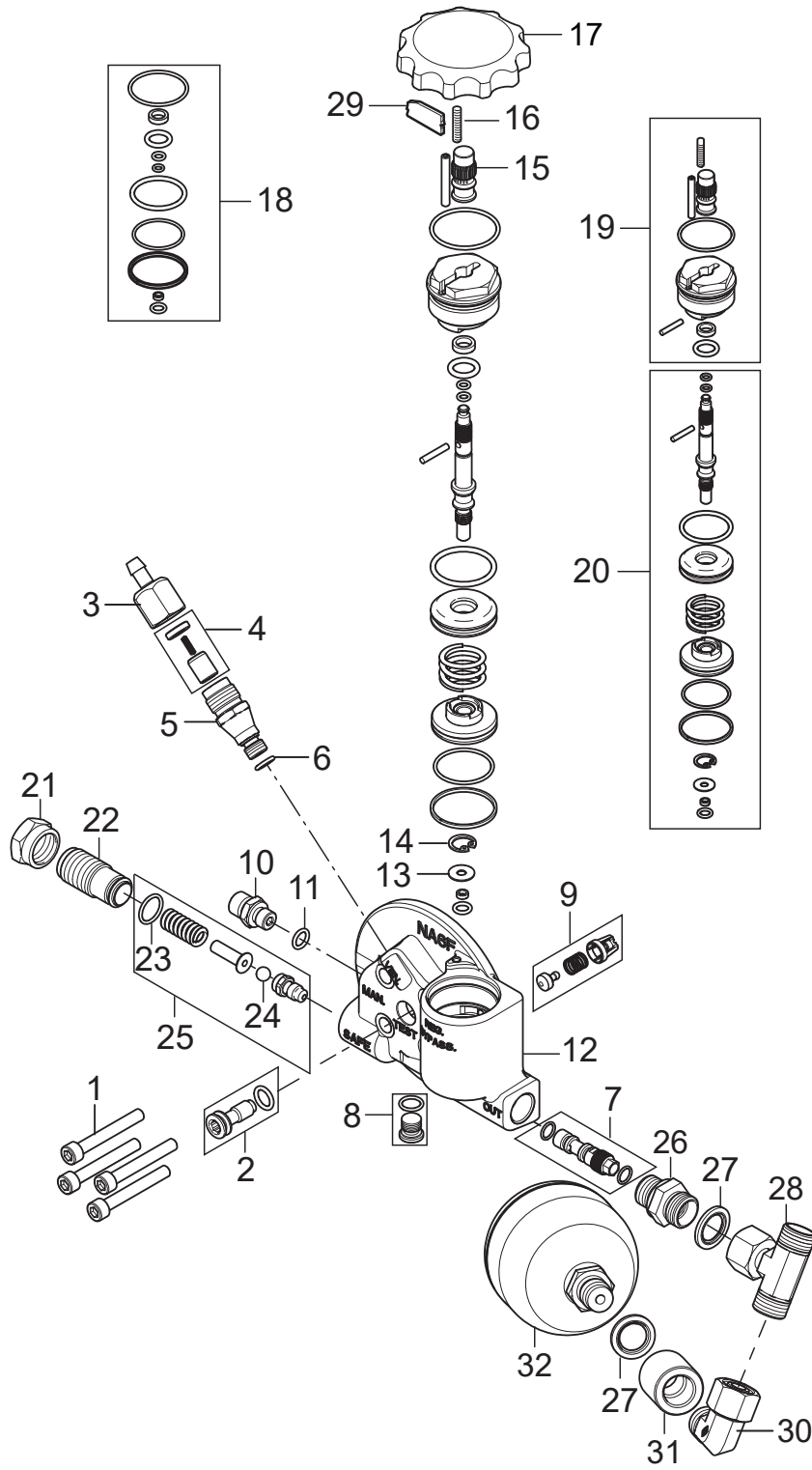
- [1] - FA
 [2] - MI 107309166 JST Connector



Pos.	Vare-nr	Antal	Beskrivelse	Notes
	31001229	1	OIL ISO 150 ALPHASYN-T 20L	
0	5218433	1	Pumpeolie ISO 150 (1 liter)	
1	107144791	1	FAN COVER MEC132	
1A	31000488	4	SCREW M5X8 CYLINDER HEAD PH NOTCH RF	
1B		4	Lock washer M5 DIN 7980 A zinc plated	
1C		4	Plain washer M5 DIN125A galv	
2	107144793	1	FAN MEC132 W. LOCKRING RF	
3	107144794	1	N-BEARING COVER MEC132	
4	107144795	1	N-BEARING MEC132	
5	107144792	1	SHAFT RETAINING RING Ø38X1.5	
6	10204	1	SERRATED LOCK WASHER A10	
7	2767	7	Pakning 10,5X2	
8	8927	4	HEXAGON HEAD CAP SCREW M10X 35 ISO 4017	
9	1800465	4	Møtrik M10	
9	1802966	4	Nut Hex M10 A2 DIN 934	
10	2751	8	HEX. SCREW M8X35 ISO 4017 ZN	
10A	2798	8	LOCK WASHER 8	
10B	2762	8	Skive	
11	107144796	1	KEY MEC132 A6X32 CARBON STEEL C45	
12	107144797	8	SQUARE NUT M8	
13	107140883	1	OIL CONTAINER TOP W/LEVEL SENSOR	
14	101406054	1	Sponge Rubber Ø4 L 1M	
15	107140879	1	OIL CONTAINER BOTTOM	
16	107140882	1	O-RING 15.0 X 3.0 SMS 1586 NBR70	
17	106408208	1	COPPER SEALING 17X25X1.5	
18	6150400	1	Bundprop	
19	107144798	1	D-BEARING COVER CPL NA6+	
20	3001146	1	Olietætningsring	
21	106408215	1	O-RING 126.71 X 1.78 NBR 72	
22	6100995	1	Skive	
25	3200656	2	Nåleleje Ina K 40X46X17	
26	3200615	1	Rulleleje	
27	107144800	1	WOBBLE DISC NA6+ 8.97 DEG	
28	106408204	1	WASHER D32 x D20.1 x 3 STEEL	
29	1802057	1	Circlip external 20x1.2 Spring steel, bl	
30	106408206	1	CYL. ROLLER BEARING K81 212-TV AX. D11	
31	106408207	1	BEARING TRACK THRUST	
32	107140881	6	SCREW M5X12 DIN 7985 TORX	
33	107144804	1	JUNCTION BOX LID NA6+	
34	1803030	4	Maskinskrue M5X12	
35		4	Plain washer M5 DIN125A galv	
36	107144805	1	JUNCTION BOX BOTTOM NA6+	
37	107144806	1	CABLE BUSHING M12X1.5 3-6.5	
38	107144807	1	CABLE BUSHING M25X1.5 11-15	
39	107144808	2	FEET FOR MOTOR W. SCREWS AND WASHERS	
40	107144809	1	MOTOR NA6+ 11KW/230/400V/50HZ/3PH	



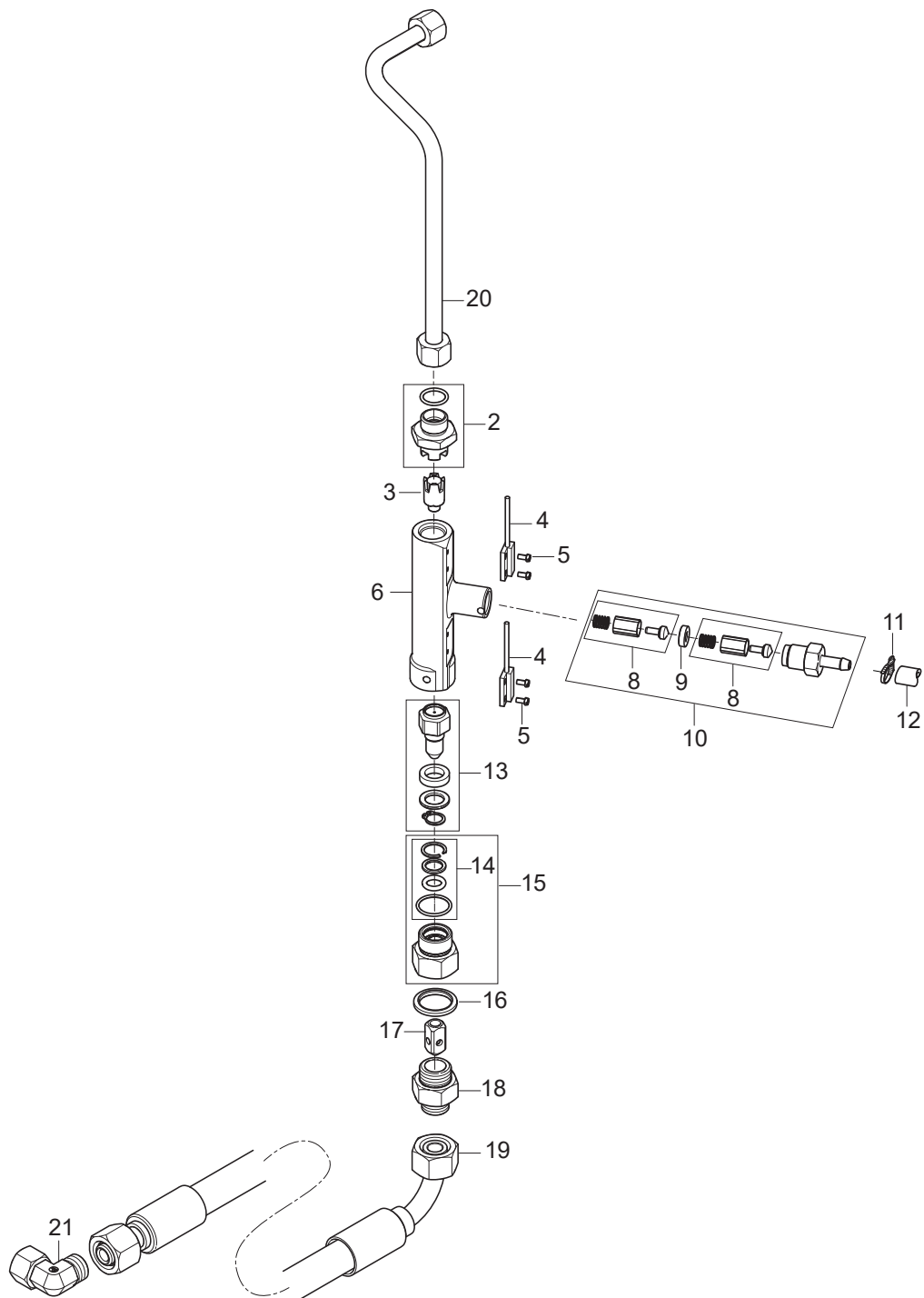
Pos.	Vare-nr	Antal	Beskrivelse	Notes
1	101118057	1	SEAL KIT FOR CYLINDER BLOCK NA6	
2	101118266	1	PISTON KIT NA6 CL9	
3	101118059	1	RETURN SPRING - KIT NA6	
4	101118060	1	CYLINDER BLOCK - KIT NA6	
5	106408197	1	PUMP HEAD D24 NA6	
6	2767	1	Pakning 10,5X2	
7	1813393	1	Skruer M10X100	
8	101118063	1	INLET MANIFOLD KIT - NA6	
9	101118062	1	OUTLET/INLET VALVE KIT - NA6	
10	101118276	1	WATER SEAL KIT - NA6	
11	23221	1	HOSE CLAMP 20-32	
12	107141671	1	RUBBER ELBOW C3	
13	107143165	1	HOSE COLLECTOR	
14	1609300	1	Slangestuds	
15	8298	1	Spændebånd	
16	107143031	1	FUELFLEX HOSE D28/D20 10BAR/20°	
17	106408243	1	HOSE 1/4INCH TRANSPARENT - 5 METERS	
18	31410	2	SCREW M6 X 50 DIN 912 8.8 FZG	



Pos.	Vare-nr	Antal	Beskrivelse	Notes
1	9543	4	CYLINDER SCREW M8X55 ISO 4762 ST 8.8/ZN	
2	107144137	1	Unloader Plug Na5	
3	6221529	1	Dæksel F. Ventilhus	
4	101118183	1	PISTON KIT FOR VENTING VALVE	
5	101117890	1	Housing For Venting Valve	
6	3001740	1	O-Ring 7,66X1,78 Nitril	
7	101118280	1	VENTURI TUBE Ø3.1 - KIT MH	
8	101117924	1	Prop For Mpu 1/8	
9	101118282	1	SUCTION VALVE FA SQUARE - KIT MH	
10	1821	1	Fitting	
11	3001740	1	O-Ring 7,66X1,78 Nitril	
12	106408259	1	NA6 FA BYPASS MH	
13	106408196	1	WASHER D12.95 X D4.6 X 0.9 BRASS	
14	106408195	1	RETAINING RING SIZE 13 DIN472	
15	106408189	1	NUT M8 X 1 FOR UNLOADER VALVE FA	
16	106408188	1	DIN 913 M4X20 POINTED SCREW	
17	107143003	1	REGULATOR KNOB NA5/NA6 NILFISK	
17	107143004	1	REGULATOR KNOB NA5/NA6 GERNI	[1]
18	101118050	1	SEALING KIT FOR NA6	
19	101118051	1	PLUG FOR UNLOADER VALVE FA - KIT NA6	
20	101118049	1	CONTROL UNIT - KIT NA6	
21	6100928	1	Kontramøtrik	
22	6100940	1	Justerskrue	
23	3001070	1	O-ring Ø13,1 x 1,6 Nitril	
24	1802644	1	Kugle Ø7 Rf	
25	101118118	1	OPENING VALVE REP. KIT NA5 NA6 FA	
26	1601079	1	Ligeforskruning	
27	1801075	2	Tætningskive 3/8"	
28	101118094	1	COUPLING KIT 90D ISO 8434 M18X1.5 THREAD	
29	107143005	1	PLATE FOR REG. KNOB	
30	101118094	1	COUPLING KIT 90D ISO 8434 M18X1.5 THREAD	
31	107307340	1	NIPPLE FOR ACCUMULATOR	
32	63090	1	Trykudligner	

Part Notes:

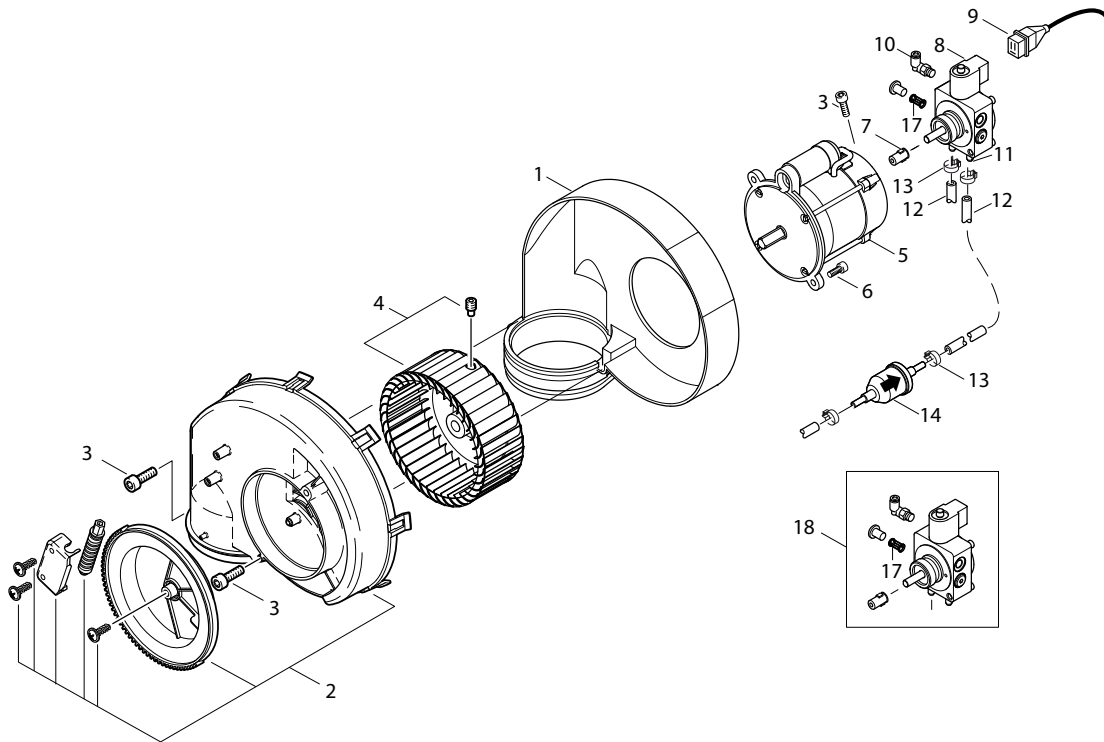
[1] - ALTERNATIVE USE 107143003 BLUE



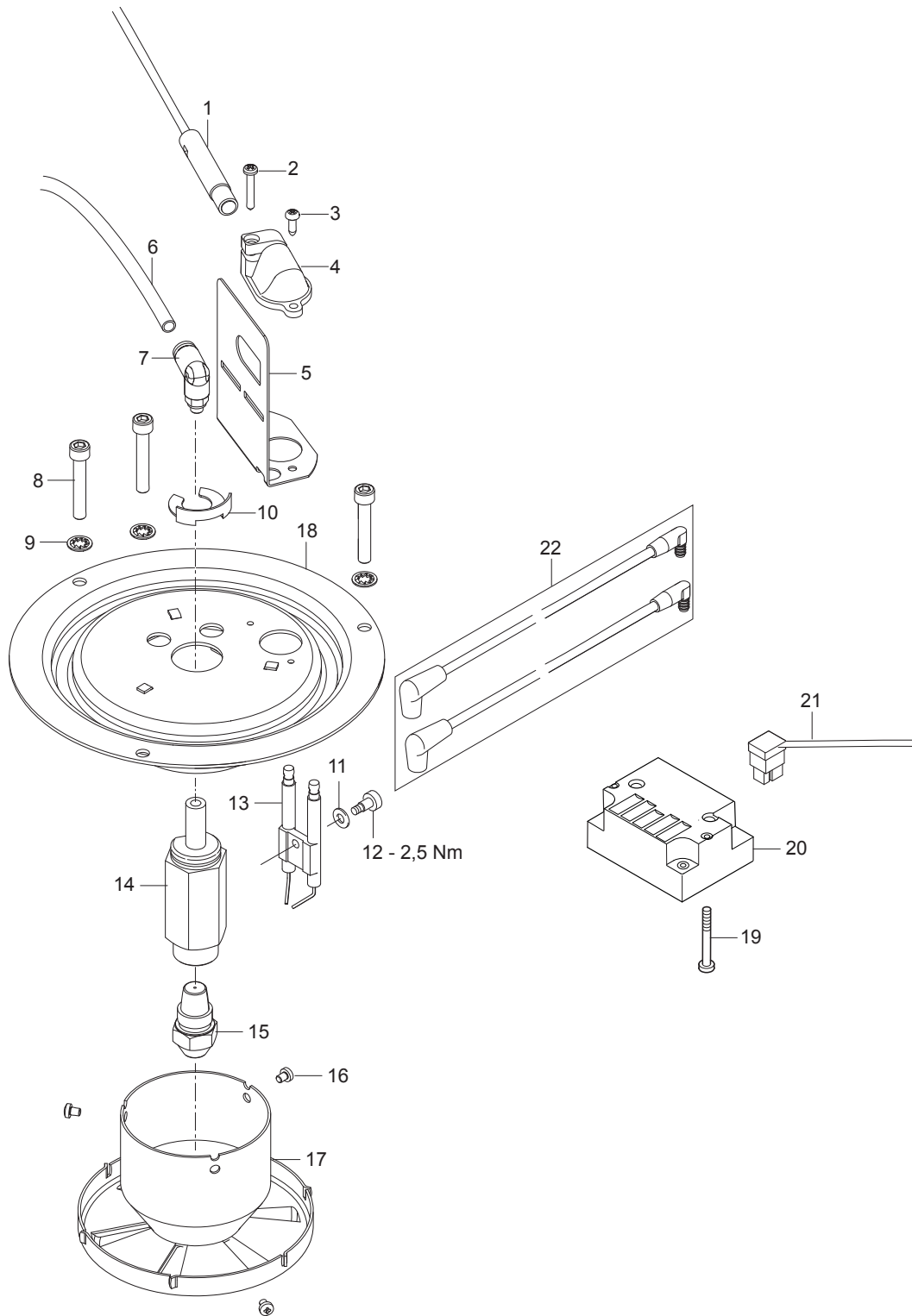
Pos.	Vare-nr	Antal	Beskrivelse	Notes
2	101118190	1	MALE STUD M18X1.5 KIT	
3	101118055	1	MAGNET AND HOUSE FOR FLOW SWITCH-KIT NA6	
4	107143121	2	REED SWITCH NO W/CABLE	
5	101118033	4	Screw M3X6 Brass Din 84 Iso 1207 Kit	
6	101118308	1	FLOW CONTROL HOUSING FA	
8	1119566	2	Rep. sæt kontraventil	
9	6201535	1	Sæde til kontraventil	
10	1119318	1	Rep. sæt til kontraventil	
11	11654	2	Slangeklemme	
12	101406100	0.92	Kemislange, 5 Meter	
13	101117896	1	Non Return Valve W/Magnet	
14	101118191	1	SEALING KIT FOR MALE STUD	
15	101118230	1	MALE STUD F.NON-RET.VALVE 1/2	
16	1807932	1	Selvtættende Spændeskive	
17	6101038	1	Stempel	
18	107143155	1	PISTON HOUSING 1/2	
19	107143171	1	HP HOSE DN10 3/8 DKL/DKL 90DEG M18X1.5	
20	107143172	1	PIPE FLOW CONTROL NA6-NA6+C3/B7	
21	101118094	1	COUPLING KIT 90D ISO 8434 M18X1.5 THREAD	
19+20+21	101118293	1	HP HOSE AND CONNECTION PIPE KIT	[1]

Part Notes:

- [1] - TSB-PPW-2018-005 MH 6_MH 7 Pipe to flow control changed
 DE TSB-PPW-2018-005 MH 6 MH 7 Hochdruckleitung zu der Flusststeuerung wir...
 TSB-PPW-2018-005 MH6 et 7P, nouveau tube pour le controleur de débit



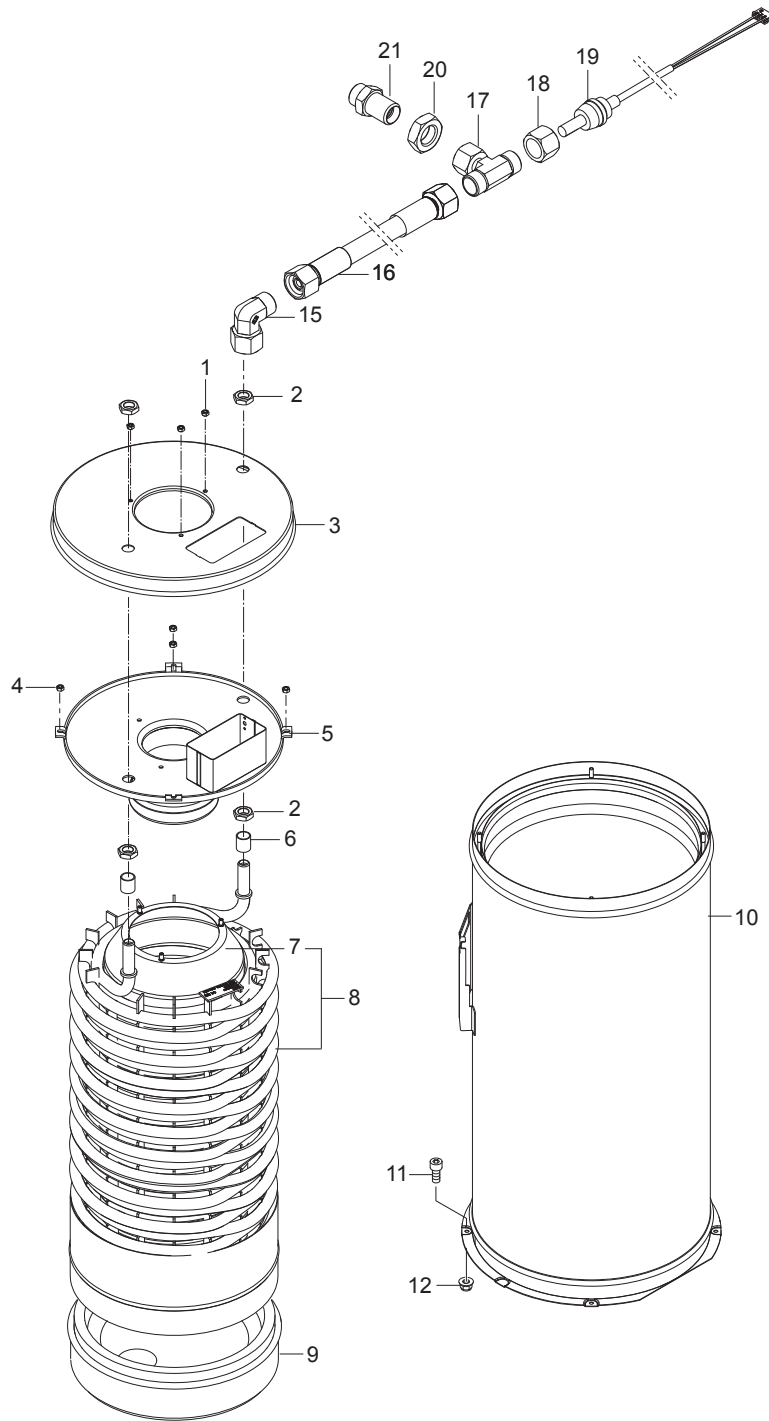
Pos.	Vare-nr	Antal	Beskrivelse	Notes
1	301000495	1	Kedelblæse Hus	
2	301000852	1	Dæsel For Kedelblæserhus	
3	32535	3	SCREW M5X16	
4	301000889	1	Kedelblæsehjul	
5	107143096	1	MOTOR BURNER - 0.23KW/230V/50HZ/1PH	
6	4697	2	SCREW M6X16	
7	101117707	1	Coupling For Oil Pump Bfa 01 L3L	
8	3821089	1	Spole (Danfoss)	
9	107143095	1	CABLE FOR SOLENOID VALVE 2X0.5	
10	101117706	1	Push-In Angle Fitting	
11	101117777	1	HOSE CONNECTIONS FOR OIL PUMP BFA 01 L3	
12	106408244	1	Slange Ø6X2.5 - 5 meter	
13	301001133	2	Slangeklemme Ø10/7	
14	301002926	1	Filter	
17	31001081	1	FILTER FOR OIL PUMP	
18	101117673	1	Oilepumpe Incl. Fittings	



Pos.	Vare-nr	Antal	Beskrivelse	Notes
1	107143100	1	FLAME SENSOR WITH CABLE	
2	5606	1	Metal Skrue	
3	4036	1	Skrue 2,9X9,5	
4	301000934	1	Holder Flammeføler	
5	107143101	1	SHIELD FOR FLAME SENSOR	
6	909100141	1	Slange	
7	101117913	1	Elbow 4/M5 Push-In	
8	3873	3	SCREW M5X30	
9	3376	3	Låseskive	
10	101117876	1	Circlips	
11	909100144	1	Fjederskive	
12	909100143	1	Skrue	
13	301150009	1	Tændelegtrode	
14	101117915	1	Oil Nozzle Holder	
15	101118013	1	Oliedyse 2.25 Gal/H 60	
16	51848	3	Skrue	
17	301001833	1	Luffordeler	
18	301000606	1	Dæksel	
19	909100149	2	Skrue 5X50	
20	101117759	1	Tændtransformer 220-240V	[1]
21	107143098	1	PRIMARY CABLE FOR IGNITION COIL	
22	101118220	1	2 X IGNITION CORDS KIT	

Part Notes:

- [1] - TSB-PPW-2018-004 Boiler cannot start - no ignition
FR TSB-PPW-2018-004 Le bruleur ne démarre plus
DE TSB-PPW-2018-004 Brenner startet nicht - keine Zündung



Pos.	Vare-nr	Antal	Beskrivelse	Notes
0	107144780	1	HEAT EXCHANGER B7 SS, MH	
1	3136	3	Møtrik	
2	7012	4	Møtrik	
3	31001162	1	OUTER BOILER TOP B5 - B7	
4	12263	4	HEXAGON NUT M6	
5	31001166	1	INSIDE BOILER TOP CPL. B7	
6	301000582	2	BUSHING Ø22X1.5X24	
7	301000541	1	Flammerør NEPTUNE 5+7	
8	31001167	1	COIL WELDED B7	
8	107143300	1	COIL B7 SS, MH	[1]
9	301000916	1	Isolation	
10	31001168	1	JACKET CPL. B7	
11	4697	2	SCREW M6X16	
12	11619	2	Møtrik M6	
15	101118094	1	COUPLING KIT 90D ISO 8434 M18X1.5 THREAD	
16	106268112	1	HP HOSE DN10 L625MM SPARE PART	
17	101118093	1	T-FITTING M18 X 1.5 THREAD	
18	1081	1	Tilslutningsmøtrik, Galv.	
19	107143083	1	TEMPERATUR SENSOR PT100 W/CABLE	
20	1803220	1	Kontramøtrik M18X1,5	
21	107143082	1	OUTLET FITTING	

Part Notes:

- [1] - TSB-PPW-2017-011 Stainless Steel heat exchangers new stay material and new spare part numbers

