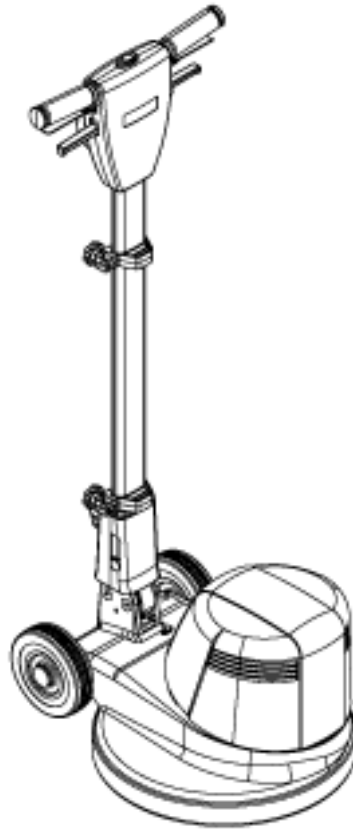


# PARTS LIST

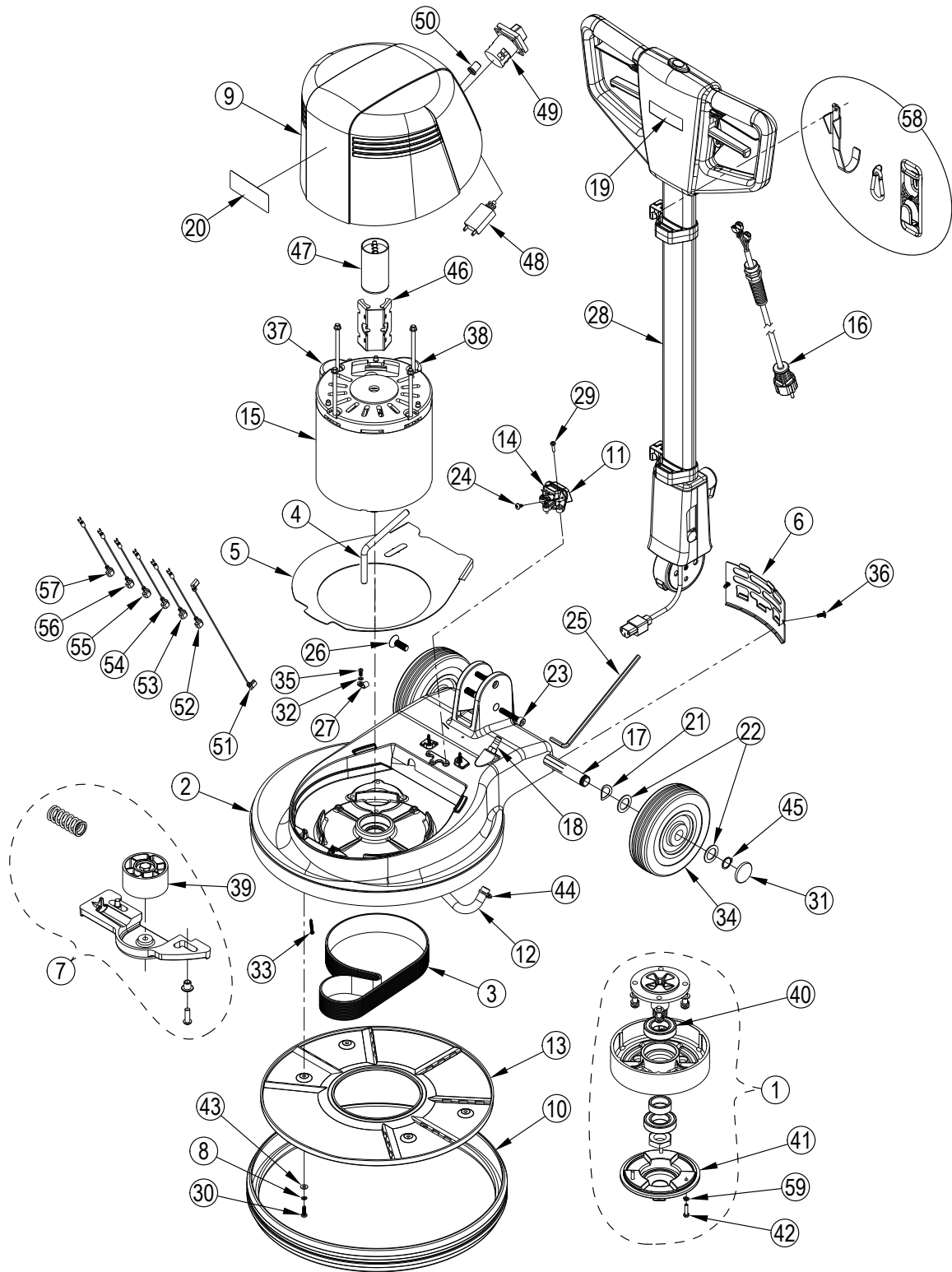


2018.10.03

# TABLE OF CONTENTS

---

Base System-FM400 Dual Speed .....	1
Handle system .....	4
Recommended spare parts .....	7
Brush selector guide .....	10
Accessories .....	12
Solution tank kit 10104A .....	14
Spray buff kit 11295A .....	16
Dust collection kit 56381571 .....	18

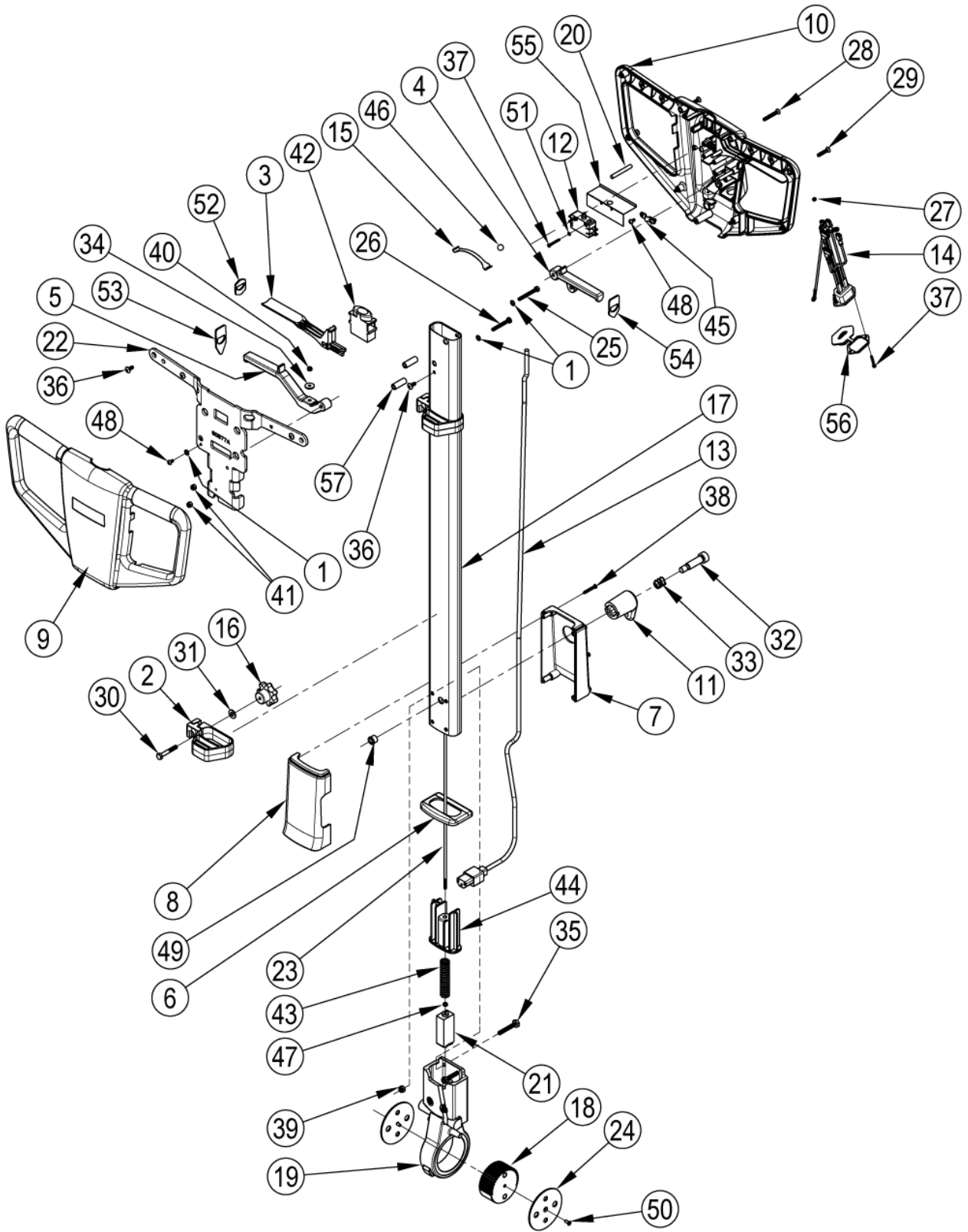


Pos.	Vare-nr	Antal	Beskrivelse	Notes
1	56380089	1	Spindel	[1]
2	56380093	1	MAINFRAME NILFISK FM400	
3	56380104	1	BELT POLY V 838 PJ16	
4		1	Inlet Tubing	
5	56381565	1	COOLING PLATE	
6	56381566	1	BACK COVER	
7	56381579	1	BELT TENSION ASM	
8		4	Washer M5 Helical Lock	
9		1	Cover-Dual Speed Nilfisk	[2]
10	30272A	1	BUMPER	
11		1	Mount Inlet	
12		1	Hose Solution	
13		1	Cover Bottom	
14		1	Inlet IEC 60320 C14	
15	56384181	1	MOTOR DUAL SPEED	[3]
16	40268A	1	CORD POWER	
16	40249A	1	CORD POWER UK	
17	61956A	1	Aksel	
18		1	Hosebarb Straight	
19		1	Label Handle Nilfisk	
20		1	Label Cover Motor FM400	
21		2	Washer Bowed 20mm	
22		4	Washer Flat 20mm	
23		2	Screw M8 - 1 X 45 Socket Recess	
24		2	Screw St4.2-1.4 X16 Ss Truss Hd Ph	
25		1	Wrench Allen 6mm	
26		2	Screw M10-1.5 X 30 Flat Head	
27		1	Clamp-1/4 Cable/Tubing	
28	56382011	1	NILFISK HANDLE ASM W/CEE 7/7	[4]
28	56382012	1	NILFISK HANDLE ASM W/BS-1363	[5]
29		3	Scr, M4.7x16mm Pan Cross Recess Thd Form	
30		4	Screw M5-.8 X 16	
31	VA96851	2	WHEEL CAP	
32		1	Washer External Tooth M4	
33		4	Screw St4-1.4 X 30 Pan Head	
34		2	Wheel 160mm Dia. Gray	
35		1	Scr M4 X 10 SS Pan Cross Recess	
36	GT13054	2	SCREW PAN HEAD M5X12	
37	VF999848	1	RUN CAPACITOR 23F/500V	
38	GT17004	1	CAPACITOR	
39	56380090	1	FLAT IDLER ASM	
40	VF14061	2	BEARING 6006	
41	56380099	1	DRIVER	
42		3	Scr-Hex SS M5-0.8 x 20	
43		4	Washer M5 X 12	
44		1	Hose Clamp 10MM	
45	VF14004	2	RETAINING RING EXTERNAL f19	
46	56381562	1	SADDLE START SWITCH	
47	47378A	1	Kontakt Kit	
48	56168786	1	CIRCUIT BREAKER 13A	[6]
49	56384044	1	ROTARY SWITCH	[7]
50	56384432	1	CIRCUIT BREAKER BOOT	
51	56384438	1		
52	56384439	1		
53	56384440	1		
54	56384441	1		
55	56384442	1		
56	56384443	1		
57	56384444	1		

Pos.	Vare-nr	Antal	Beskrivelse	Notes
58	56382010	1	CONVENIENCE KIT	
59		3	Washer M5 Helical Lock	
K1	11282A	2	Hjul kit	[8]
K2	11287A	1	DECAL KIT NILFISK	[9]
K4	56384047	1	COVER -DUAL SPEED NILFISK KIT	[10]
K5	56382001	1	INSTALLATION TOOL AND HARDWARE KIT	[11]
K6	56380089	1	Spindel	[12]
K7	11284A	1	SOLUTION FITTINGS KIT	[13]
K8	11267A	1	BOTTOM COVER KIT	[14]
K9	11283A	1	INLET KIT	[15]
K10	56381579	1	BELT TENSION ASM	[16]

## Part Notes:

- [1] - Contain items 40,41,42,59  
TSB-FC-2013-108 foam protection kit for SD  
TSBFC 2013-108 FM Spintec Schaumschutz Satz
- [2] - FM400 D Motor Cover Kit 56381564 is obsolete and replaced by Cover-Dual Speed Nilfi sk Kit 56384047 starting at serial number 20151006960 for FM400D, and 2015xx02581 for FM400D UK.
- [3] - Dual Speed Motor 40259A is obsolete and replaced by 56384181 starting at serial number 20151006960 for FM400D, and 2015xx02581 for FM400D UK  
TSB-FC-2015-027 upgrade FM400  
DE TSB-FC-2015-027 FM400 Spintec 443 Verbesserungen
- [4] - (includes 16 / PN 40268A)
- [5] - (includes 16 / PN 40249A)
- [6] - GUARANTEE DATE EXPIRED
- [7] - Rocker Switch 40264A is obsolete and replaced by Rotary Switch 56384044 starting at serial number 20151006960 for FM400D, and 2015xx02581 for FM400D UK.
- [8] - pos. 21,22,31,34
- [9] - pos. 19,20
- [10] - FM400 D Motor Cover Kit 56381564 is obsolete and replaced by Cover-Dual Speed Nilfi sk Kit 56384047 starting at serial number 20151006960 for FM400D, and 2015xx02581 for FM400D UK.  
TSB-FC-2015-027 upgrade FM400  
pos. 9,33,49-57
- [11] - pos. 23,25,26,27,35
- [12] - pos. 1,40,41,42
- [13] - pos. 4,12,18,44
- [14] - pos. 8,13,30,43
- [15] - pos. 11,14,24,29
- [16] - pos. 7,39



Pos.	Vare-nr	Antal	Beskrivelse	Notes
01		3	WASHER SH 1210-00	
02		2	ACCESSORY CLAMP	
03		2	LEVER SWITCH	
04		1	LEVER SOLUTION	
05		1	LEVER HANDLE ADJUSTMENT	
06		1	CAP RUBBER	
07		1	COVER REAR	
08		1	COVER FRONT	
09		1	COVER HANDLE FRONT	
10		1	COVER HANDLE REAR	
11		1	HOOK CORD	
12	40263A	1	Kontakt	
13	40269A	1	INTERCONNECT CORD	
14		1	OUTLET / WIRING ASSEMBLY	
15		1	SPRING INTERLOCK BUTTON	
16		2	KNOB CLAMP M6	
17		1	TUBE HANDLE	
18		1	INDEX GEAR	
19		1	HANDLE MOUNT	
20		4	PIN HANDLE SUPPORT	
21		1	PLUNGER	
22		1	HANDLE SUPPORT	
23		1	ROD INDEX	
24		2	PLATE, GEAR HOUSING	
25		1	SCREW M5 X 43 SS HEX HEAD	
26		1	SCREW M5 X 40 SS PAN HEAD PHILLIPS	
27		2	NUT HEX M3-0.5 SS	
28		2	SCREW M5 X 35 SS FLAT HEAD PHILLIPS	
29		6	SCREW M5 X 25 SS FLAT HEAD PHILLIPS	
30		2	SCR M6-1 X40 HEX SS	
31		2	WASHER FLAT 6.6X15.8X1.5 SS	
32		1	SCR SHOULDER 12MM X 35MM, M10-1.5	
33		1	SPRING 15 MM X 15 MM LONG	
34		1	WASHER M4 X16	
35		4	SCREW M6 X 40 SS HEX HEAD	
36		5	SCREW M5 X 12 SS TRUSS HEAD PHILLIPS	
37		4	SCREW M3 X 25 SS PAN HEAD PHILLIPS	
38		4	SCREW ST4-1.4 X 30 PAN HEAD1	
39		4	NUT M6 SS NYLON INSERT	
40		1	NUT M4 SS NYLON INSERT	
41		2	NUT M5 SS NYLON INSERT	
42		1	BUTTON INTERLOCK	
43		1	SPRING COMPRESSION	
44		1	HOUSING SPRING BLACK	
45		1	CLAMP CORD	
46		1	BALL INTERLOCK 10MM	
47		1	NUT M4 SS JAM	
48		4	SCREW, M4 X 8 SS PAN HEAD PHILLIPS	
49		1	BUSHING-OPEN/CLOSED .50	
50		2	SCR M4-.7 X 10MM FLT PHILLIPS	
51		2	WASHER M3 EXTERNAL TOOTH	
52		2	SWITCH LEVER SEAL	
53		1	RELEASE LEVER SEAL	
54		1	ACCESSORY LEVER SEAL	
55		1	SWITCH DRIP GUARD	
56	VF73708	1	WATERPROOF CAP	
57		2	SUPPORT HANDLE TUBE	
K1	11269A	1	CORD WRAP KIT	[1]
K2	11280A	1	HANDLE COVER KIT	[2]

Pos.	Vare-nr	Antal	Beskrivelse	Notes
K3	11273A	1	HANDLE SUPPORT KIT	[3]
K4	11274A	1	Udløserkit til håndtag	[4]
K5	11286A	1	RELEASE SPRING AND ROD KIT	[5]
K6	56381560	1	POLISHER GEAR SET KIT	[6]
K7	56381561	1	POLISHER GEAR HOUSING AND TUBE KIT	[7]
K8	11270A	1	OUTLET KIT	[8]
K9	11268A	2	MOUNT ACCESSORY KIT	[9]
K10	11271A	1	REAR AND FRONT COVER KIT	[10]

## Part Notes:

- [1] - POS. 11, 12, 13, 32, 33
- [2] - POS. 9, 10, 28, 29
- [3] - POS. 1, 22, 25, 26, 36, 41
- [4] - POS. 3, 4, 5, 15, 20, 34, 37, 40, 42, 45, 46, 48, 51, 52, 53, 54, 55
- [5] - POS. 23, 34, 40, 43, 47
- [6] - POS. 18, 21, 24, 50
- [7] - POS. 17, 19, 35, 39, 44
- [8] - POS. 14, 27, 37
- [9] - POS. 2, 16, 30, 31
- [10] - POS. 6, 7, 8, 38, 49



**No  
Diagram  
Available**

**Parts List  
Only**

Pos.	Vare-nr	Antal	Beskrivelse	Notes
			FINAL ASSEMBLY	
			Extra-Ordinary Maintenance	
	40268A	1	CORD POWER	
	40249A	1	CORD POWER UK	
	56382010	1	CONVENIENCE KIT	
	56382011	1	NILFISK HANDLE ASM W/CEE 7/7	[1]
	56382012	1	NILFISK HANDLE ASM W/BS-1363	[2]
			BASE SYSTEM	
			Ordinary Maintenance	
	56380090	1	FLAT IDLER ASM	
	56380099	1	DRIVER	
	56380104	1	BELT POLY V 838 PJ16	
	30272A	1	BUMPER	
	56168786	1	CIRCUIT BREAKER 13A	[3]
	56384044	1	ROTARY SWITCH	
	56384432	1	CIRCUIT BREAKER BOOT	
	47378A	1	Kontakt Kit	
	VF14061	2	BEARING 6006	
	VF32109	1	RUNNING CAPACITOR 20UF/600V	[4]
	VF999848	1	RUN CAPACITOR 23F/500V	[5]
	VF999849	1	START CAPACITOR 100F/300V	[4]
	GT17004	1	CAPACITOR	[6]
	GT17003	1	CAPACITOR	[7]
			Extra-Ordinary Maintenance	
	56380089	1	Spindel	[8]
	56380093	1	MAINFRAME NILFISK FM400	[9]
	56380094	1	MAINFRAME NILFISK FM400 D	[10]
	56381562	1	SADDLE START SWITCH	
	56381566	1	BACK COVER	
	56381565	1	COOLING PLATE	
	56381579	1	BELT TENSION ASM	
	11287A	1	DECAL KIT NILFISK	
	56381563	1	NILFISK MOTOR COVER KIT	
	56384153	1	COVER HIGH SPEED NILFISK KIT	
	56384047	1	COVER -DUAL SPEED NILFISK KIT	
	11267A	1	BOTTOM COVER KIT	
	11282A	2	Hjul kit	
	11283A	1	INLET KIT	
	11284A	1	SOLUTION FITTINGS KIT	
	56384180	1	MOTOR LOW SPEED	
	56384181	1	MOTOR DUAL SPEED	
	56384182	1	MOTOR HIGH SPEED	
	61956A	1	Aksel	
	53190A	1	START SWITCH	[11]
			HANDLE ASSEMBLY	
			Ordinary Maintenance	
	11268A	2	MOUNT ACCESSORY KIT	
	11274A	1	Udløserkit til håndtag	
	40263A	1	Kontakt	
			Extra-Ordinary Maintenance	
	56381560	1	POLISHER GEAR SET KIT	
	56381561	1	POLISHER GEAR HOUSING AND TUBE KIT	
	11269A	1	CORD WRAP KIT	
	11270A	1	OUTLET KIT	
	11271A	1	REAR AND FRONT COVER KIT	
	11273A	1	HANDLE SUPPORT KIT	
	11280A	1	HANDLE COVER KIT	
	11286A	1	RELEASE SPRING AND ROD KIT	
	40269A	1	INTERCONNECT CORD	

---

Pos.	Vare-nr	Antal	Beskrivelse	Notes
	VF73708	1	WATERPROOF CAP	

## Part Notes:

- [1] - includes PN 40268A
- [2] - includes PN 40249A
- [3] - GUARANTEE DATE EXPIRED
- [4] - FM400 L, FM400 L UK
- [5] - FM400 H, FM400 H UK, FM400 D, FM400 D UK
- [6] - FM400 D, FM400 D UK
- [7] - FM400 H, FM400 H UK
- [8] - TSBFC 2013-108 FM Spintec Schaumschutz Satz  
TSB-FC-2013-108 foam protection kit for SD
- [9] - FM400
- [10] - FM400 D
- [11] - Only used on 56384180 AND 56384182. Revised or new since last update

**BRUSH SELECTOR GUIDE**

17" (430 mm) Brush Selection Chart (RECOMMENDED)			
Part No.	Description	Filament	Trim
11296A	Polishing	Union Mix (50% PALMYRA 50% White Tampico)	Straight
11297A	Carpet	Ø .30mm PA 66 Natural	Straight
11298A	Light-Medium Cleaning	Ø .35mm PP Grey	Straight
11299A	Medium-Heavy Cleaning	Ø .50mm PP Black	Straight
11310A	Heavy Cleaning/ Stripping	50/80/30 Silicon Carbide	Irregular

Description	P/N	56380056 FM400 L	56380057 FM400 L UK	56380058 FM400 H	56380060 FM400 H UK	56380061 FM400 D	56380062 FM400 D UK
Polishing Brush	11296A			X	X	X	X
Carpet Brush	11297A	X	X				
Light-Medium Cleaning Brush	11298A	X	X			X	X
Medium Cleaning Brush	11299A	X	X			X	X
Heavy Cleaning/Stripping Brush	11310A	X	X			X	X
Brush-Shampoo Commercial Crpt	56383868	X	X				
Pad Driver-Low Speed-430 MM	11315A	X	X			X	X
Pad Driver-High Speed-Flex	11316A			X	X	X	X
Pad Driver-High SP-Flex-Foam	56381578			X	X	X	X
BLACK 406mm PAD 5 PK		X	X			X	X
BROWN 406mm PAD 5 PK		X	X			X	X
GREEN 406mm PAD 5 PK		X	X			X	X
BLUE 406mm PAD 5 PK		X	X			X	X
RED 406mm PAD 5 PK		X	X	X	X	X	X
WHITE 406mm PAD 5 PK		X	X	X	X	X	X

- Black** – Stripping – For long lasting, heavy duty stripping.
- Brown** – Stripping – For fast, uniform stripping, wet or dry.
- Green** – Scrubbing – For wet, heavy duty scrubbing.
- Blue** – Scrubbing – For wet, medium duty scrubbing.
- Red** – Buf ng – For dry buf ng, spray buf ng or light duty scrubbing.
- White** – Polishing – For dry polishing or with ne water mist to ensure high gloss.

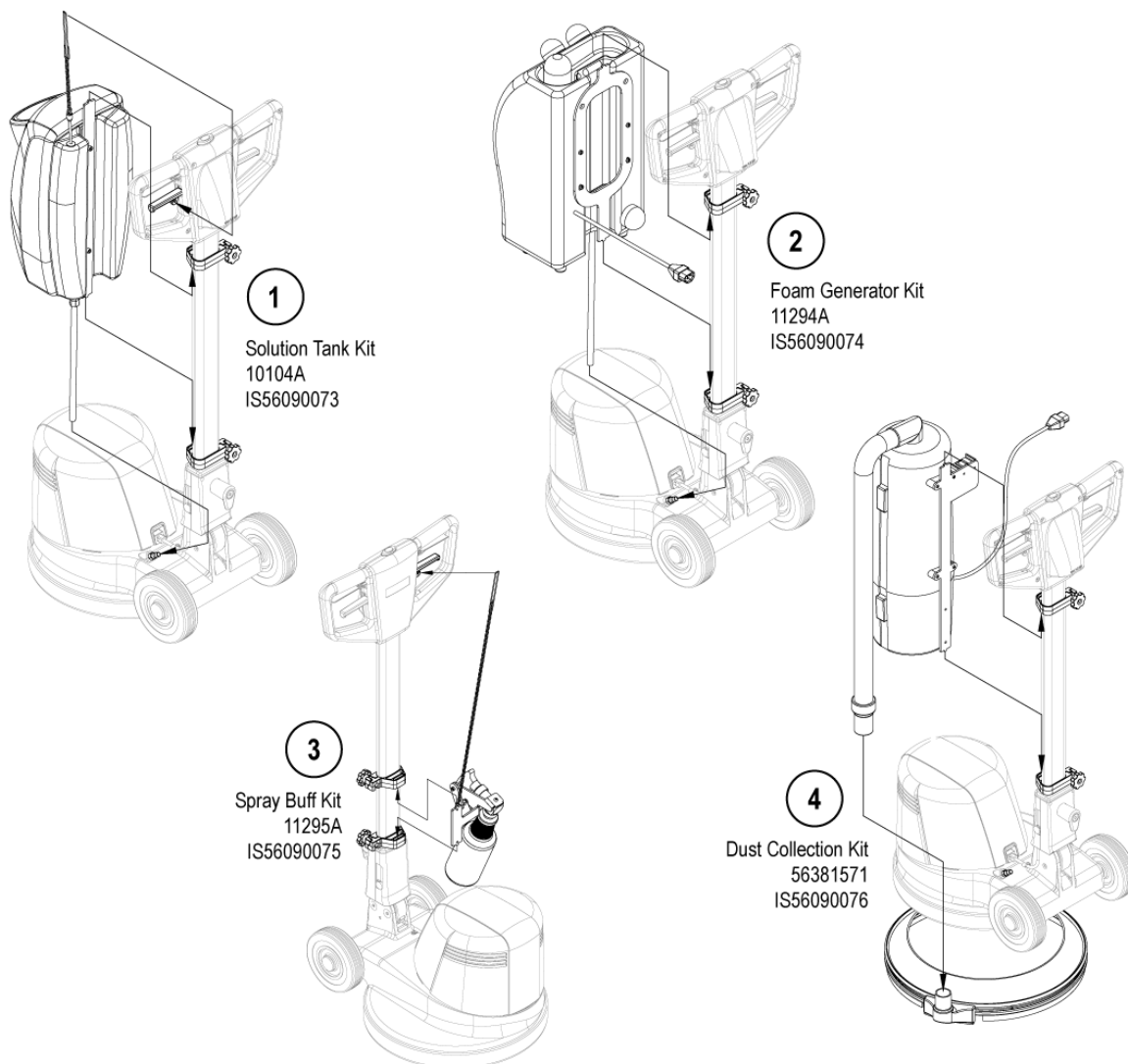
---

Pos.	Vare-nr	Antal	Beskrivelse	Notes
01	11296A	1	Børste til polering	
02	56383868	1	Børste, shamponering Ø430 mm	
03	11298A	1	Børste til let rengøring	
04	11299A	1	Børste til medium rengøring	
05	11310A	1	Børste til kraftig rengøring	
10	11315A	1	Rondelholder lav hastighed	
11	11316A	1	Rondelholder, standard	
12	56381578	1	Flexi rondelholder med skum	

Description	P/N	56380056 FM400 L	56380057 FM400 L UK	56380058 FM400 H	56380060 FM400 H UK	56380061 FM400 D	56380062 FM400 D UK
Literature Pack	56044439	X	X	X	X	X	X
(1) Solution Tank Kit*	10104A	X	X			X	X
(2) Foam Generator Kit*	11294A	X	X				
(3) Spray Buff Kit*	11295A	X	X	X	X	X	X
(4) Dust Collection Kit*	56381571			X	X	X	X

\* = Optional, Not Included

NOTE = Replacement parts for the kits listed above (1-4) can be found on each kit's associated instruction sheet.

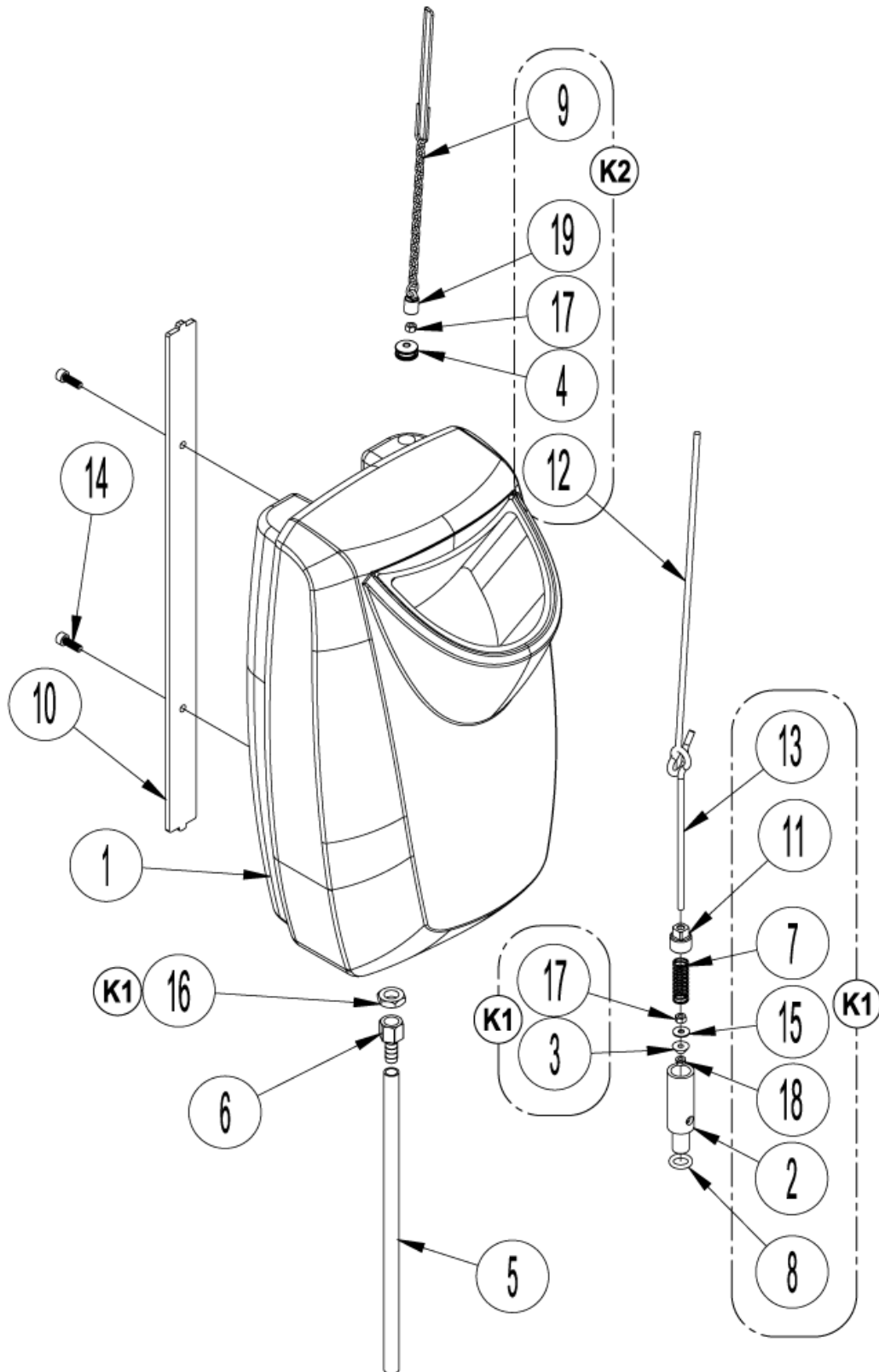


---

Pos.	Vare-nr	Antal	Beskrivelse	Notes
1	10104A	1	Rentvandstank	[1]
2	11294A	1	Skum-generator	[2]
3	11295A	1	Spraysystem	
4	56381571	1	Støvsuger og sideskørt kit	[3]

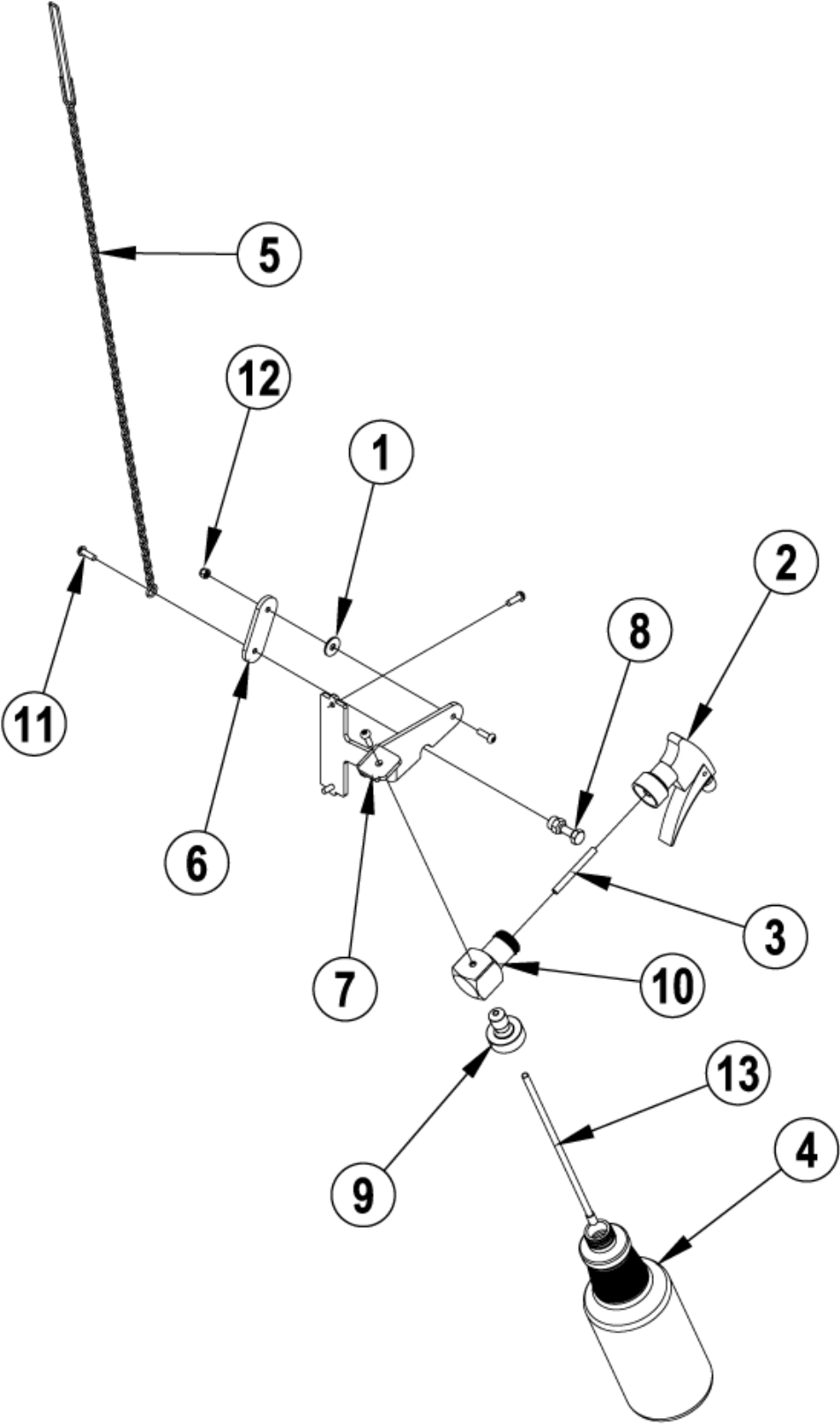
## Part Notes:

- [1] - Not for FM400 H
- [2] - Not for FM400H and FM400 D
- [3] - BOM COMPONENT OBSOLETE  
Not FM400 L





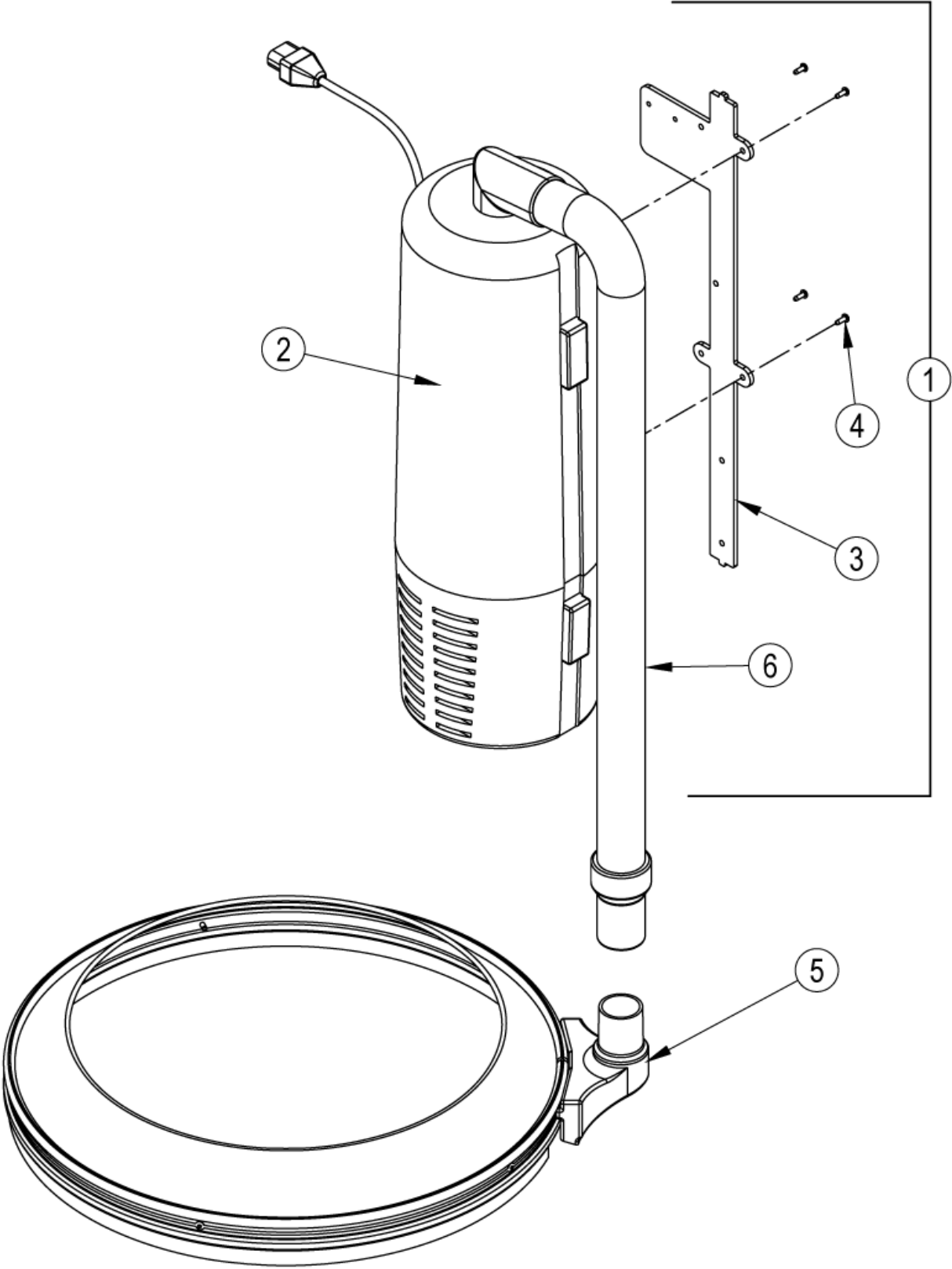
Pos.	Vare-nr	Antal	Beskrivelse	Notes
00	10104A	1	Rentvandstank	
01	30249A	1	TANK SOLUTION	
02		1	BODY VALVE PLASTIC	
03	VF40134	1	SEAL RUBBER	
04		1	SEAL	
05	30869A	1	TUBING VINYL	
06	51297A	1	x	
07		1	SPRING COMPRESSION S.S.	
08		1	O-RING	
09		1	CHAIN ASM	
10	60023A	1	BRACKET MOUNTING SOLUTION TANK	
11		1	BONNET M18X1.5 NYLON	
12		1	ROD UPPER PULLING BRASS	
13		1	ROD LOWER PULLING BRASS	
14	VF13498	2	SCREW M6X20	
15		1	WASHER, PLAIN 5MM BRASS	
16		1	NUT HEX M14X1.5 BRASS	
17		2	NUT HEX M5X0.8 BRASS	
18		1	NUT HEX FLANGED M5X0.8 BRASS	
19		1	NUT EYE M5	
K1	11278A	1	SOLUTION VALVE ASSEMBLY	
K2	11277A	1	SOLUTION TANK UPPER HARDWARE KIT	



Pos.	Vare-nr	Antal	Beskrivelse	Notes
00	11295A	1	Spraysystem	
01		1	Washerfl t.750x.250x.062Nylon	[1]
02		1	Spray Buff Pump	[2]
03		1	Tube	[3]
04		1	Bottle Plastic Quart Carafe	[4]
05		1	Chain Asm	[5]
06		1	Link Spray Buff	[6]
07		1	Bracket Spray Buff	[7]
08		1	Actuator	[8]
09		1	Mount	[9]
10		1	Adaptor	[10]
11	VA13474	5	SCREW M5 X 16	
12		1	Nut M5 Ss Nylon Insert	[11]
13		1	Tube Dip	[12]
K1	56382005	1	SPRAY BUFF REPAIR KIT	[13]

## Part Notes:

- [1] - Washerfl t.750x.250x.062Nylon
- [2] - Spray Buff Pump
- [3] - Tube
- [4] - Bottle Plastic Quart Carafe
- [5] - Chain Asm
- [6] - Link Spray Buff
- [7] - Bracket Spray Buff
- [8] - Actuator
- [9] - Mount
- [10] - Adaptor
- [11] - Nut M5 Ss Nylon Insert
- [12] - Tube Dip
- [13] - Includes pos. 2,3,4,5,8,11,13



Pos.	Vare-nr	Antal	Beskrivelse	Notes
00	56381571	1	Støvsuger og sideskørt kit	[1]
1		1	Dust Control Assy	[2]
2		1	Vacuum Assembly	
3		1	Bracket	
4		4	Screw M4-1.79 x 20mm	
5	10394A	1	Sideskørt til støvsugning	
6	147 1237 500	1	HOSE CPL.L1250	
NI	147 1098 500	1	Støvsugerposer 5 liter (5 stk.)	

## Part Notes:

- [1] - BOM COMPONENT OBSOLETE
- [2] - Refer to the GD 5, GD 10, GD 5 Battery parts list for Dust Control Assy replacement parts.

