

# PARTS LIST

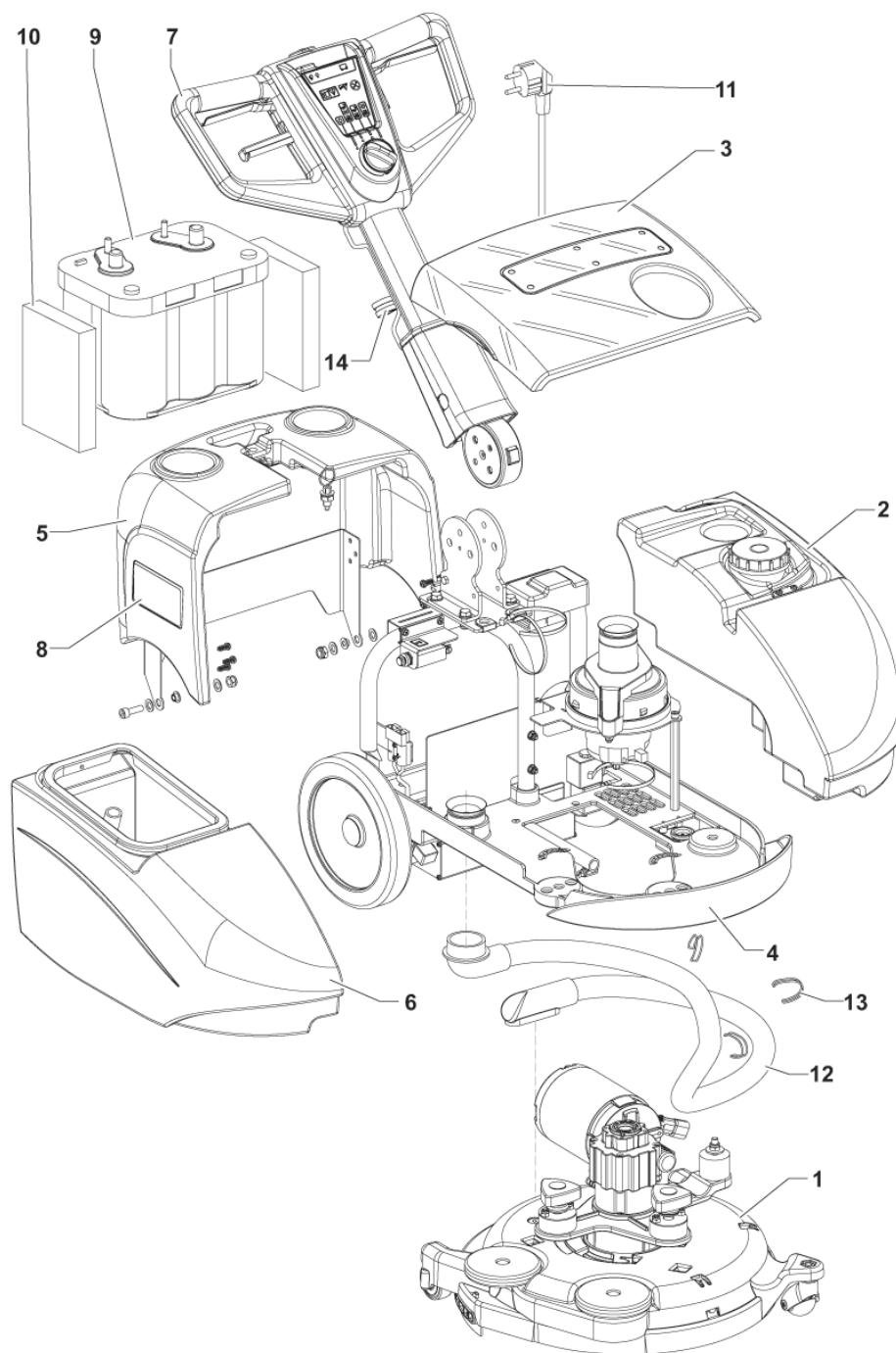


2018.08.16

# TABLE OF CONTENTS

---

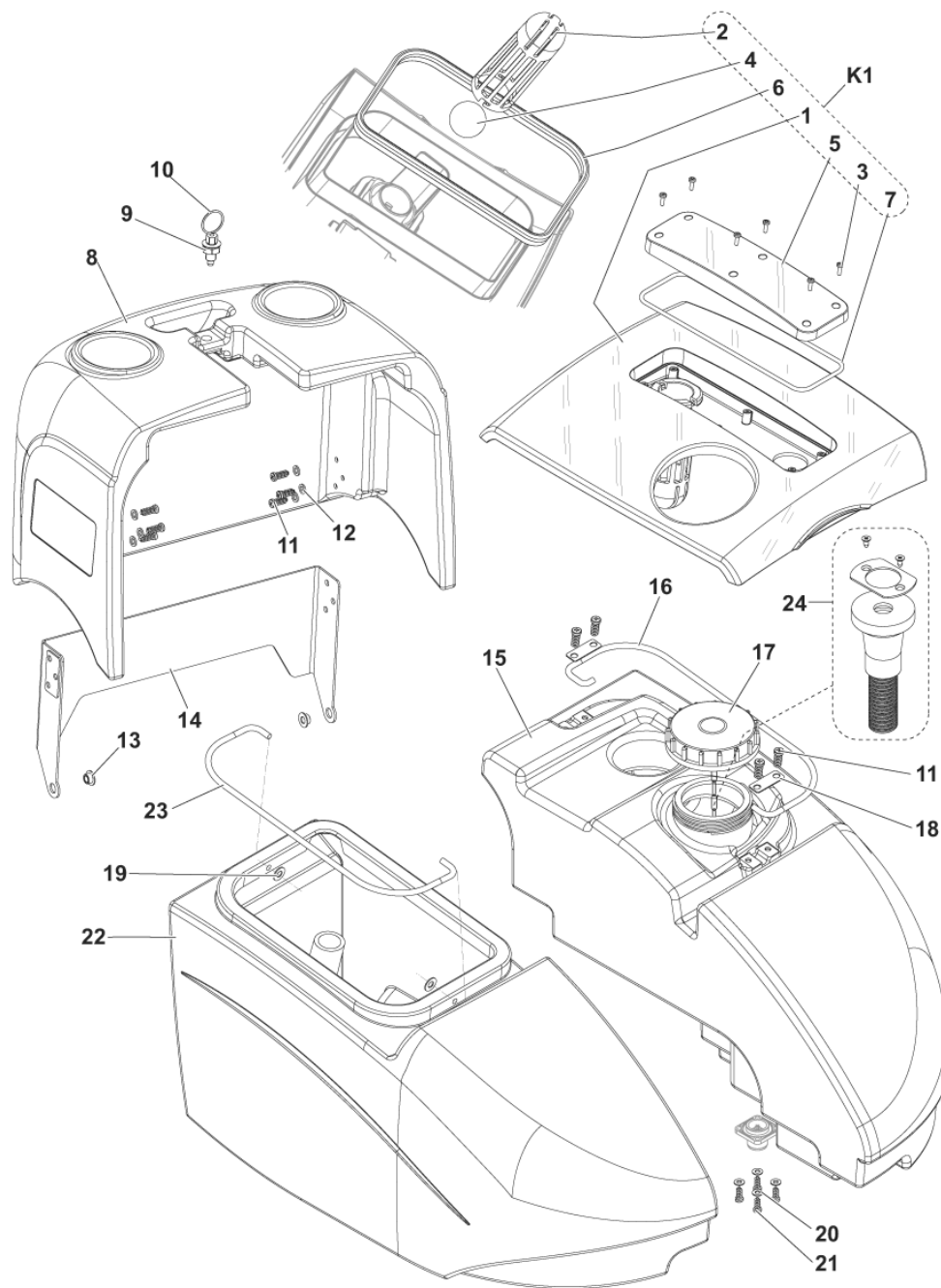
GENERAL VIEW .....	1
COVER AND TANKS .....	3
FRAME SYSTEM .....	5
HANDLE SUPPORT SYSTEM .....	7
HANDLE SYSTEM .....	9
MOTOR AND DECK SYSTEM .....	11
BRUSH DECK SYSTEM .....	13
ACCESSORIES .....	15
WIRING DIAGRAM .....	17
RECOMMENDED SPARE PARTS .....	19
OPTIONALS AND ACCESSORIES .....	21



Pos.	Vare-nr	Antal	Beskrivelse	Notes
1		1	BRUSH DECK	[1]
2		1	SOLUTION TANK	[2]
3		1	COVER TANK	[2]
4		1	FRAME	[3]
5		1	BATTERY COVER	[3]
6		1	RECOVERY TANK	[2]
7		1	HANDLE	[4]
8	9100000079	1	DECALS KIT SC351 NIL	[5]
8	9100000080	1	DECALS KIT SC351 ADV	[6]
9	9100001664	1	Batteri 12V 55A Optima	[7]
9	1464853000	1	Batteri 12V 87A AGM monoblok	[8]
10	9098934000	2	Panel, batteri, 30x170x110mm	
11	9100000787	1	CABLE EXTENSION EU PLUG L.2000 PKD	[5]
11	1466318000	1	CABLE EXTENSION UK PLUG L.2000MM SIP	[5]
11	9096914000	1	Cable Extension Us Plug	[6]
12	9099706000	1	HOSE SUCTION D.25	
13	9100001733	1	TIE CABLE 2.5x200 BLACK 10 PCS SET	
14	9099301000	1	HARDWARE GENERAL VIEW KIT	

## Part Notes:

- [1] - BRUSH DECK
- [2] - COVER AND TANKS
- [3] - FRAME SYSTEM
- [4] - HANDLE SYSTEM
- [5] - NILFISK VERSION
- [6] - ADVANCE VERSION
- [7] - ONLY FOR NILFISK
- [8] - OPTIONAL FOR NILFISK  
STANDARD FOR ADVANCE



Pos.	Vare-nr	Antal	Beskrivelse	Notes
2	9100001371	1	CAGE FLOAT PKD	
4	L08092600	1	Ventilbolt	
6	9099127000	1	Gummipakning L.705mm	
8	9098318000	1	BATTERY COVER	
9	145 1147 000	1	WASHER 10.2X18.8X0.35 10.2x18.8X0.35	
10	1466331000	1	PLUNGER M10 D.6 W/NUT PKD	
14	9098309000	1	SUPPORT BATTERY COVER	
15	9098149000	1	Rentvandstank Sc350	
16	9100000104	1	HANDLE SOLUTION TANK	
17	9100001202	1	CAP THREADED 70X5 PKD	
18	9098621000	2	Plate Handle Tank	
19	9098473000	2	COVER PIN	
22	9098148000	1	Snavsevandstank RAL7001	
23	9100000103	1	HANDLE RECOVERY TANK	
24	9099011000	1	Påfyldningsslange Kit	[1]
K1	9100002110	1	COVER TANK KIT	
K2	9098990000	1	HARDWARE COVER AND TANKS KIT	[2]

## Part Notes:

- [1] - OPTIONAL - SEE TSB-FC-2016-020  
 [2] - NOT SHOWN

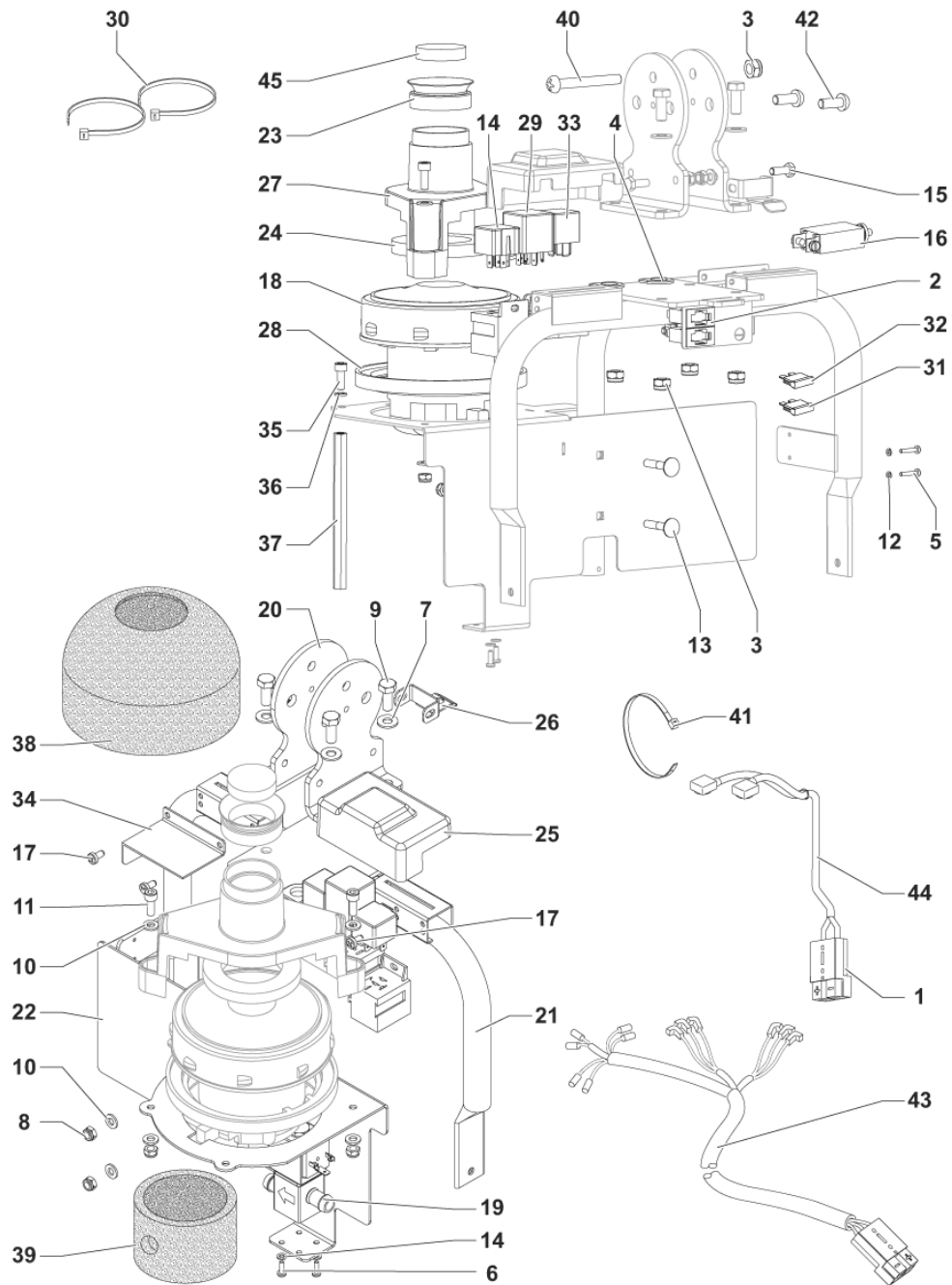


Pos.	Vare-nr	Antal	Beskrivelse	Notes
13	9099732000	2	Hjul Ø214mm grå/sort	
15	9100000713	1	Indbygget oplader 12V kit	[1]
15	9100002104	1	CHARGER BATT. O/B 12V 12A 100-230V JP	[2]
15	9100002103	1	CHARGER BATT. O/B 12V 12A 100-230V US	[3]
16	9100001958	1	GASKET PKD	
17	1467834000	1	BELT BATTERY FIXING SIP	
19	9099719000	1	SUPPORT FOR GASKET	
20	9100000514	1	VALVE WATER COMPLETE PKD	
25	9100002588	1	SHAFT WHEELS SS KIT	
30	9099927000	1	CHASSIS KIT	
K1	9098992000	1	Pipes Kit	[4]
K1	9100000476	1	HOSES SOLENOID VALVE 12V KIT	[5]
K2	9100000083	1	HARDWARE CHASSIS KIT	[6]

## Part Notes:

- [1] - NILFISK VERSION - INST.INSTR. 9100000712- SEE TSB-FC-2014-042
- [2] - NILFISK VERSION
- [3] - ADVANCE VERSION
- [4] - UNTIL SN 3510145009117
- [5] - STARTING SN 3510145009118
- [6] - NOT SHOWN

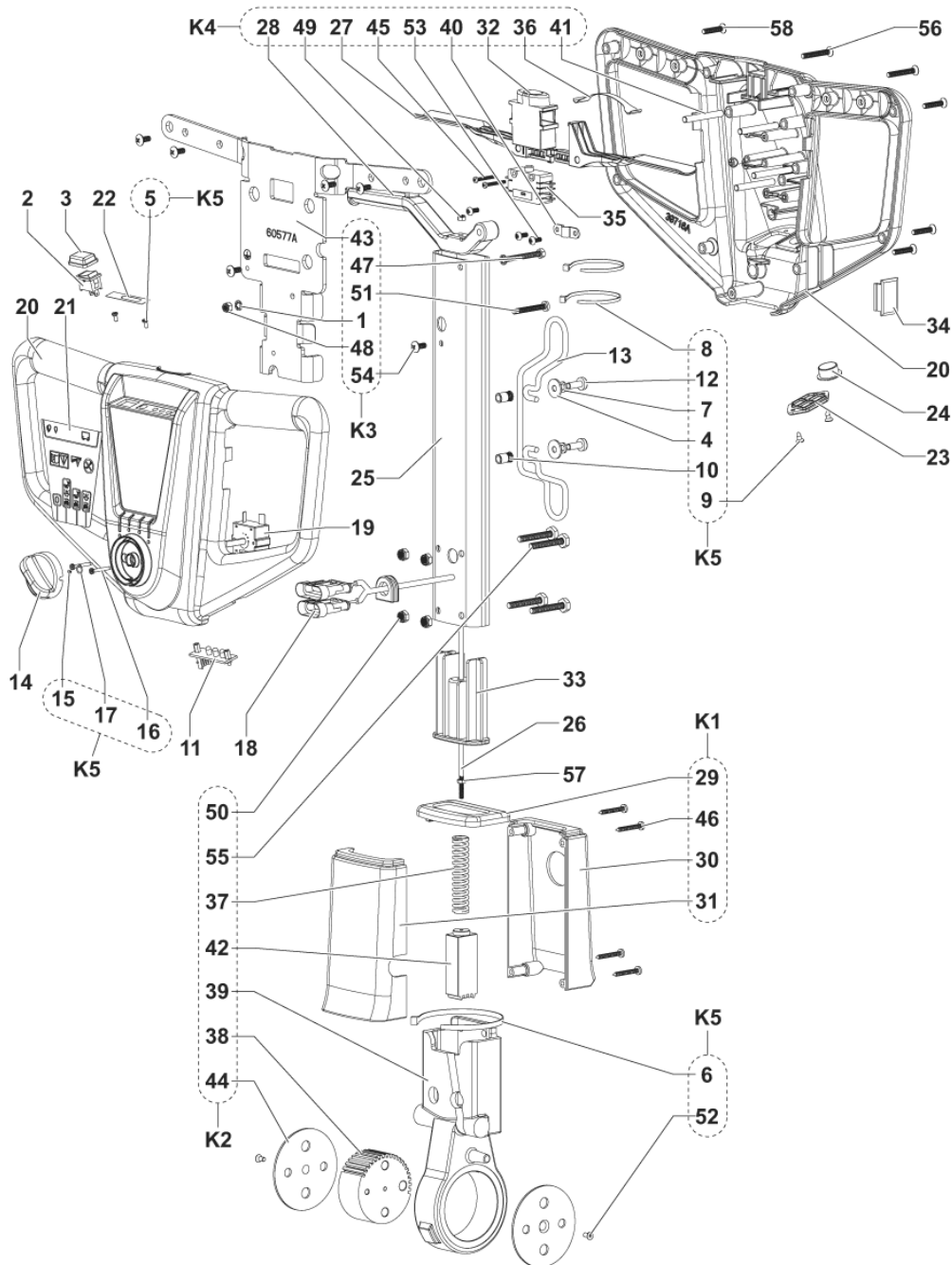




Pos.	Vare-nr	Antal	Beskrivelse	Notes
1	9098760000	2	CONNECTOR 50A GREY	
2	9098924000	2	FUSE HOLDER	
4	909 6542 000	2	GROMMET	
14	9098441000	1	Relæ 12 Volt	
16	9099802000	1	CIRCUIT BREAKER 35A KIT	
18	9100001238	1	MOTOR VACUUM 12V 200W SEALED PKD	
19	9098112000	1	Magnetventil 12V	[1]
19	9100000475	1	SOLENOID VALVE 12V PKD	[2]
20	9098185000	2	BRACKET HANDLE	
21	9100001411	1	SUPPORT HANDLE SIP	
22	9100002355	1	SUPPORT VACUUM MOTOR SIP	
23	9100001958	1	GASKET PKD	
24	9098327000	1	Pakning til sugemotor	
25	9098365000	1	COVER RELAY	
26	9098482000	1	BRACKET PLUNGER BLOCK	
27	9098483000	1	Cover til sugemotor	
28	9098554000	1	GASKET VACUUM MOTOR	
29	9098375000	1	Cyklisk timer	
31	145 8513 000	1	Sikring 30A	
32	145 9852 000	1	Sikring 5A	
33	146 3113 000	1	Relæ, 12V 70 A Tyco	
34	9099731000	1	SUPPORT CIRCUIT BRAKER	
37	9098559000	1	SPACER SUPPORT VACUUM MOTOR	
38	9098656000	1	Støjdæmpning	
39	9098925000	1	CASING LOWER VACUUM MOTOR	
43	9099330000	1	HARNESS MACHINE	[3]
43	9100000477	1	HARNESS MACHINE PKD	[4]
43	L08603885	1	CONNECTOR TYPE DIN 46340	[4]
44	9098849000	1	Harness Battery	
45	9100001278	1	FILTER VACUUM MOTOR PKD	
K1	9100000084	1	HARDWARE HANDLE BAR SUPPORT KIT	[5]

## Part Notes:

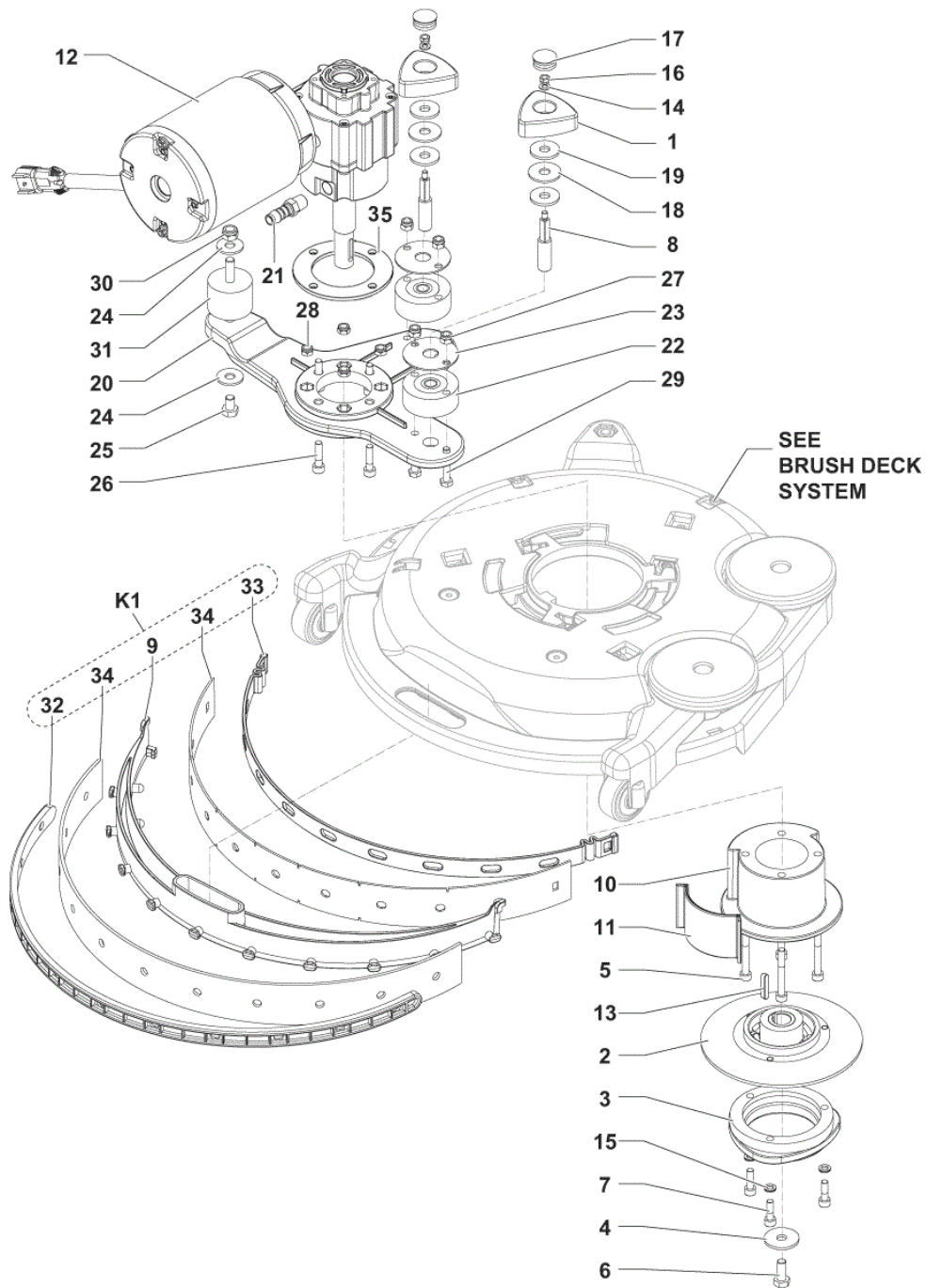
- [1] - UNTIL SN 3510145009117
- [2] - SOLENOID VALVE W/ HOSE - STARTING FROM SN 3510145009118
- [3] - STOCK COVERS GUARANTEE
- UNTIL SN 3510145009117
- [4] - STARTING SN 3510145009118
- [5] - NOT SHOWN



Pos.	Vare-nr	Antal	Beskrivelse	Notes
2	L08603153	1	Vanddoseringskontakt F/Ca340	
3	L08603154	1	Beskyttelsehætte Ca340 F/Vanddoseringsk	
11	146 3073 000	1	BOARD LED	
13	1466317000	1	SUPPORT CABLE KIT	
14	9097283000	1	KNOB CONTROL FUNCTIONS	
18	9099331000	1	HARNESS HANDLE BAR	
19	9099332000	1	SWITCH ROTATIVE 4 POSITIONS	
20	9100000101	1	COVERS HANDLE GREY KIT	
21	9099733000	1	DECAL CONTROL PANEL	
22	9098616000	1	DECAL BATTERY LED	[1]
23	9098812000	1	CAP FOR HANDLE	
24	9098813000	1	CAP D.18.5/D.24MM BLACK	
25	9098835000	1	TUBE OF HANDLE	
26	9098836000	1	ROD INDEX	
33	VF47033	1	RETAINER	
34	VF54041	1	HANDLE PLUG	
35	40263A	1	Kontakt	
56	80398A	2	SCREW M5X35 SS HEAD PHILLIPS	
57	VV13609	1	NUT M4	
58	80407A	4	SCREW M5X25 SS FLAT HEAD PHILLIPS	
K1	11271A	1	REAR AND FRONT COVER KIT	
K2	11272A	1	LOWER HOUSING KIT	
K3	11273A	1	HANDLE SUPPORT KIT	
K4	11274A	1	Udløserkit til håndtag	
K5	9098995000	1	HARDWARE HANDLE BAR KIT	

## Part Notes:

[1] - STOCK COVERS GUARANTEE



Pos.	Vare-nr	Antal	Beskrivelse	Notes
1	L08812203	2	Knob Ba450/530	
2	L08812306	1	Polyg. Flange Ba450/530	
3	L08812480	1	Polyg. Holder Ba450/530	[1]
8	9098557000	2	Pin Brush Plate Fixing	
10	9100000955	1	FLANGE DECK KIT	
11	9099736000	1	SPACER LIMIT	
12	9100000679	1	REDUCTION GEARMOTOR 260W 12V PKD	
13	1466146000	1	KEY 5X5X25 UNI6604A PKD	
17	L08812426	2	Plug Ba450/530	
20	9099718000	1	Støtte Dæk	
21	L08601624	1	Slangestuds Plast	[2]
21	9100000478	1	HOLDER RUBBER STRAIGHT 1/4 D.6 PKD	[3]
22	L08812213	2	Hjul, Påkørsel Ba450/530	
23	L08812779	2	Metalplade	
31	9100000868	1	VIBRATION DAMPING M8 60SH 2 PCS SET	
32	9099707000	1	STRAP ELASTIC REAR	
33	9099708000	1	STRAP ELASTIC FRONT	
34	9100000077	1	Sugegummi kit polyurethan 14,5" 370 mm	
34	9100000302	1	Sugegummi kit rød Gum 14,5" 370 mm	[4]
K1	9100000085	1	SQUEEGEE 438MM/17 KIT	
K2	9100000086	1	HARDWARE MOTOR AND DECK KIT	[5]

## Part Notes:

- [1] - STOCK COVERS GUARANTEE
- [2] - UNTIL SN 3510145009117
- [3] - STARTING SN 3510145009118
- [4] - OPTIONAL
- [5] - NOT SHOWN



# BRUSH DECK SYSTEM

SC351 NIL

2017.11.02

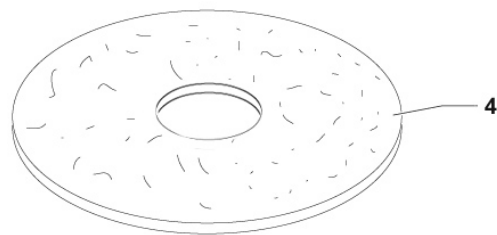
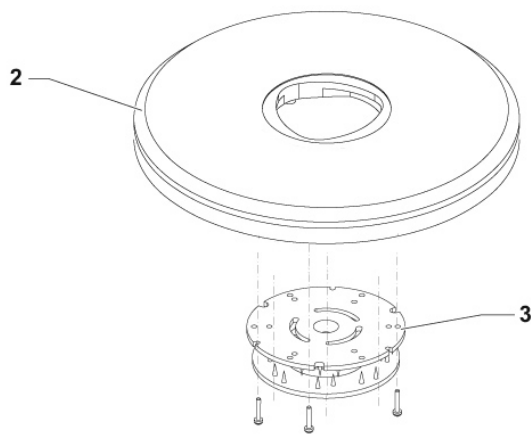
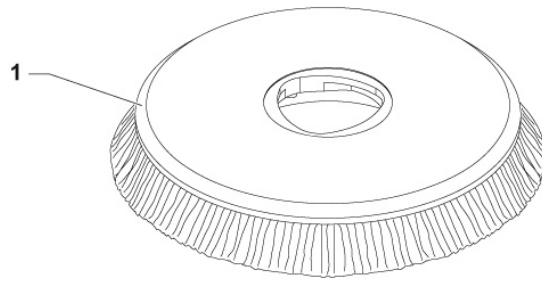
2017.01.10

Pos.	Vare-nr	Antal	Beskrivelse	Notes
1	9100000559	2	WHEEL D.51 GREY PKD	
9	9099163000	1	Castor Hjul D42	
10	9099712000	1	DECK BRUSH 350MM/14	
11	9099713000	1	FLANGE CENTRAL	
14	9100002162	1	COUNTERWEIGHT PKD	
15	9099720000	3	SPRING TRACTION	
16	9100001816	1	WHEEL BUMPER D.100 PLASTIC 2 PCS SET	
K1	9100000087	1	CLUTCH KIT	[1]
K2	9100000088	1	HARDWARE BRUSH DECK KIT	[1]

Part Notes:

[1] - NOT SHOWN

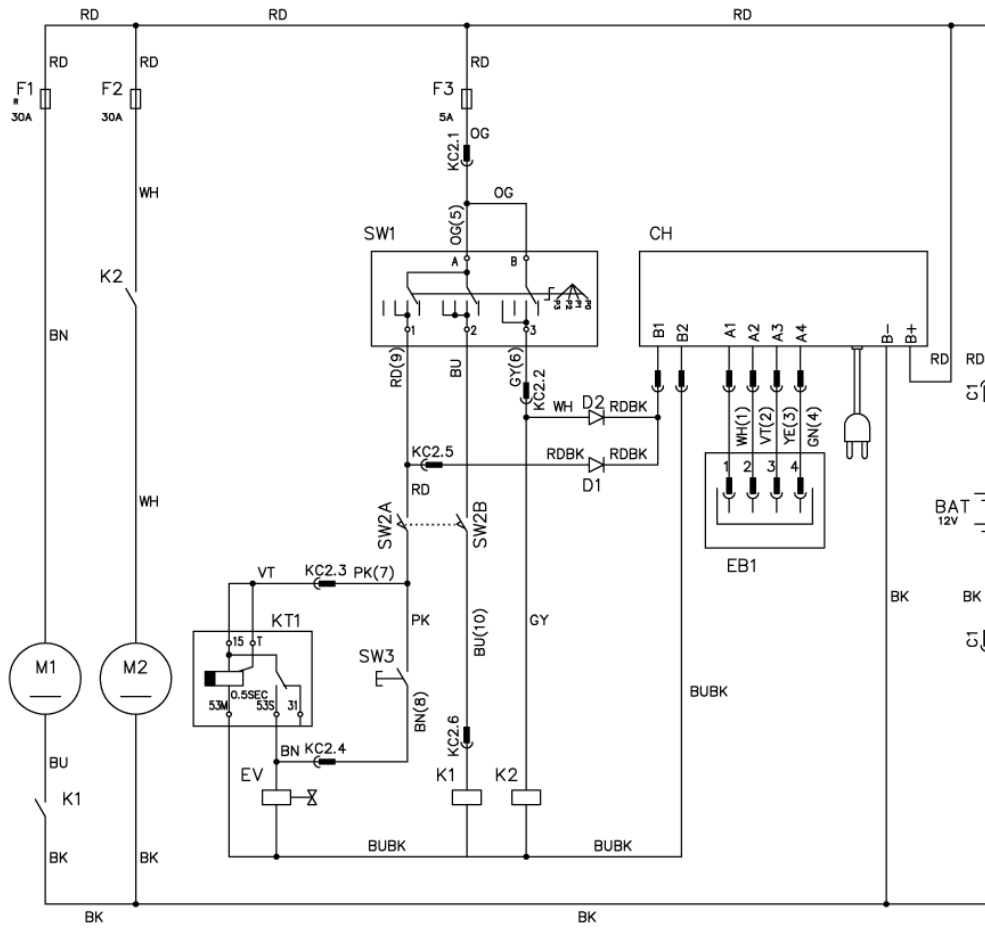




Pos.	Vare-nr	Antal	Beskrivelse	Notes
1	9099999000	1	Børste polypropylen 14,5" Ø370 mm	
1	9100000001	1	Børste Prolite 14,5" Ø370 mm	[1]
1	9100000000	1	Børste naturhår 14,5" Ø370 mm	[1]
1	9100000002	1	Børste Mid Grit 240 14,5" Ø370 mm	[1]
1	9100000003	1	Børste Magna Grit 46 14,5" Ø370 mm	[1]
2	9099672000	1	Rondelholder 14" Ø355 mm Velcro	[1]
3	56505195	1	Rondellås Lynkobling	[1]
4	10001918	1	Eco Pad brun 14" Ø355 mm (5 stk.)	[1]
4	10001920	1	Eco Pad rød 14" Ø355 mm (5 stk.)	[1]
4	10001921	1	Eco Pad hvid 14" Ø355 mm (5 stk.)	[1]
4	10001919	1	Eco Pad grøn 14" Ø355 mm (5 stk.)	[1]

## Part Notes:

[1] - OPTIONAL



Pos.	Vare-nr	Antal	Beskrivelse	Notes
BAT	9100001664		Batteri 12V 55A Optima	
CH	9100000713		Indbygget oplader 12V kit	
CH	9100002103		CHARGER BATT. O/B 12V 12A 100-230V US	
EB1	146 3073 000		BOARD LED	
EV	9098112000		Magnetventil 12V	
F1	9099802000		CIRCUIT BREAKER 35A KIT	
F2	145 8513 000		Sikring 30A	
F3	145 9852 000		Sikring 5A	
K1	146 3113 000		Relæ, 12V 70 A Tyco	
K2	9098441000		Relæ 12 Volt	
KT1	9098375000		Cyklisk timer	
M1	9100000679		REDUCTION GEARMOTOR 260W 12V PKD	
M2	9100001238		MOTOR VACUUM 12V 200W SEALED PKD	
SW1	9099332000		SWITCH ROTATIVE 4 POSITIONS	
SW2	40263A		Kontakt	
SW3	L08603153		Vanddoseringskontakt F/Ca340	



# RECOMMENDED SPARE PARTS

SC351 NIL

2017.11.02

2016.12.02

Pos.	Vare-nr	Antal	Beskrivelse	Notes
NW	910000077	1	Sugegummi kit polyurethan 14,5" 370 mm	
NW	909999900	1	Børste polypropylen 14,5" Ø370 mm	
OM	909970700	1	STRAP ELASTIC REAR	
OM	909970800	1	STRAP ELASTIC FRONT	
OM	909912700	1	Gummipakning L.705mm	
OM	9100001958	2	GASKET PKD	
OM	9100001238	1	MOTOR VACUUM 12V 200W SEALED PKD	
OM	909832700	1	Pakning til sugemotor	
OM	9100000679	1	REDUCTION GEARMOTOR 260W 12V PKD	
OM	L08812480	1	Polyg. Holder Ba450/530	[1]
OM	909970600	1	HOSE SUCTION D.25	
OM	9100000559	2	WHEEL D.51 GREY PKD	
OM	909916300	1	Castor Hjul D42	
OM	9100000087	1	CLUTCH KIT	
OM	9100000085	1	SQUEEGEE 438MM/17 KIT	
EOM	909971200	1	DECK BRUSH 350MM/14	
EOM	9100001816	1	WHEEL BUMPER D.100 PLASTIC 2 PCS SET	
EOM	909973200	2	Hjul Ø214mm grå/sort	
EOM	9100000713	1	Indbygget oplader 12V kit	
EOM	9100002103	1	CHARGER BATT. O/B 12V 12A 100-230V US	
EOM	9100000514	1	VALVE WATER COMPLETE PKD	
EOM	909899200	1	Pipes Kit	
EOM	909876000	2	CONNECTOR 50A GREY	
EOM	909980200	1	CIRCUIT BREAKER 35A KIT	
EOM	909811200	1	Magnetventil 12V	
EOM	146 3113 000	1	Relæ, 12V 70 A Tyco	
EOM	9098441000	1	Relæ 12 Volt	
EOM	9098375000	1	Cyklisk timer	
EOM	145 8513 000	1	Sikring 30A	
EOM	145 9852 000	1	Sikring 5A	
EOM	9099332000	1	SWITCH ROTATIVE 4 POSITIONS	
EOM	40263A	1	Kontakt	
EOM	L08603153	1	Vanddoseringskontakt F/Ca340	

Part Notes:

[1] - STOCK COVERS GUARANTEE



Pos.	Vare-nr	Antal	Beskrivelse	Notes
	1464853000	1	Batteri 12V 87A AGM monoblok	
	9099011000	1	Påfyldningsslange Kit	[1]
	9100000001	1	Børste Prolite 14,5" Ø370 mm	
	9100000000	1	Børste naturhår 14,5" Ø370 mm	
	9100000002	1	Børste Mid Grit 240 14,5" Ø370 mm	
	9100000003	1	Børste Magna Grit 46 14,5" Ø370 mm	
	9099672000	1	Rondelholder 14" Ø355 mm Velcro	
	10001918	1	Eco Pad brun 14" Ø355 mm (5 stk.)	
	10001920	1	Eco Pad rød 14" Ø355 mm (5 stk.)	
	10001921	1	Eco Pad hvid 14" Ø355 mm (5 stk.)	
	10001919	1	Eco Pad grøn 14" Ø355 mm (5 stk.)	
	9100000302	1	Sugegummi kit rød Gum 14,5" 370 mm	

## Part Notes:

[1] - SEE TSB-FC-2016-020



