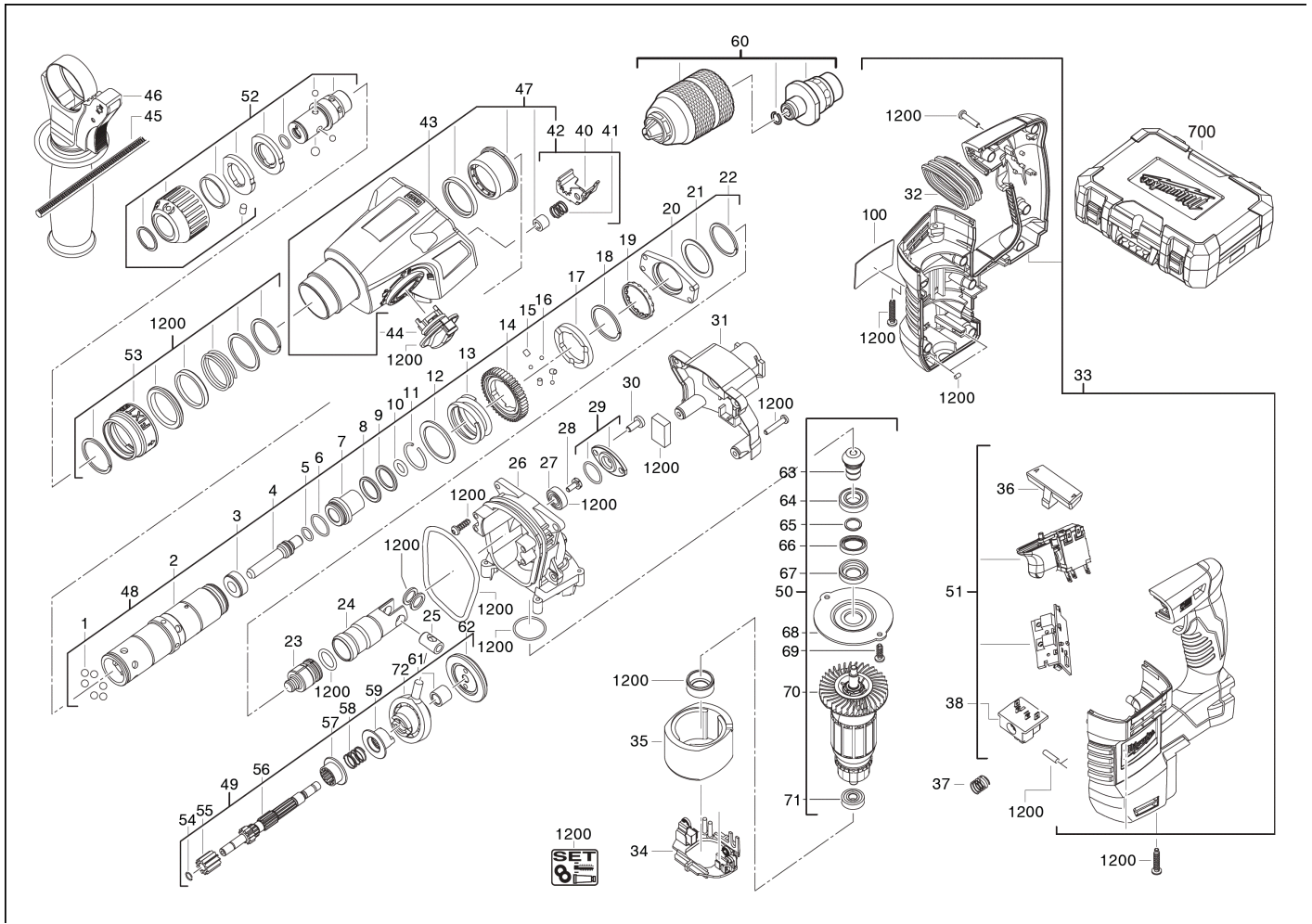


HD18HX-0C BTY. COMBI HAMMER XXX

4933431558 - HD18HX-0C - 4000447206





| Position | Quantity | Description | Part number | EAN |
|----------|----------|--------------------|-------------|---------------|
| 0001 | 6 | BALL | 681486001 | 4002395851928 |
| 0002 | 1 | SPINDLE SLEEVE | 621198001 | 4002395849086 |
| 0003 | 1 | STOP WASHER | 692724001 | 4002395851997 |
| 0004 | 1 | SNAP DIE | 692723001 | 4002395851980 |
| 0005 | 1 | O-RING | 562596001 | 4002395850662 |
| 0006 | 1 | O-RING | 562594001 | 4002395850648 |
| 0007 | 1 | SLEEVE | 692722001 | 4002395851973 |
| 0008 | 1 | O-RING | 562595001 | 4002395850655 |
| 0009 | 1 | WASHER | 633518001 | 4002395851348 |
| 0010 | 1 | O-RING | 562597001 | 4002395850679 |
| 0011 | 1 | CIRCLIP | 672632001 | 4002395851386 |
| 0012 | 1 | WASHER | 633517001 | 4002395851331 |
| 0013 | 1 | SPRING | 692735001 | 4002395852031 |
| 0014 | 1 | REDUCTION GEAR | 611291001 | 4002395850693 |
| 0015 | 3 | PIN | 681235001 | 4002395851904 |
| 0016 | 3 | BALL | 611405001 | 4002395851201 |
| 0017 | 1 | CLUTCH | 4931435089 | 4002395857678 |
| 0018 | 1 | CIRCLIP | 672634002 | 4002395851393 |
| 0019 | 1 | BEARING | 681480001 | 4002395851911 |
| 0020 | 1 | BEARING | 692838001 | 4002395849093 |
| 0021 | 1 | WASHER | 633516001 | 4002395851324 |
| 0022 | 1 | CIRCLIP | 633529001 | 4002395851355 |
| 0023 | 1 | PERCUSSION BODY | 692698001 | 4002395849635 |
| 0024 | 1 | CYLINDER | 692717001 | 4002395851959 |
| 0025 | 1 | CYLINDER PIN | 692718001 | 4002395851966 |
| 0026 | 1 | BRACKET | 641710001 | 4002395849628 |
| 0027 | 1 | BALL BEARING | 681383001 | 4002395802050 |
| 0028 | 1 | SCREW | 661504001 | 4002395851379 |
| 0029 | 1 | BEARING END PLATE | 201879001 | 4002395848997 |
| 0030 | 1 | LOCKING SCREW | 661286001 | 4002395851362 |
| 0031 | 1 | GEAR BOX COVER | 591125001 | 4002395849079 |
| 0032 | 1 | RUBBER SLEEVE | 562680001 | 4002395849055 |
| 0033 | 1 | MOTOR HOUSING | 4931447513 | 4002395880515 |
| 0034 | 1 | CARBON BRUSH SET | 290627001 | 4002395850600 |
| 0035 | 1 | FIELD LEAD GROMMET | 4931454082 | 4002395287574 |
| 0036 | 1 | LEVER | 591123001 | 4002395849062 |
| 0037 | 1 | SPRING | 4931408243 | 4002395814466 |
| 0038 | 1 | INSERT | 4931416290 | 4002395801213 |
| 0040 | 1 | RETAINING PLATE | 4931448985 | 4002395256174 |
| 0041 | 1 | SPRING | 692732001 | 4002395852017 |
| 0042 | 1 | PLATE | 201877001 | 4002395848973 |
| 0043 | 1 | GEAR BOX | 340124001 | 4002395849048 |
| 0044 | 1 | SWITCH | 4931448984 | 4002395256167 |
| 0045 | 1 | DEPTH GAUGE | 620448002 | 4002395851218 |
| 0046 | 1 | AUXILIARY HANDLE | 304389001 | 4002395850624 |
| 0047 | 1 | GEAR BOX | 201756001 | 4002395848928 |
| 0048 | 1 | SPINDLE | 201758001 | 4002395848935 |
| 0049 | 1 | GEAR SHAFT | 4931446523 | 4002395876969 |
| 0050 | 1 | MOTOR ASSEMBLY | 4931446524 | 4002395876952 |
| 0051 | 1 | SWITCH ASSEMBLY | 4931447514 | 4002395880522 |

| Position | Quantité | Désignation | Référence | EAN |
|----------|----------|---------------------|------------|---------------|
| 0052 | 1 | ADAPTER | 201876001 | 4002395850594 |
| 0053 | 1 | SLEEVE | 522186001 | 4002395850631 |
| 0054 | 1 | WASHER | 633525001 | 4002395854141 |
| 0055 | 1 | GEAR | 4931453917 | 4002395279555 |
| 0056 | 1 | REDUCTION GEAR | 4931446527 | 4002395876945 |
| 0057 | 1 | INTERN.GEARED WHEEL | 611288001 | 4002395854110 |
| 0058 | 1 | SPRING | 692733001 | 4002395856909 |
| 0059 | 1 | COUPLING SLEEVE | 611289001 | 4002395856312 |
| 0060 | 1 | CLUTCH CHUCK ASS. | 201895001 | 4002395849666 |
| 0061 | 1 | DISTANCE HOLDER | 4931446532 | 4002395876938 |
| 0062 | 1 | BEVEL GEAR | 4931446533 | 4002395876921 |
| 0063 | 1 | PINION | 4931446534 | 4002395876914 |
| 0064 | 1 | BALL BEARING | 4931446535 | 4002395876907 |
| 0065 | 1 | O-RING | 4931446536 | 4002395876297 |
| 0066 | 1 | SEAL | 4931446537 | 4002395876280 |
| 0067 | 1 | SLEEVE | 4931446538 | 4002395876273 |
| 0068 | 1 | BEARING END PLATE | 4931446539 | 4002395876266 |
| 0069 | 1 | SCREW | 4931446540 | 4002395876259 |
| 0070 | 1 | ARMATURE | 4931446541 | 4002395876242 |
| 0071 | 1 | BALL BEARING | 681383001 | 4002395802050 |
| 0072 | 1 | BALL BEARING | 681236001 | 4002395856381 |
| 0073 | 2 | SCREW | 4931447515 | 4002395880539 |
| 0100 | 1 | RATING PLATE | 4931447231 | 4002395880461 |
| 0700 | 1 | CARRYING CASE | 304112002 | 4002395849031 |
| 1200 | 1 | MAINTENANCE SET | 4931433267 | 4002395896202 |