

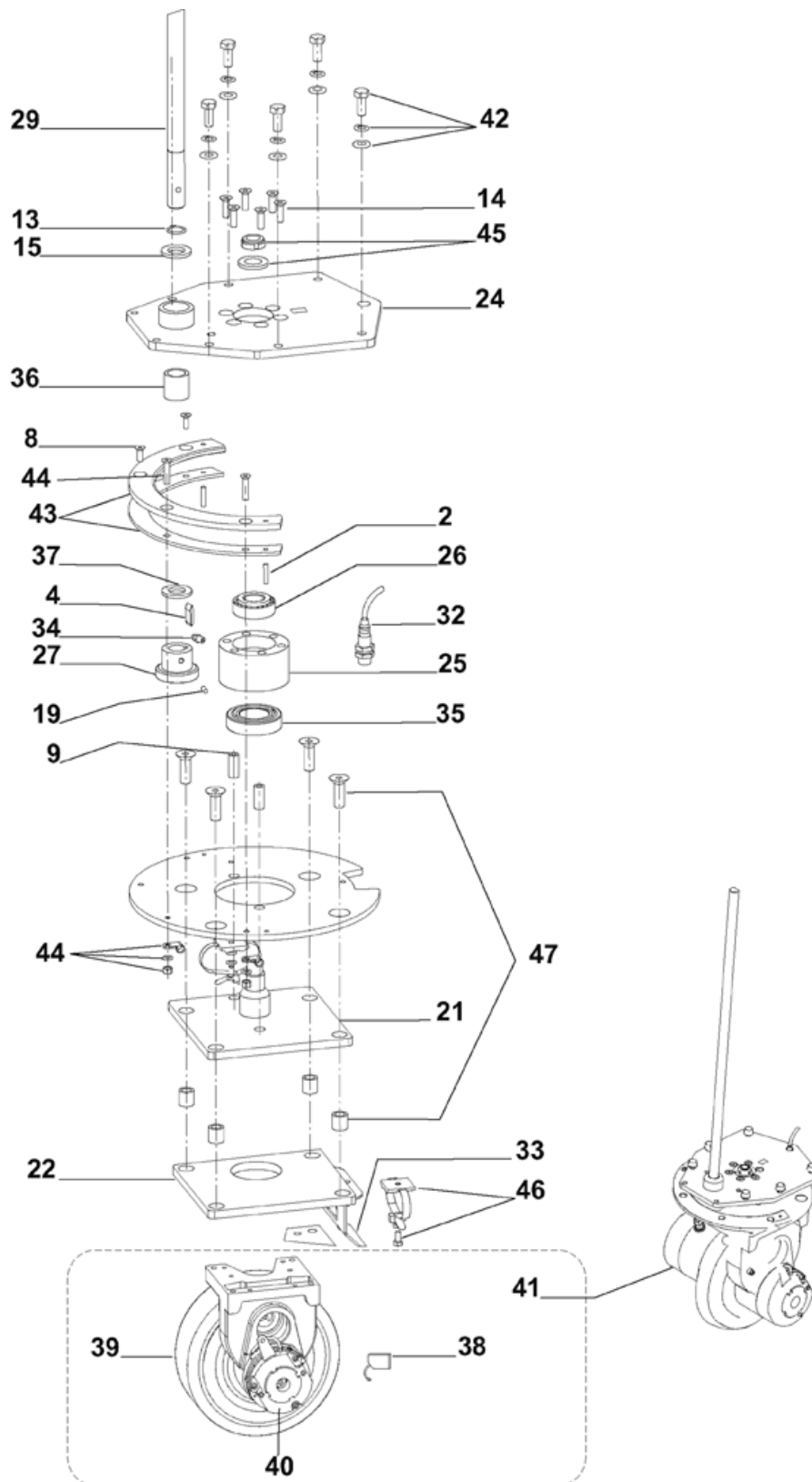
PARTS LIST



2017.09.22

TABLE OF CONTENTS

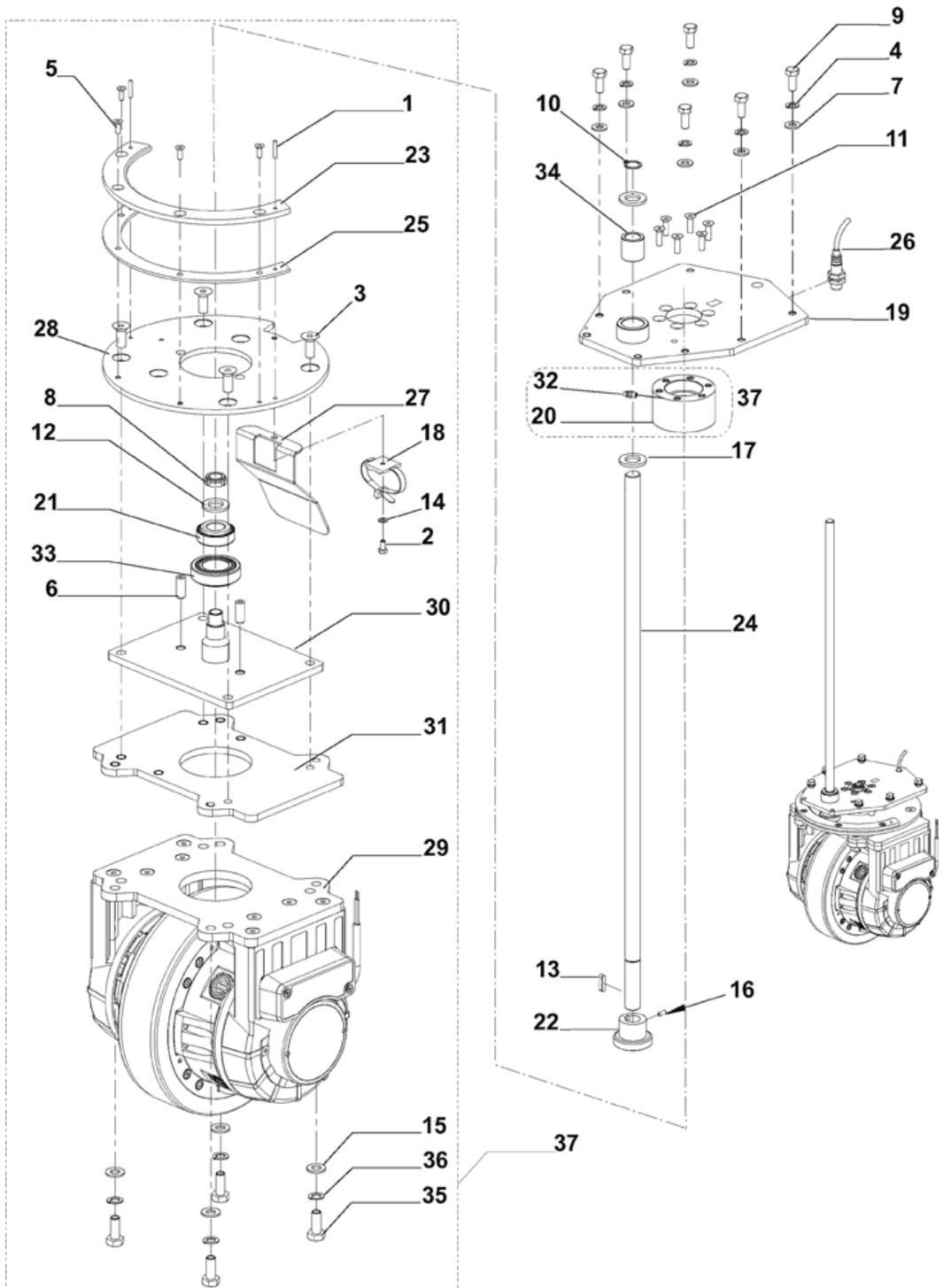
Front wheel assembly - before january 2007	1
Front wheel assembly - after january 2007	3
Motor drive wheel after January 2007	5
Steering system	7
Control panel assemblies	9
Pedal assembly - for machines before S/N 061909560	11
Pedal assembly - for machines from S/N 061909561	13
Footboard assembly	15
ECO dosage system	17
Solution system with / without EDS	19
General view	21
Squeegee systems BR 601/651/751/751C/EDS	23
Brush deck systems BR 601/651/751/EDS before 074129221	25
Brush deck systems BR 601/651/751/EDS from 074129221	27
Cyl. brush deck system BR 751C/EDS	29
Seat assembly	31
Brush deck lifting system	33
Electrical components	35
Accessories: brush deck kits - brushes - squeegee kits - blades	37
Tanks assembly	39
Accessories: flashing beacon kit - water feed hose	41
Recovery tank before serial number 080200537	43
Recovery tank starting from serial number 080200537	45
Chassis system	47



Pos.	Vare-nr	Antal	Beskrivelse	Notes
00	9097053000	1	Harness Drive Wheel	
02	L08600669	2	SPRING PIN 4X20 ISO8752	
04	1466147000	1	KEY 5X5X20 UNI6604A PKD	
08	33004562	2	SCREW M5X14 C/SUNK FLAT HD HEX ISO10642	
09	145 5919 000	2	SCREW GRUB M10X25 CUP POINT ISO4029	
13	9100001345	1	RING D 17 UNI7435 10 PCS SET	
14	33004578	6	Screw Tpsei 6X20	
19	9100001350	1	SCREW GRUB M5X10 UNI5929 10 PCS SET	
21	909 5937 000	1	Support Steering	[1]
22	909 5938 000	1	VIBRATION-DAMPING	
24	909 5940 000	1	PLATE STEERING SUPPORT	[1]
25	9100001734	1	SUPPORT BALL BEARING PHOS. SIP	
26	1467639000	1	BEARING TAPER ROLLER 32004X SIP	
27	909 5943 000	1	Pinion Steering	
29	909 5945 000	1	SHAFT STEERING	[1]
30	9096930000	1	SUPPORT GEARS	
32	909 6317 000	1	Sensor Kit	
33	909 6221 000	1	BRACKET WIRE PROTECTION	
34	145 2330 000	1	FITTING LUBE M6X1 STRAIGHT	
35	1467636000	1	BEARING TAPER ROLLER 32006 SIP	
36	145 9505 000	1	Bussning	
37	146 2873 000	1	WASHER PLAIN M16X30 NYLON ISO7089	[1]
38	909 6324 000	1	Kul Kit,4 Stk. Br601/751	
39	909 6323 000	1	Gummi,Hjul	[1]
40	909 6326 000	1	Electrobrake	
41	909 6325 000	1	Motor Electric 600W 24V	[1]
42	909 6370 000	1	HARDWARE.PLATE FIXING KIT	
43	909 6371 000	1	GEAR SPUR KIT	
44	909 6372 000	1	CLAMP CABLE FIXING KIT	
45	909 6373 000	1	NUT RING KIT	[2]
46	909 6374 000	1	CLAMP CABLE FIXING KIT	
47	909 6375 000	1	HARDWARE.WHEEL FIXING KIT	

Part Notes:

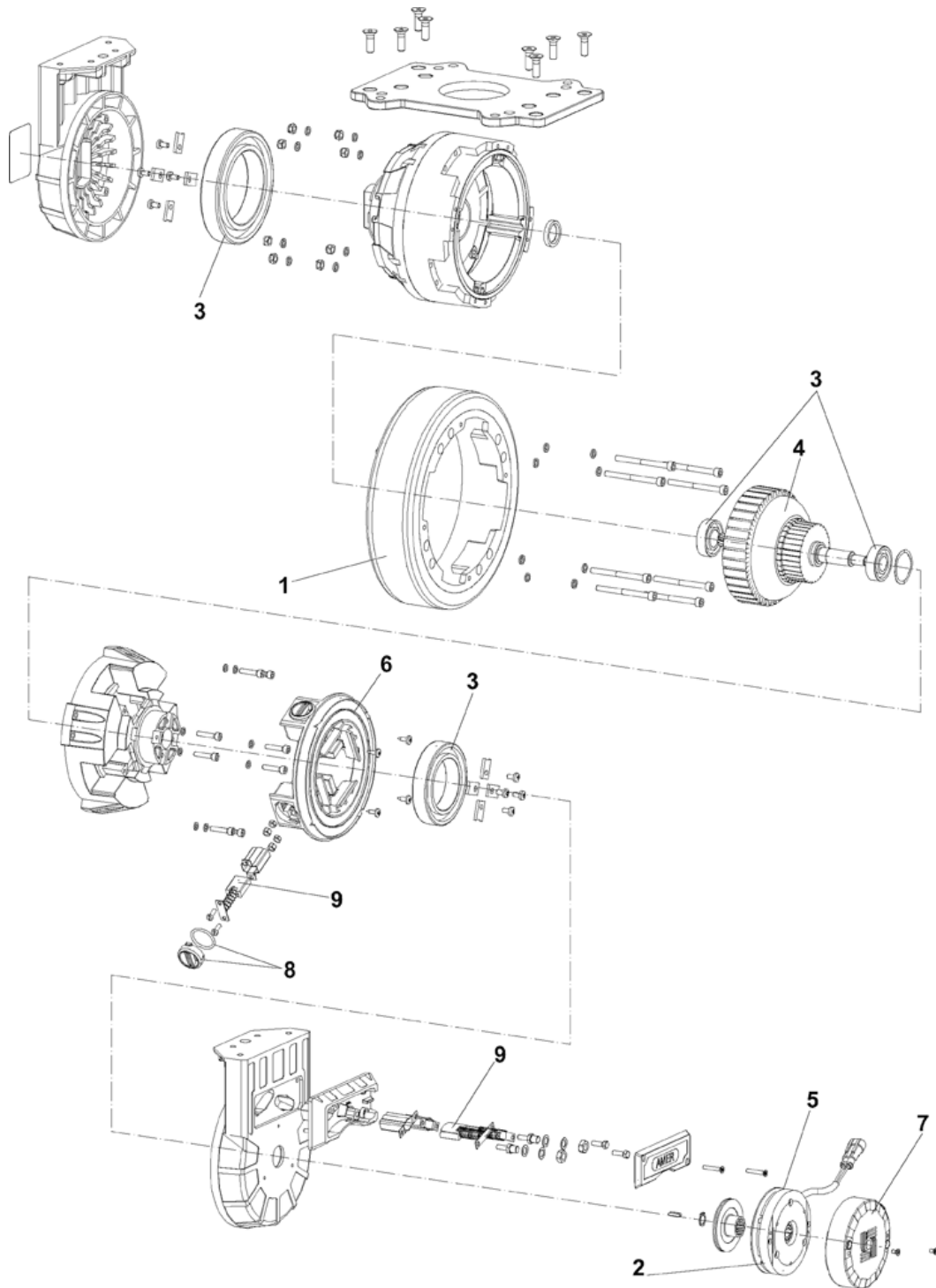
- [1] - STOCK COVERS GUARANTEE
 [2] - GUARANTEE DATE EXPIRED



Pos.	Vare-nr	Antal	Beskrivelse	Notes
00	9096927000	1	Harness Drive Wheel	
01	L08600669	2	SPRING PIN 4X20 ISO8752	
02	L08603041	1	Skrue M5X10 F/Ca340 F/Sugemundstk.	
03	33004605	4	SCREW M10X25 C/SUNK FLAT HD HEX ISO10642	
04	33023223	6	WASHER SPRING LOCK M8 DIN127B 10 PCS SET	
05	33004562	4	SCREW M5X14 C/SUNK FLAT HD HEX ISO10642	
06	145 5919 000	2	SCREW GRUB M10X25 CUP POINT ISO4029	
07	33023208	6	WASHER M8 UNI6592 10 PCS SET	
08	9100001349	1	NUT RING M15X1 KMA2 LIGHT SER.10 PCS SET	
09	33005444	6	SCREW M8X20 HEX HD F/THD ISO4017	
10	9100001345	1	RING D 17 UNI7435 10 PCS SET	
11	33004578	6	Screw Tpsei 6X20	
12	33005919	2	Plain Washer 16	
13	1466147000	1	KEY 5X5X20 UNI6604A PKD	
14	33023195	1	WASHER PLAIN M5 ISO7089 10 PCS SET	
15	145 9966 000	4	WASHER PLAIN M10X20 SS ISO7089	
16	9100001350	1	SCREW GRUB M5X10 UNI5929 10 PCS SET	
17	146 2873 000	1	WASHER PLAIN M16X30 NYLON ISO7089	[1]
18	909 5606 000	1	CLAMP	
19	909 5940 000	1	PLATE STEERING SUPPORT	[1]
20	9100001734	1	SUPPORT BALL BEARING PHOS. SIP	
21	1467639000	1	BEARING TAPER ROLLER 32004X SIP	
22	909 5943 000	1	Pinion Steering	
23	909 5944 000	1	GEAR SPUR	
24	909 5945 000	1	SHAFT STEERING	[1]
25	909 5947 000	1	SPACER GALV. FOR GEAR SPUR	
26	909 6121 000	1	Sensor	
27	909 6221 000	1	BRACKET WIRE PROTECTION	
28	9096930000	1	SUPPORT GEARS	
29	9096931000	1	Motor Wheel W600 24V With Brake	
30	9096933000	1	SUPPORT	
31	9096934000	1	PLATE UPPER DRIVE WHEEL	
32	145 2330 000	1	FITTING LUBE M6X1 STRAIGHT	
33	1467636000	1	BEARING TAPER ROLLER 32006 SIP	
34	145 9505 000	1	Bussning	
35	9097462000	4	SCREW M10X25 HEX HD F/THD SS ISO4017	
36	33005843	4	WASHER M10 UNI1751B	
37	9096928000	1	Wheel Drive Kit	[2]

Part Notes:

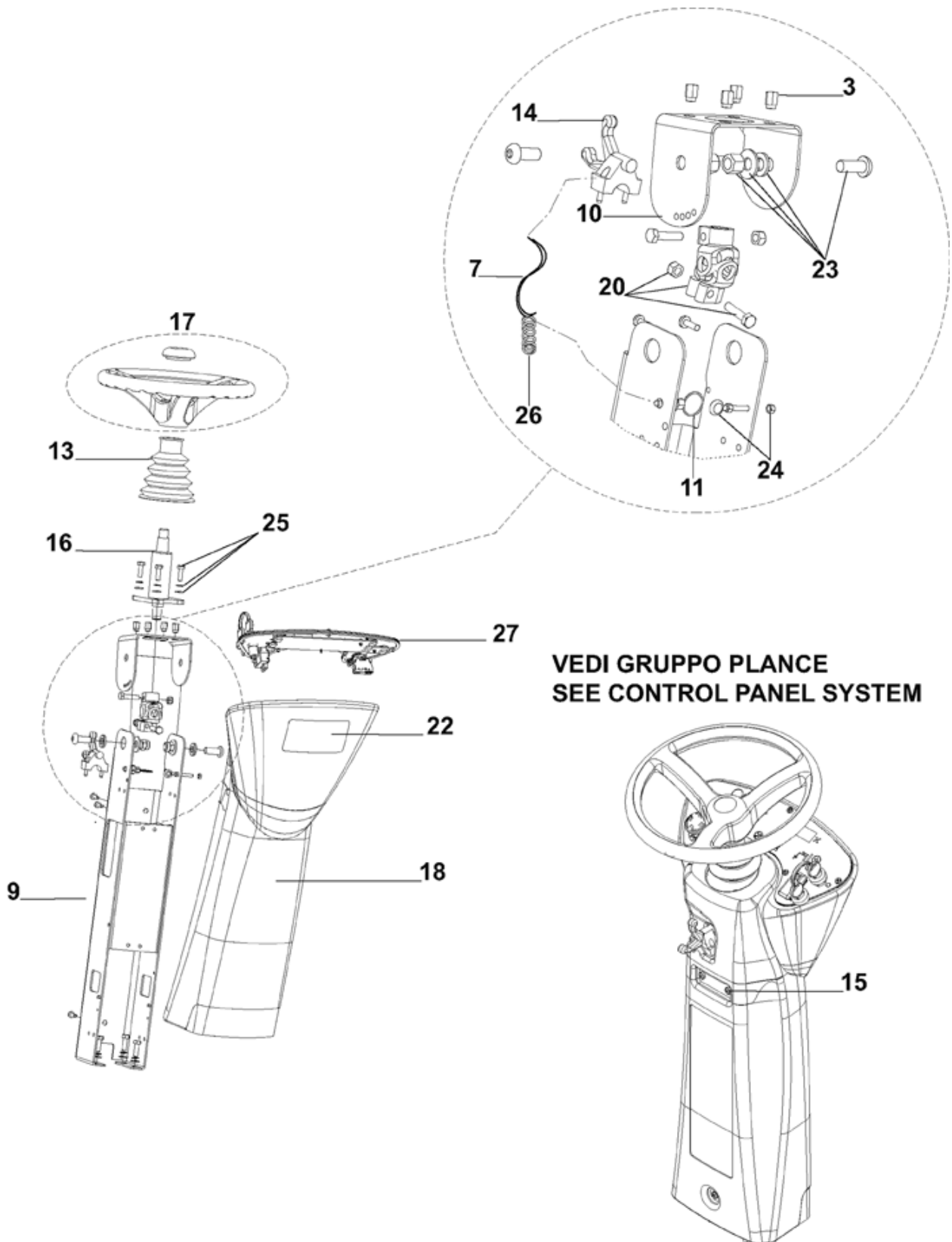
- [1] - STOCK COVERS GUARANTEE
[2] - TSB IT 2007-023



Pos.	Vare-nr	Antal	Beskrivelse	Notes
01	9096935000	1	Hjul D.250 75-80Sh Br 751	[1]
02	9096966000	1	BRAKE ELECTRIC.RELEASED	[1]
03	9096959000	1	BEARING BALL KIT	
04	9096967000	1	ARMATURE	[1]
05	9096976000	1	Shoe Brake	
06	9096968000	1	RING CARBON BRUSHES HOLDER	
07	9096970000	1	COVER BRAKE	[1]
08	9096969000	1	CAP WITH GASKET	
09	9096960000	1	Brush Carbon Kit	

Part Notes:

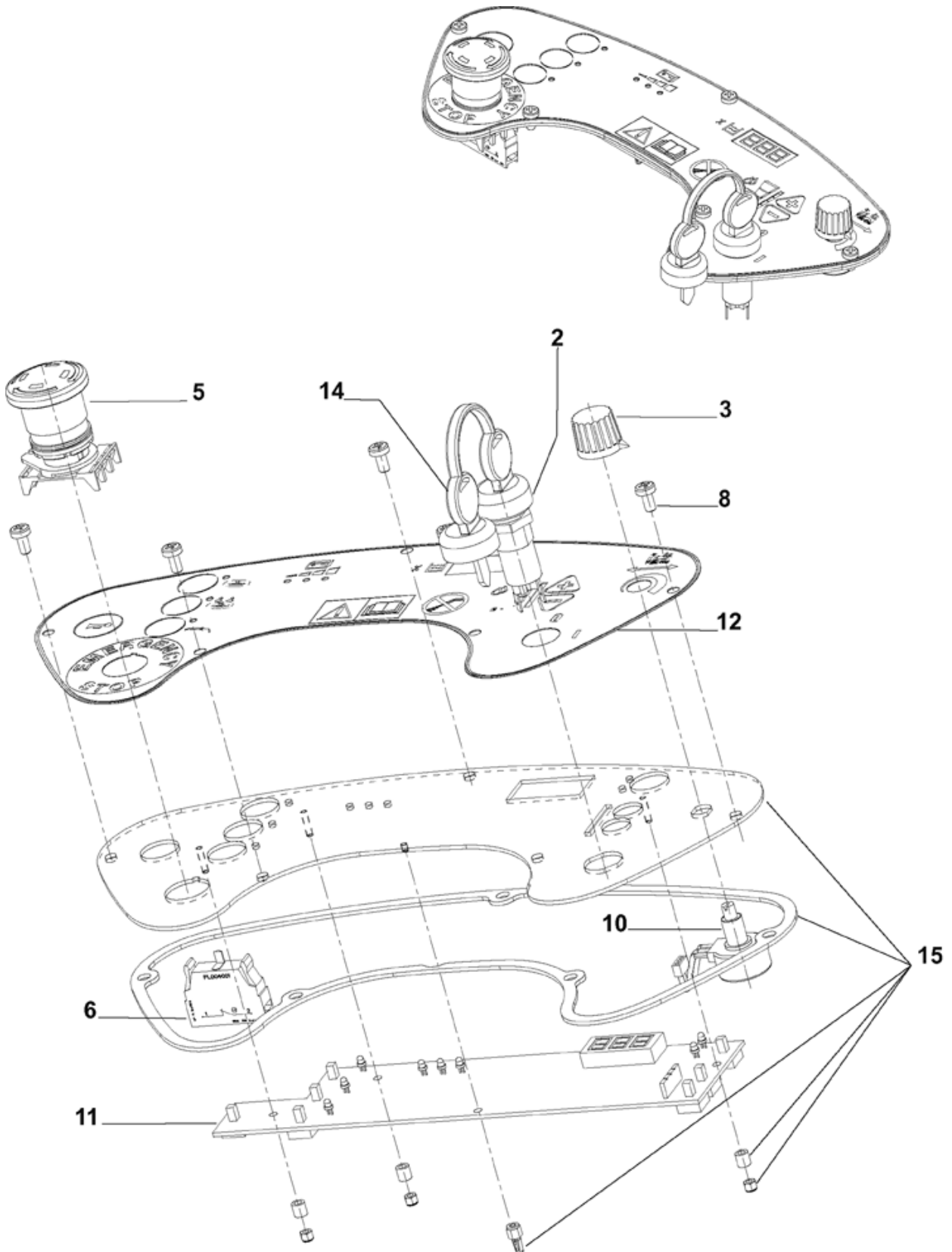
[1] - STOCK COVERS GUARANTEE



Pos.	Vare-nr	Antal	Beskrivelse	Notes
03	145 4773 000	4	INSERT M8	
07	909 6074 000	1	Cable	[1]
09	1465515000	1	COLUMN STEERING KIT	
10	1465516000	1	SUPPORT STEERING COLUMN KIT	
11	1466331000	1	PLUNGER M10 D.6 W/NUT PKD	
13	146 2457 000	1	BELLOW RUBBER	
14	146 2458 000	1	Lever	
15	909 5011 000	3	SCREW M6X20 UNI7687 SS	
16	909 6071 000	1	STEERING COLUMN	[1]
17	9100002197	1	WHEEL STEERING D.320 KIT	
18	909 6073 000	1	COVER ROTOMOLDED FRONT	[1]
20	1466319000	1	JOINT UNIVERSAL D.17 SIP	
22	9097767000	1	DECALS BR 601/651/751 KIT	
23	909 6398 000	1	HARDWARE STEERING FIXING KIT	
24	909 6399 000	1	TIE-ROD EYE D.8 M5 KIT	
25	909 6400 000	1	HARDWARE FIXING KIT	
26	145 9290 000	1	Fjäder	
27		1	Control panel assembly	[2]

Part Notes:

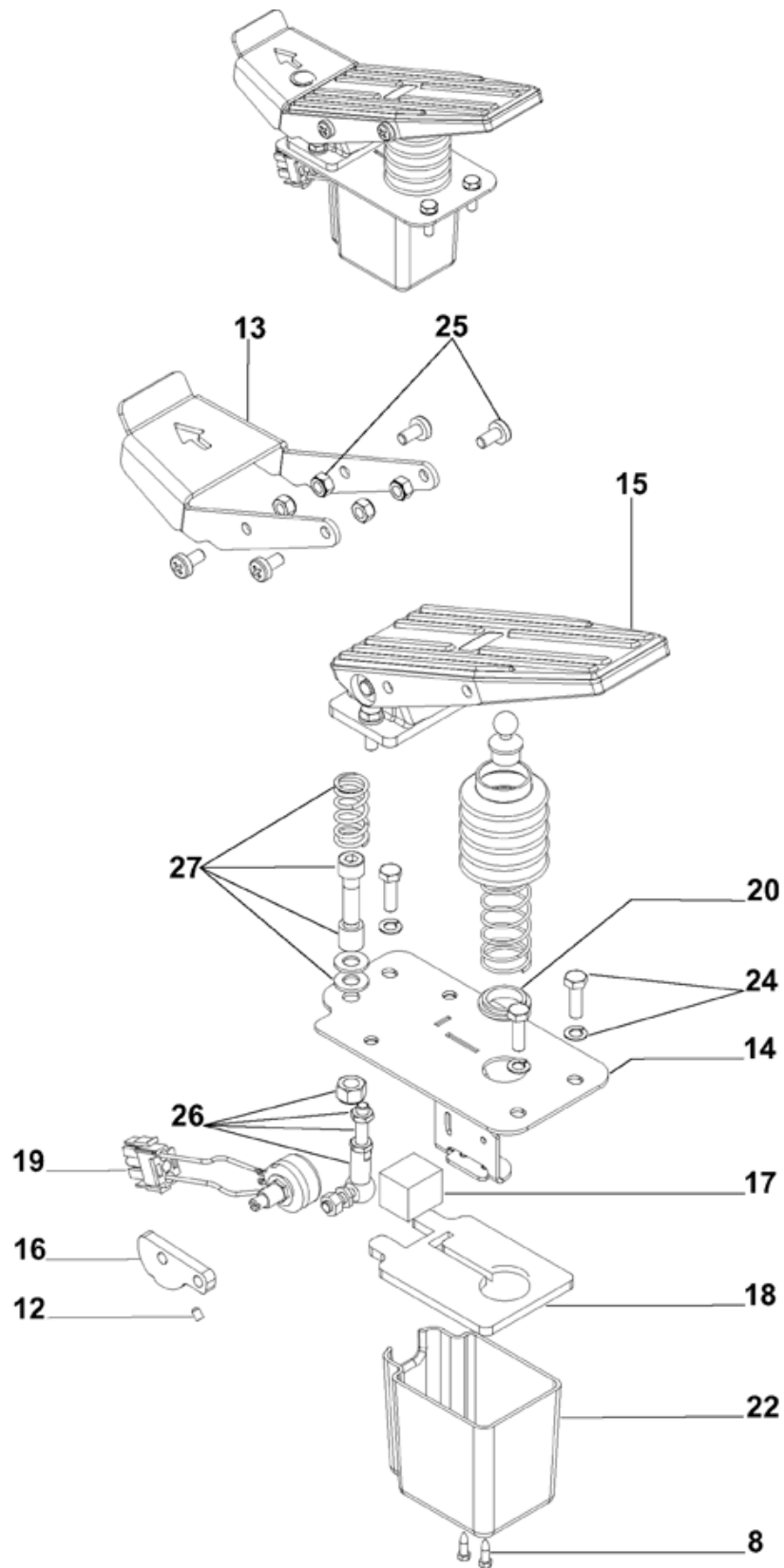
- [1] - STOCK COVERS GUARANTEE
- [2] - CONTROL PANEL ASSEMBLYControl panel assemblies



Pos.	Vare-nr	Antal	Beskrivelse	Notes
02	9100001354	1	SWITCH KEY WITH CAP PKD	
03	145 4719 000	1	Knop For Potentiometer	
05	1466683000	1	SWITCH EMERGENCY KIT	
06	146 1728 000	1	Kontakt	
08	146 1710 000	5	SCREW M5X10 PAN HD PHIL ISO7045	
10	909 6076 000	1	Potentiometer	
11	909 6077 000	1	Elektronik Kort	[1]
11	909 6573 000	1	Elektronik Kort Eds Model	[2]
12	909 6078 000	1	Mærkat Kontrolpanel Br601 U/Eco-Flex	[1]
12	909 6184 000	1	DECAL CONTROL PANEL ECOFLEX	[2]
14	146 2887 000	1	Nøgle (2 Pcs) Ba510Sd	
15	909 6647 000	1	Kontrol Panel Kit	

Part Notes:

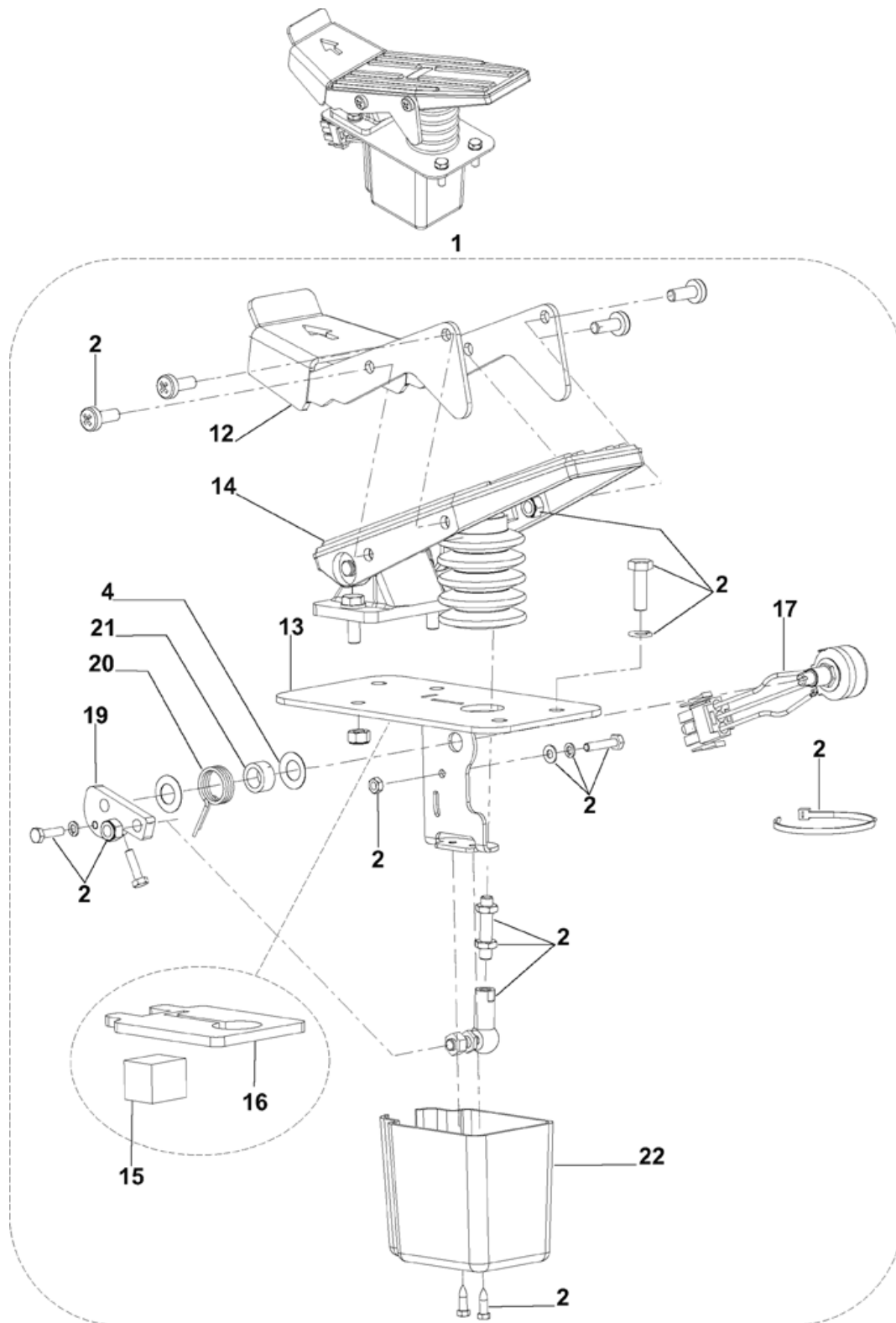
- [1] - STOCK COVERS GUARANTEE
[2] - for EDS version
STOCK COVERS GUARANTEE



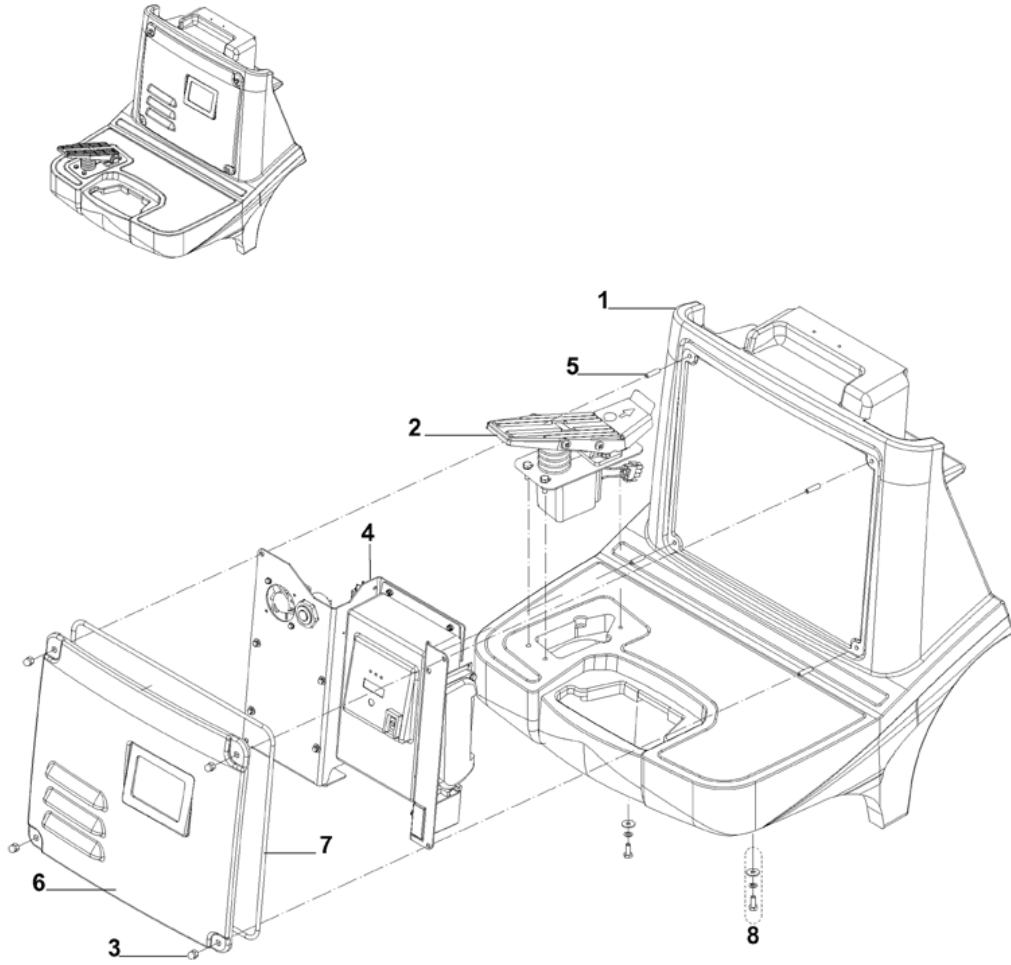
Pos.	Vare-nr	Antal	Beskrivelse	Notes
08	145 5867 000	2	SCREW 3.9X13 SELF HEX HD FLANG DIN6928	
12	146 0621 000	1	Z-Skrue	
13	146 1938 000	1	BRACKET.SPEED CONTR.PEDAL	
14	146 1939 000	1	SUPPORT.SPEED CONTR.PEDAL	[1]
15	146 1940 000	1	Pedal.Speeder Sr1300 Hb	
16	146 1941 000	1	LEVER POTENTIOMETER	[1]
17	146 2062 000	1	GASKET ADHESIVE 20X20 L. 24MM	
18	146 2315 000	1	GASKET. PEDAL	
19	146 2480 000	1	Harness Drive Pedal	
20	145 2589 000	1	WASHER F SPRING CENTRING	
22	145 4086 000	1	COVER PEDAL RUBBER	
24	909 6376 000	1	HARDWARE. FIXING KIT	
25	909 6377 000	1	HARDWARE. FIXING KIT	
26	909 6378 000	1	HARDWARE. FIXING KIT	
27	909 6379 000	1	Hardware. Pedal Kit	

Part Notes:

[1] - STOCK COVERS GUARANTEE



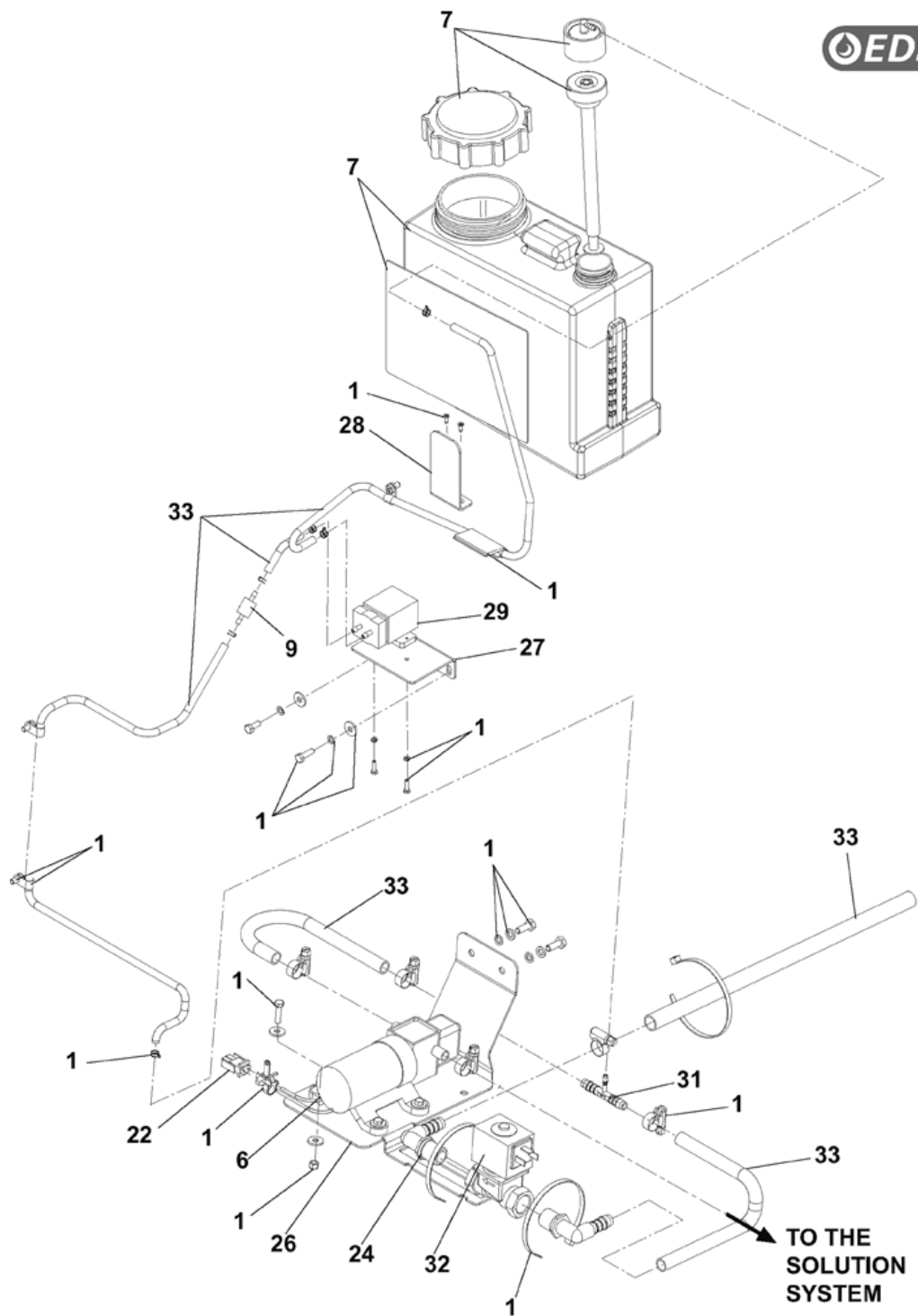
Pos.	Vare-nr	Antal	Beskrivelse	Notes
01	146 2952 000	1	Gaspedal, Kontrol Kit Br 651-751 Sr 1000	
02	909 6834 000	1	HARDWARE.PEDAL FIXING KIT	
04	145 1147 000	2	WASHER 10.2X18.8X0.35 10.2x18.8X0.35	
12	146 2929 000	1	BRACKET.SPEED CONTR.PEDAL	
13	146 2930 000	1	SUPPORT.SPEED CONTR.PEDAL	
14	146 2910 000	1	Speeder Pedal	
15	146 2062 000	1	GASKET ADHESIVE 20X20 L. 24MM	
16	146 2315 000	1	GASKET. PEDAL	
17	146 2480 000	1	Harness Drive Pedal	
19	146 2882 000	1	LEVER POTENTIOMETER	
20	1467038000	1	PEDAL SPRING PKD	
21	146 2884 000	1	SPACER 10.3X15X7.5	
22	145 4086 000	1	COVER PEDAL RUBBER	



Pos.	Vare-nr	Antal	Beskrivelse	Notes
01	909 5899 000	1	FOOTBOARD	
02		1	Pedal assembly	[1]
03	145 4618 000	4	NUT HEX M6 DOMED CAP HIGH SS DIN1587	
04		1	Electrical components	[2]
05	146 0759 000	4	SCREW GRUB M6X25 CUP POINT ISO4029	[3]
06	909 6122 000	1	COVER. ELECTRONIC CARD	[3]
07	909 6838 000	1	GASKET.ELECTR.BOARD COVER	[3]
08	909 6369 000	1	HARDWARE.FIXING KIT	

Part Notes:

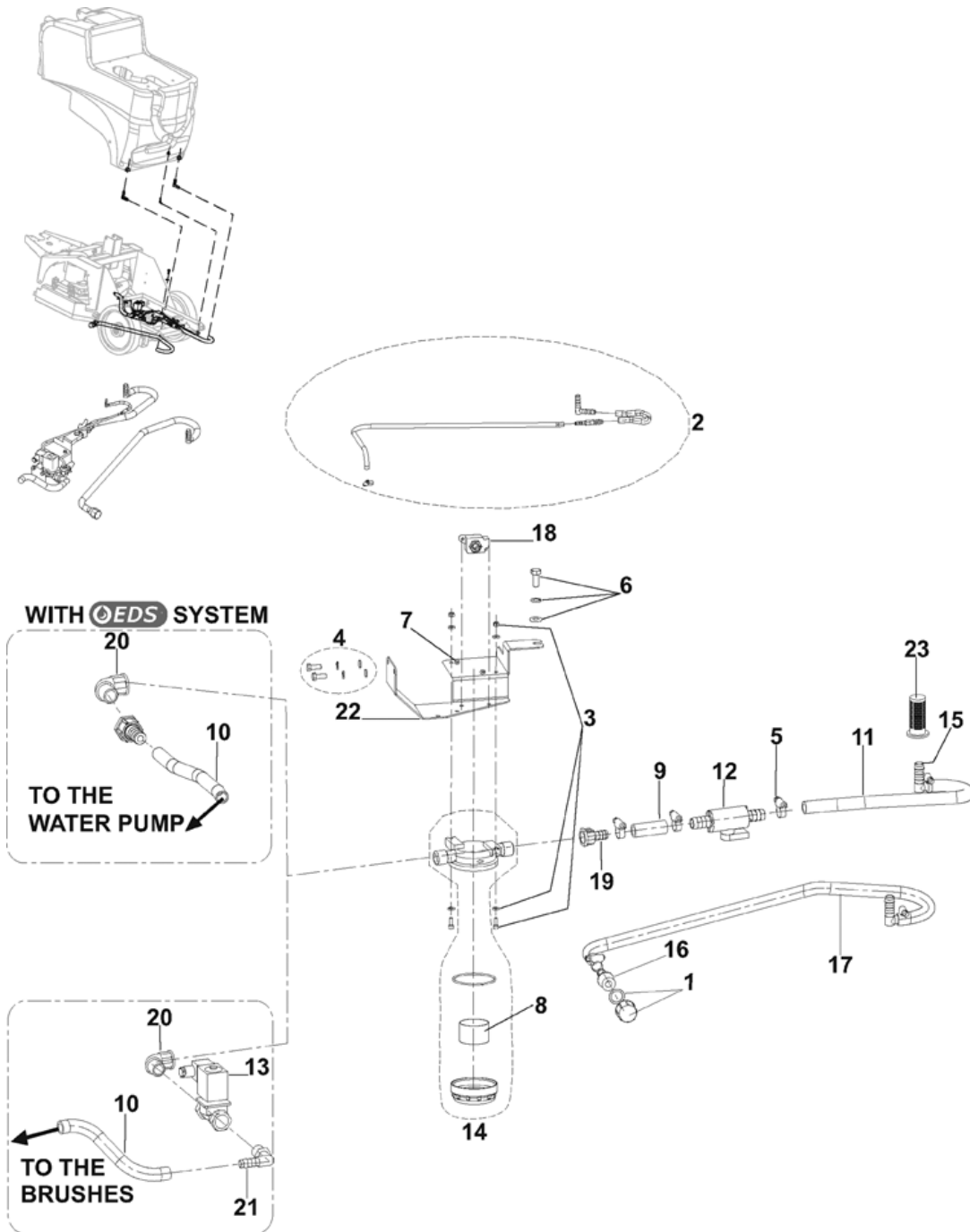
- [1] - PEDAL ASSEMBLYPedal assembly - for machines from S/N 061909561and Pedal assembly - for machines before S/N 061909560
- [2] - ELECTRICAL COMPONENTSElectrical components
- [3] - STOCK COVERS GUARANTEE



Pos.	Vare-nr	Antal	Beskrivelse	Notes
00	909 6835 000	1	Hoses Chemical Mix Kit	
1	909 6836 000	1	Hardware Chemical mix Kit	
6	56315108	1	Pumpe 24V	
7	909 6903 000	1	Ecoflex Kemibeholder Kit	
9	56315522	1	Check Valve 1/8 Barb 12 5Psi	
22	146 2796 000	1	CONNECTOR	
24	909 6087 000	2	Vinkel	
26	909 6180 000	1	BRACKET WATER PUMP SUPP.	
27	909 6181 000	1	BRACKET CHEMICAL MIX PUMPSUPPORT	
28	909 6182 000	1	BRACKET CHEMICAL MIX BOX SUPPORT	
29	9100001819	1	PUMP CHEMICAL MIX KIT	
31	909 6536 000	1	Elbow T Reducing 8-4-8	[1]
32	909 6576 000	1	Magnetventil 24V Til Systemer Med Eds	
39	146 0987 000	1	TIE CABLE ARROWHEAD	

Part Notes:

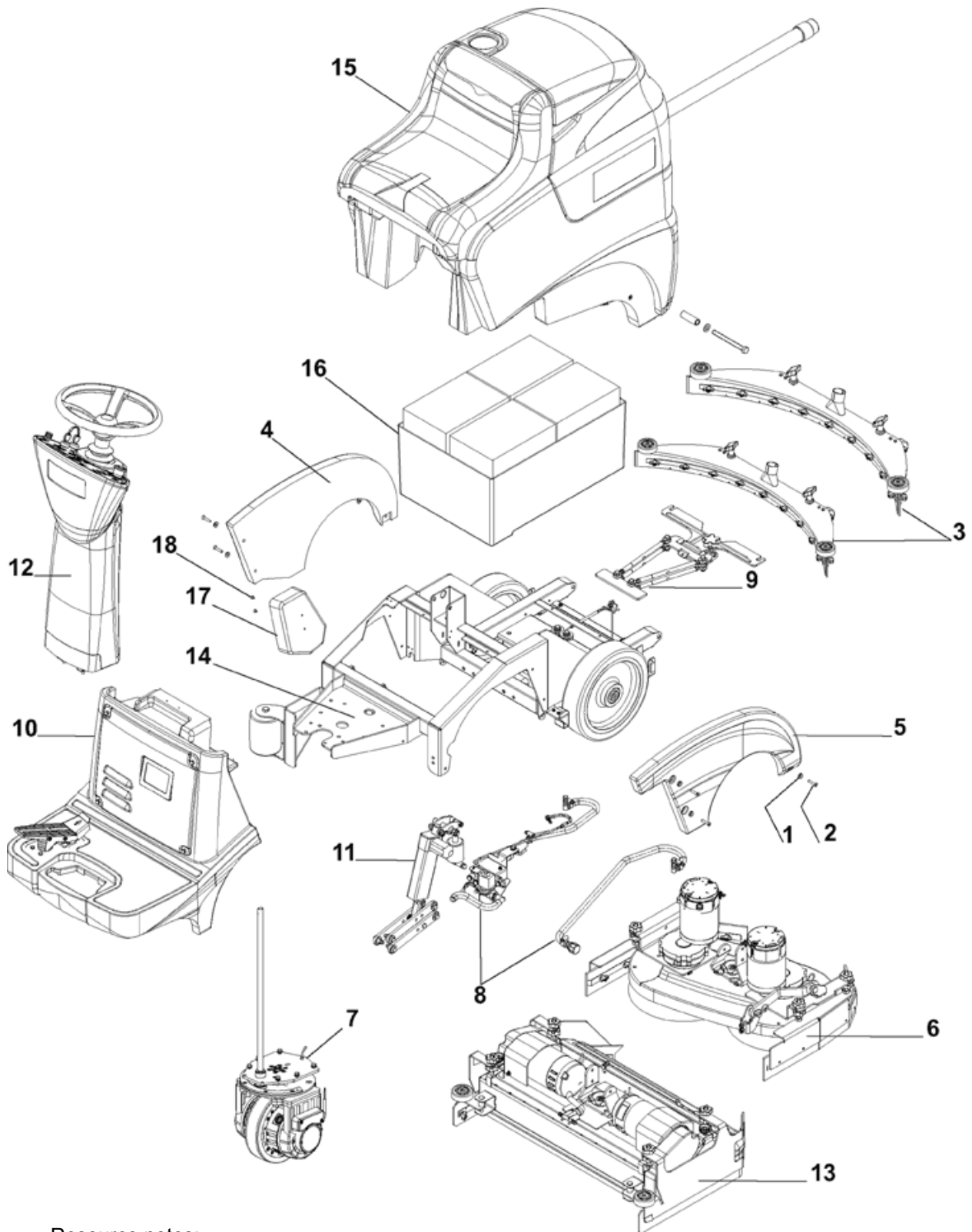
[1] - STOCK COVERS GUARANTEE



Pos.	Vare-nr	Antal	Beskrivelse	Notes
00	9097544000	1	Sensor Tryk	[1]
01	909 6389 000	1	Dæksel Br601-751	
02	909 6390 000	1	Slange-Sæt	[1]
03	909 6391 000	1	HARDWARE.FILTER FIX KIT	
04	909 6392 000	1	HARDWARE. FIXING KIT	
05	33023614	3	CLAMP 09/12-22 2 PCS SET	
06	909 6393 000	1	HARDWARE. FIXING KIT	
07	33008055	2	SCREW 3.5X22 SELF PAN PHIL ISO7049	[2]
08	9100000861	1	NET WATER FILTER REINFORCED PKD	
09	909 6348 000	1	HOSE POLYESTER REINF. D.13X19 L. 50 MM	
10	909 6347 000	1	Hose K 260 Mm	
11	909 6346 000	1	Hose K 420 Mm	
12	9096954000	1	Ventil, Rentvand Br 601	
13	909 6576 000	1	Magnetventil 24V Til Systemer Med Eds	
13	909 5205 000	1	Magnetventil,24V	[2]
14	909 5207 000	1	Filter, Ba600/750S	
15	909 6080 000	2	Elbow 90. D.13 Nylon	[2]
16	909 6081 000	1	Gevindstykke Til Aftapsl	
17	909 6328 000	1	Slange Rentvand Br 601/651/751	
18	9097544000	1	Sensor Tryk	
19	909 6085 000	1	Overgangsstykke	
20	9100000894	1	ELBOW CURVED M/F PKD	
21	909 6087 000	1	Vinkel	
22	909 6088 000	1	BRACKET.SOL.VALVE SUPPORT	[2]
23	9100001353	1	FILTER SOLUTION TANK PKD	

Part Notes:

- [1] - SEE TSB IT 2010-055
 [2] - STOCK COVERS GUARANTEE



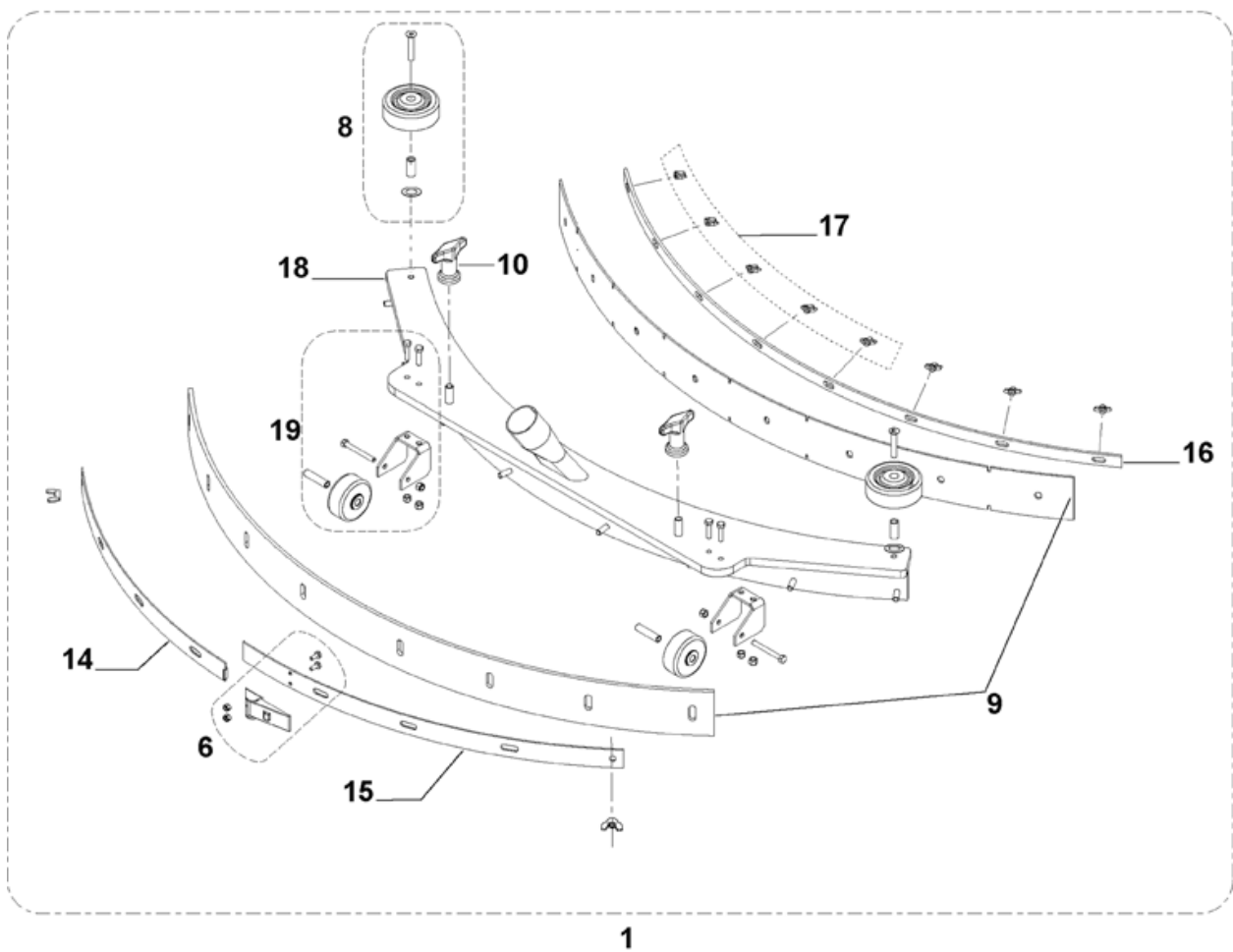
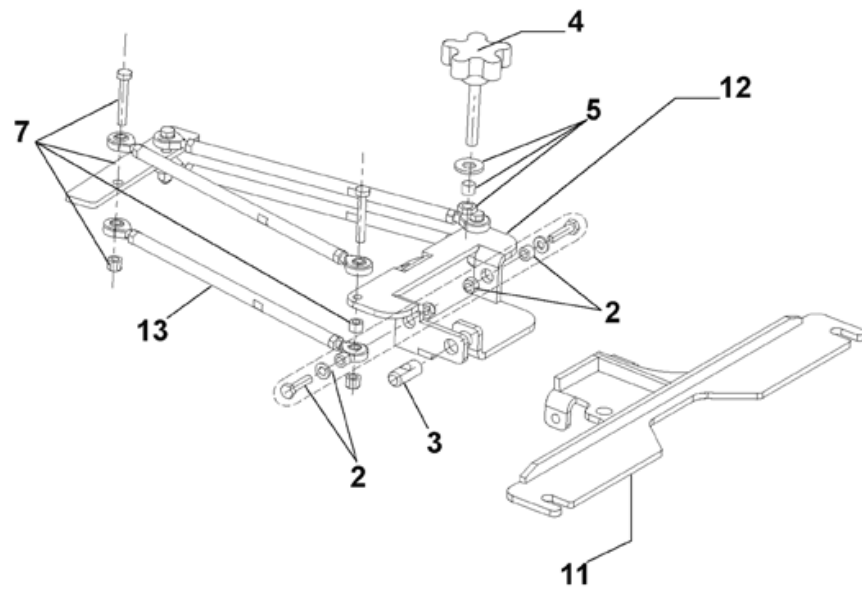
Resource notes:

Note: 17 + 18: - only for version with battery charger on-board

Pos.	Vare-nr	Antal	Beskrivelse	Notes
01	145 1129 000	6	WASHER FLARING M6X16 NYLON	
02	33004580	6	Screw Tpsei 6X30	
03		1	Squeegee systems	[1]
04	909 5903 000	1	HATCH RIGHT SIDE	[2]
05	909 5904 000	1	HATCH LEFT SIDE	[2]
06		1	Brush system	[3]
07		1	Front wheel assembly	[4]
08		1	Solution system	[5]
09		1	Squeegee suport system	[6]
10		1	Footboard assembly	[7]
11		1	Brush deck lifting system	[8]
12		1	Steering system	[9]
13		1	Cyl brush deck system BR751C/EDS	[10]
14		1	Chassis assembly	[11]
15		1	Tanks system	[12]
16	909 6068 000	1	CONTAINER BATTERY	[2]
17	909 6158 000	1	BOX BATT. CHARGER CABLE	
18	146 0765 000	2	SCREW M6X10 C/SUNK FLAT HD HEX ISO10642	

Part Notes:

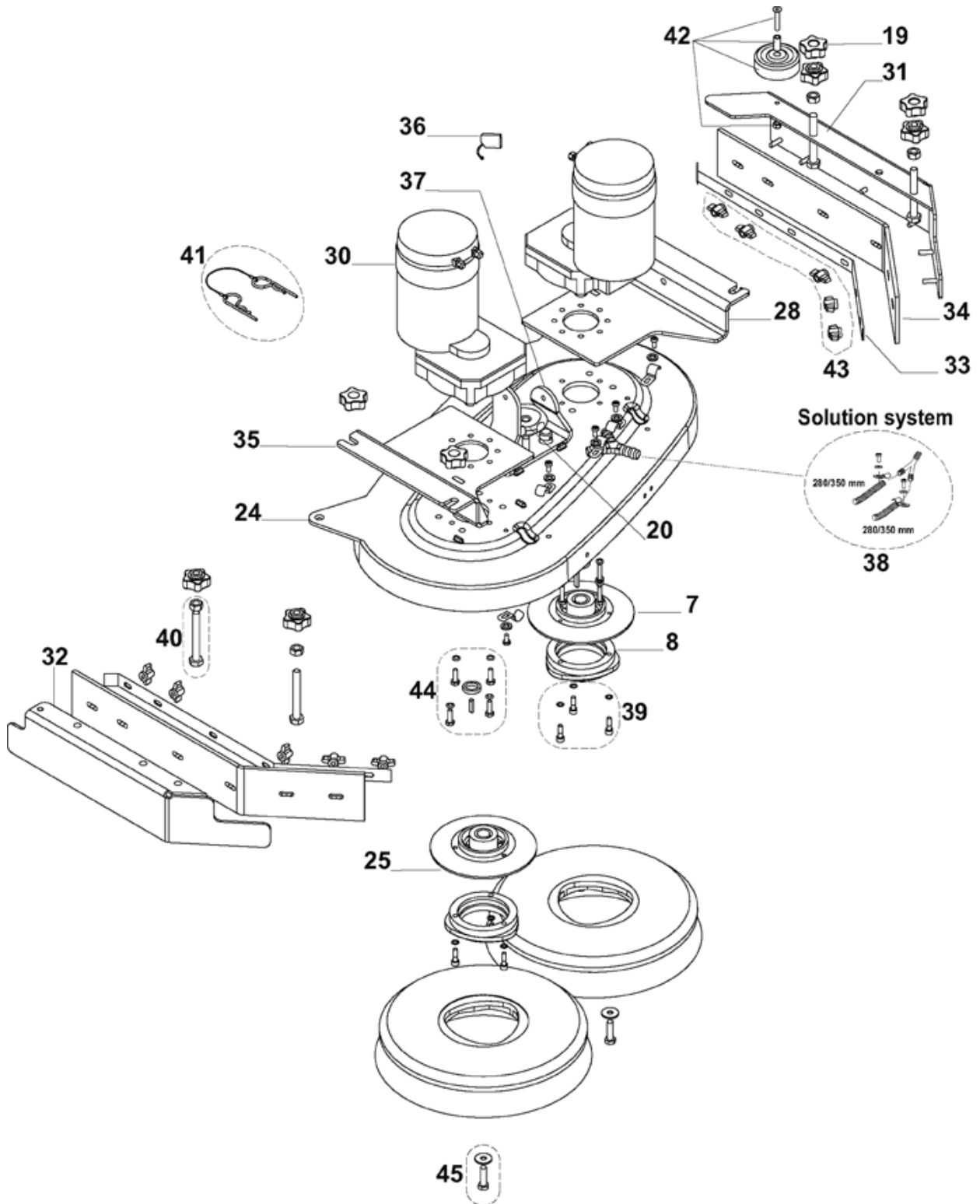
- [1] - SQUEEGEE SYSTEMSSqueegee systems BR 601/651/751/751C/EDS
- [2] - STOCK COVERS GUARANTEE
- [3] - BRUSH SYSTEMSBrush deck systems BR 601/651/751/EDS from 074129221and Brush deck systems BR 601/651/751/EDS before 074129221
- [4] - FRONT WHEEL ASSEMBLYFront wheel assembly - after january 2007and Front wheel assembly - before january 2007
- [5] - SOLUTION SYSTEMSolution system with / without EDS
- [6] - SQUEEGEE SUPPORT SYSTEMSqueegee systems BR 601/651/751/751C/EDS
- [7] - FOOTBOARD ASSEMBLYFootboard assembly
- [8] - BRUSH DECK LIFTING SYSTEMBrush deck lifting system
- [9] - STEERING SYSTEMSteering system
- [10] - CYLINDRICAL BRUSHES SYSTEMCyl. brush deck system BR 751C/EDS
- [11] - CHASSIS ASSEMBLYChassis system
- [12] - TANKS SYSTEM
Tanks assembly



Pos.	Vare-nr	Antal	Beskrivelse	Notes
00	9096945000	1	Tension Rod Kit	[1]
01	9097984000	1	SQUEEGEE CPL ALU 890MM/35 W/SUPPORT KIT	[2]
01	9097983000	1	SQUEEGEE CPL ALU 840MM/33 W/SUPPORT KIT	[2]
02	909 6397 000	1	Hardware Squeegee Kit	
03	L08601509	1	Bolt	
04	909 6223 000	1	Knob M 8X45	
05	909 6396 000	1	Monteringssæt	
06	909 6394 000	1	Latch Squeegee Kit	
07	9096973000	1	Hardware, Fixing Kit	[3]
07	909 6395 000	1	Hardware, Fixing Kit	
08	L08603880	1	Stødhjulskit, Sugefod	
09	9100000281	1	Sugegummi kit sværtefri 35" 890 mm	[2]
09	9100000280	1	Sugegummi kit sværtefri 33" 840 mm	[2]
10	9097637000	1	Monteringsskrue (2 Stk)	
11	9097907000	1	Support Squeegee	
12	909 6104 000	1	Holder,For Sugenal	
13	9096944000	4	Styrestang	
14	909 5351 000	1	STRAP REAR LEFT	
14	L08603833	1	Skinne, Sugegummi Ba530 Bageste, Højre	
15	909 5352 000	1	STRAP REAR RIGHT	
15	L08603834	1	Skinne, Sugegummi Ba530 Bageste, Venstre	
16	909 5349 000	1	STRAP FRONT	
16	L08603831	1	Strap Front	
17	909 6356 000	2	Vingemøtrik-Sæt (2 Stk.)	
18	9100000962	1	SQUEEGEE SS 840MM/33 SIP	
18	909 5487 000	1	WELDMENT SQUEEGEE TOOL	[2]
19	9100000573	1	Hjul til sugefod kit	

Part Notes:

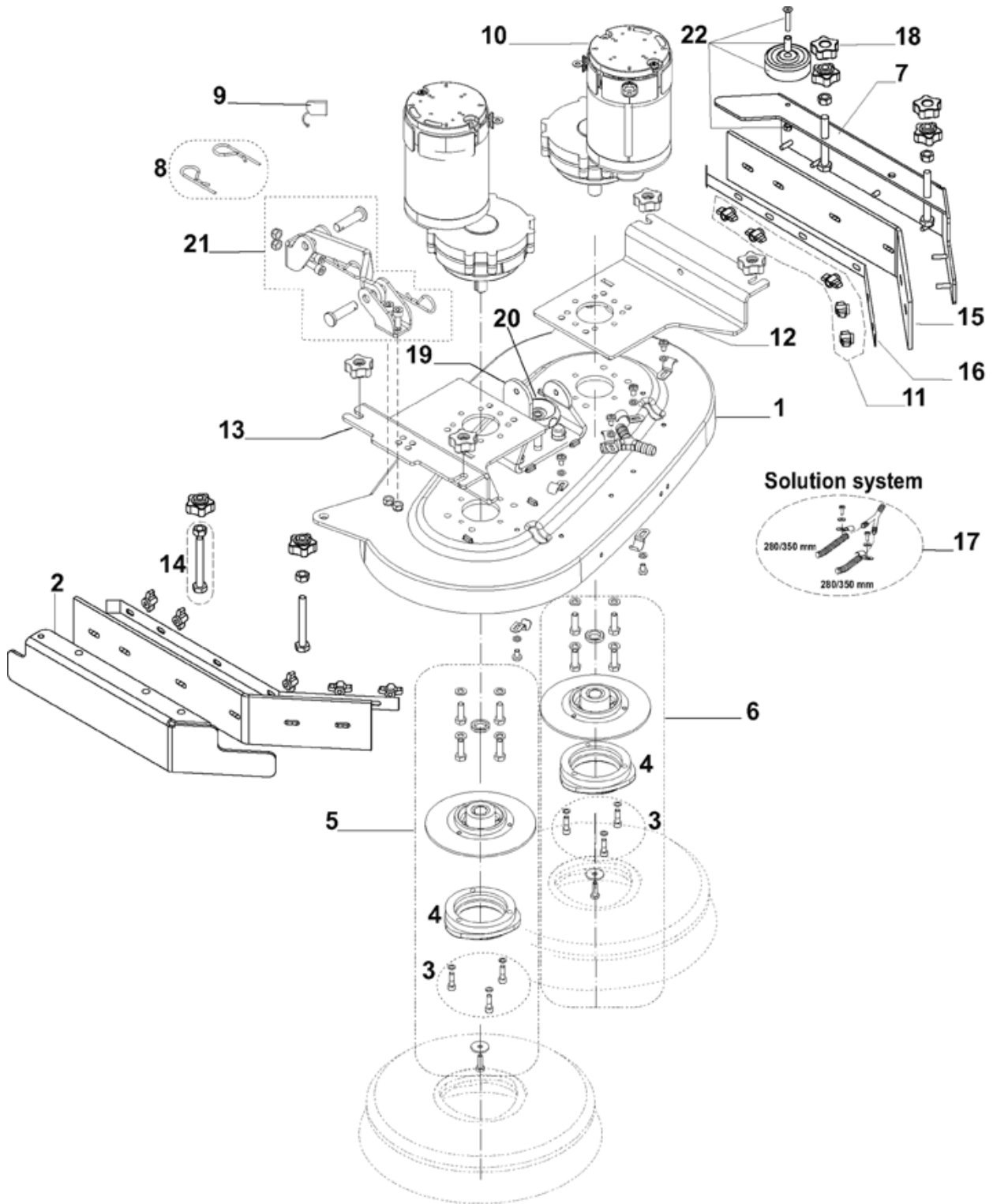
- [1] - FOR MACHINE BEFORE S/N070100618 TSB 2007-014
 [2] - TSB IT 2009-024
 [3] - POSITION 7 9096973000 SEE TSB IT 2007-014, before modification, started from S/N 070100618, the FIXING KIT was 909 6395 000



Pos.	Vare-nr	Antal	Beskrivelse	Notes
00	9097495000	1	Beslag til sidegummi venstre	[1]
00	909 6179 000	1	HARNESS BRUSH DECK	
00	9100002248	1	CONNECTOR 50A RED SIP	[2]
00	9097531000	1	Påkørselshjul Kit Br751	[3]
00	9097494000	1	Beslag til sidegummi højre	[1]
07	L08812306	1	Polyg. Flange Ba450/530	
08	9097090000	2	Polyg. Holder Br601 Mf.	
19	1467036000	8	KNOB LOBES M10 FEMALE PKD	
20	146 1037 000	1	Knob M10	
24	9099414000	1	DECK BRUSH 650MM	
24	909 5344 000	1	DECK BRUSH	
24	9099415000	1	DECK BRUSH 750MM	
25	L08603822	1	HUB.BRUSH R.GEARMOT.LEFT	
28	909 6166 000	1	BRACKET BRUSH MOTOR RIGHTSUPPORT	
28	909 6163 000	1	BRACKET BRUSH MOTOR RIGHT	
30	9100000309	2	REDUCTION GEARMOTOR 400W 24V KIT	[4]
31	9097494000	1	Beslag til sidegummi højre	
32	9097495000	1	Beslag til sidegummi venstre	
33	9099925000	2	Plade t/sideskørt Kit	
34	9097428000	2	Gummi Sideskørt	
35	909 6220 000	1	BRACKET BRUSH MOTOR LEFT	
35	909 6167 000	1	BRACKET BRUSH MOTOR LEFT SUPPORT	
36	909 5380 000	2	Carbon Brush Kit	[5]
36	9100000421	2	CARBON BRUSHES W/HOLDER KIT	[6]
37	909 6162 000	1	Bracket Brush Deck	
38	909 6351 000	1	Hose Water Brush Deck Kit	
39	909 6352 000	2	HARDWARE HUB FIXING KIT	
40	909 6353 000	1	Hardware, Fixing Kit	
41	909 6354 000	1	SPLIT PINS W/CABLE KIT	
42	909 6355 000	1	Roller Bumper Kit	
43	909 6356 000	2	Vingemøtrik-Sæt (2 Stk.)	
44	909 6357 000	1	HARDWARE. FIXING KIT	
45	909 6358 000	1	HARDWARE. FIXING KIT	

Part Notes:

- [1] - SEE TSB IT 2008-004
- [2] - INCLUDED ALSO IN THE 909 6179 000
- [3] - SEE TSB IT 2007-032
- [4] - SEE TSB -FC-2015-034
- [5] - STOCK COVERS GUARANTEE FOR OLD MOTOR 9097638000
- [6] - STOCK COVERS GUARANTEE FOR MOTOR 9100000309

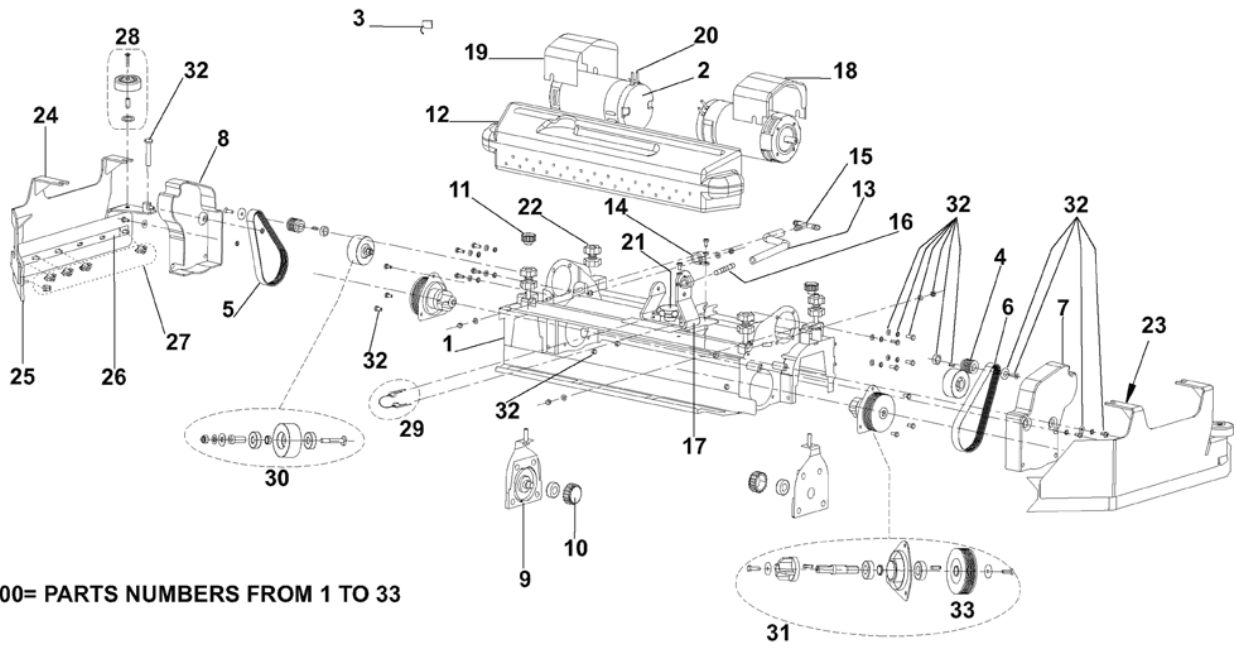


100= PARTS NUMBERS FROM 1 TO 22

Pos.	Vare-nr	Antal	Beskrivelse	Notes
00	909 6179 000	1	HARNES BRUSH DECK	
00	9100002248	1	CONNECTOR 50A RED SIP	[1]
01	9099415000	1	DECK BRUSH 750MM	
01	909 5344 000	1	DECK BRUSH	
01	9099414000	1	DECK BRUSH 650MM	
02	9097495000	1	Beslag til sidegummi venstre	
03	909 6352 000	2	HARDWARE HUB FIXING KIT	
04	9097090000	2	Polyg. Holder Br601 Mf.	
05	9097496000	1	Holder Polygonal Right Kit	
06	9097497000	1	Holder Polygonal Left Kit	
07	9097494000	1	Beslag til sidegummi højre	
08	909 6354 000	2	SPLIT PINS W/CABLE KIT	
09	909 5380 000	2	Carbon Brush Kit	[2]
10	9097638000	2	Gearmotor 400W	
100	909 6344 000	1	DECK BRUSH 740MM/28 KIT	[3]
100	909 6342 000	1	DECK BRUSH 610MM/24 KIT	[4]
100	909 6343 000	1	DECK BRUSH 660MM/26 KIT	[3]
11	909 6356 000	2	Vingemøtrik-Sæt (2 Stk.)	
12	909 6163 000	1	BRACKET BRUSH MOTOR RIGHT	
12	909 6166 000	1	BRACKET BRUSH MOTOR RIGHTSUPPORT	
13	909 6220 000	1	BRACKET BRUSH MOTOR LEFT	
13	909 6167 000	1	BRACKET BRUSH MOTOR LEFT SUPPORT	
14	909 6353 000	4	Hardware, Fixing Kit	
15	9097428000	2	Gummi Sideskørt	
16	9097427000	2	Skinne, Skørt R 371	
17	909 6351 000	1	Hose Water Brush Deck Kit	
18	1467036000	8	KNOB LOBES M10 FEMALE PKD	
19	909 6162 000	1	Bracket Brush Deck	
20	146 1037 000	1	Knob M10	
21	9097498000	1	Arm Br.Deck Reinforc. Kit	
22	909 6355 000	1	Roller Bumper Kit	

Part Notes:

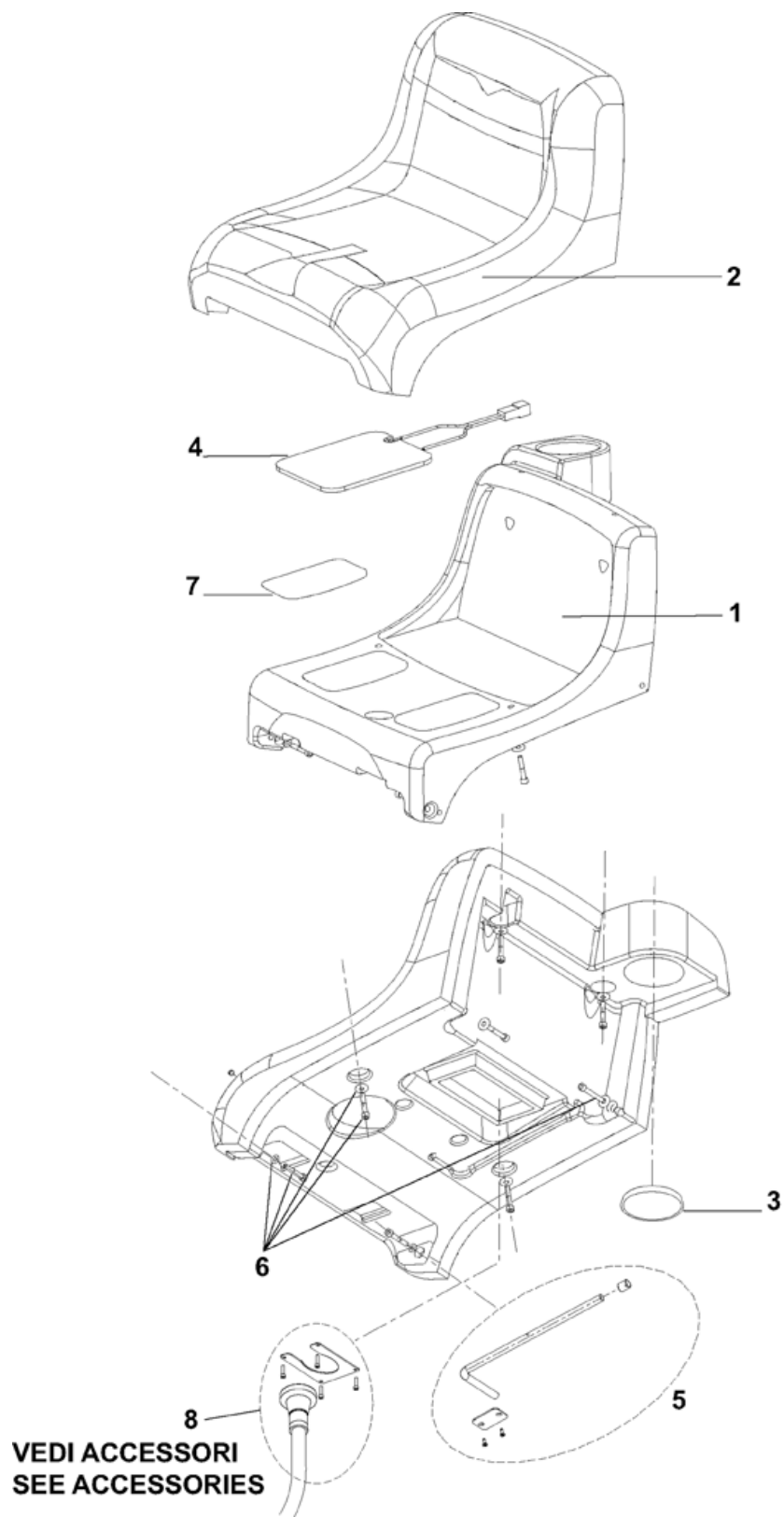
- [1] - INCLUDED ALSO IN THE 909 6179 000
- [2] - STOCK COVERS GUARANTEE
- [3] - INSTALLATION INSTRUCTION 909 6318 000
ITEM NO LONGER AVAILABLE
- [4] - INSTALLATION INSTRUCTION 909 6318 000



Pos.	Vare-nr	Antal	Beskrivelse	Notes
00	909 6196 000	1	HARNES CIL. BRUSH DECK	[1]
00	9100002248	1	CONNECTOR 50A RED SIP	[2]
1	909 6189 000	1	Ramme Cylinderdæk BR 751	[1]
2	909 5774 000	2	Motor Electric 600W 24V	[1]
3	L08603949	2	Kul Kit 4 Stk	
4	909 5758 000	2	PULLEY	
5	909 5761 000	1	Drivrem,Børste	[3]
5	909 6731 000	1	Rem Poly-V	[4]
6	9095760000	1	BELT	[3]
6	909 5761 000	1	Drivrem,Børste	[4]
7	9095724000	1	RIGHT CRANKCASE BELT PROTECT	[5]
7	909 6785 000	1	Crankcase.Belt Protection Right	[4]
8	9095725000	1	LEFT CRANKCASE BELT PROTECT	[6]
8	909 6786 000	1	Crankcase,Belt Protection Left	[4]
9	909 6190 000	2	Endedæksel	
10	56407551	2	Nav,Børste Br1100C	[7]
11	909 5964 000	2	Knob M8	
12	909 6225 000	1	snavsebeholder	
13	909 5141 000	1	HOSE PVC W/SPIRAL D.10X16 L.320MM	
14	909 5516 000	2	CLAMP HOSE D.18	
15	145 4366 000	1	HOLDER RUBBER T D.12	
16	9096953000	1	PIPE FITTING D.12/10	[1]
17	909 6162 000	1	Bracket Brush Deck	
18	909 5802 000	1	CRANKCASE MOTOR PROTECT.	
19	909 5803 000	1	CRANKCASE MOTOR PROTECT.	
20	909 5957 000	4	CAP INSULATING	[8]
21	146 1037 000	1	Knob M10	
22	1467036000	8	KNOB LOBES M10 FEMALE PKD	
23	909 6192 000	1	Support Right	[1]
24	909 6193 000	1	SUPPORT LEFT	[1]
25	909 6194 000	2	Gummi Sideskørt C-Model	
26	909 6195 000	2	PLATE SIDE SKIRT	[1]
27	909 6356 000	2	Vingemøtrik-Sæt (2 Stk.)	
28	L08603880	1	Stødhjulskit, Sugefod	
29	909 6354 000	1	SPLIT PINS W/CABLE KIT	
30	9098485000	2	Belt Tensioner Kit	
31	909 6361 000	2	Pulley Kit	[3]
31	909 6829 000	2	Pulley Kit	[4]
32	909 6362 000	1	HARDWARE CYL.DECK KIT	
33	909 6730 000	2	PULLEY POLY-V	[4]
33	909 6361 000	2	Pulley Kit	[3]
100	9100001065	1	COVER F INSPECTION PLATE BLACK SIP	[9]

Part Notes:

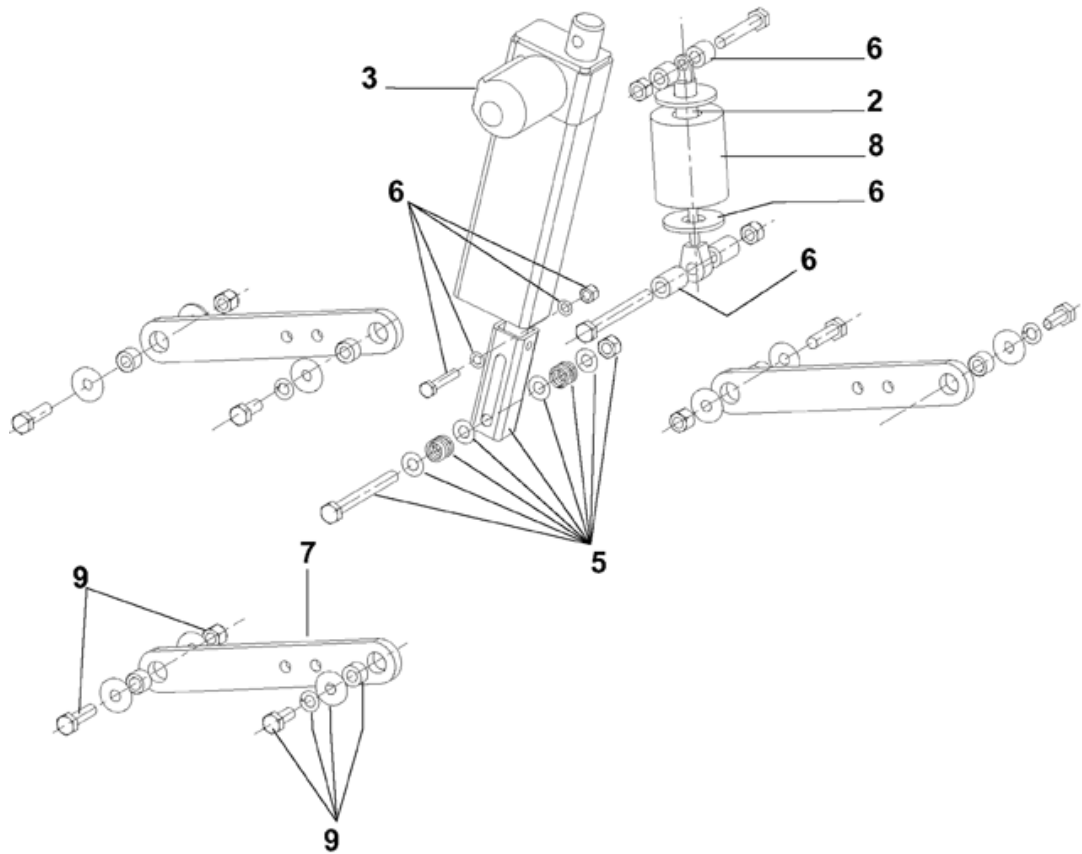
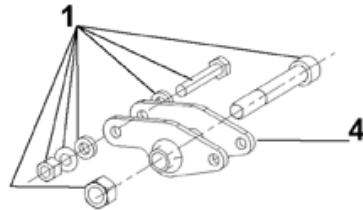
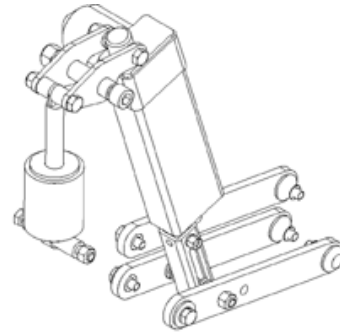
- [1] - STOCK COVERS GUARANTEE
- [2] - INCLUDED ALSO IN THE 909 6196 000
- [3] - FOR MACHINES BEFORE S/N 063719996
- [4] - FOR MACHINES FROM S/N 063719996
- [5] - FOR MACHINES BEFORE S/N 063719996
REPL BY 909 5724 000
- [6] - FOR MACHINES BEFORE S/N 063719996
REPL BY 909 5725 000
- [7] - EXPIRED USE 56115273
- [8] - ITEM NO LONGER AVAILABLE
- [9] - INSTALLATION INSTRUCTION 909 6318 000



Pos.	Vare-nr	Antal	Beskrivelse	Notes
1	909 5898 000	1	SUPPORT SEAT	[1]
2	909 5897 000	1	SEAT	[1]
3	909 6098 000	1	CAP d.85	[1]
4	9100001152	1	MICROSWITCH SIP	
5	909 6383 000	1	HARDWARE.LEVER FIXING KIT	
6	909 6384 000	1	HARDWARE.SEAT FIXING KIT	
7	909 6241 000	2	PLATE RUBBER	[1]
8		1	Accessory	[2]

Part Notes:

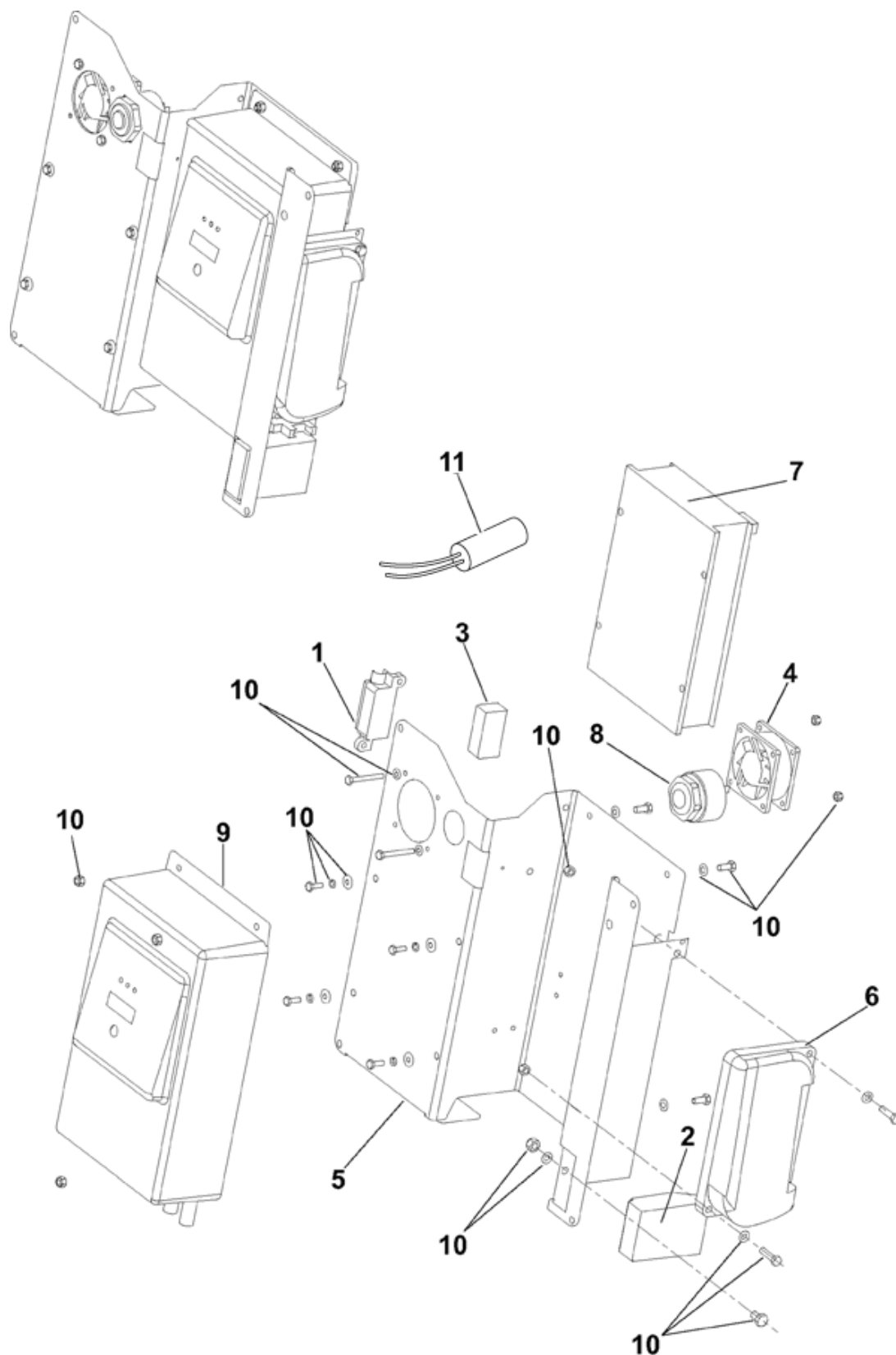
- [1] - STOCK COVERS GUARANTEE
- [2] - ACCESSORY



Pos.	Vare-nr	Antal	Beskrivelse	Notes
01	909 6385 000	1	HARDWARE.LEVER FIXING KIT	
02	909 5637 000	1	Gas Fjeder	
03	909 6107 000	1	Løftemotor 24V	
04	909 6109 000	1	Lever	[1]
05	909 6387 000	1	Tube Jack Motor Kit	
06	909 6388 000	1	Hardware Lever Fixing Kit	
07	909 6115 000	3	LEVER LEFT SUPPORT	[1]
08	909 6117 000	1	SPACER RUBBER	[1]
09	909 6386 000	3	Løftestang	

Part Notes:

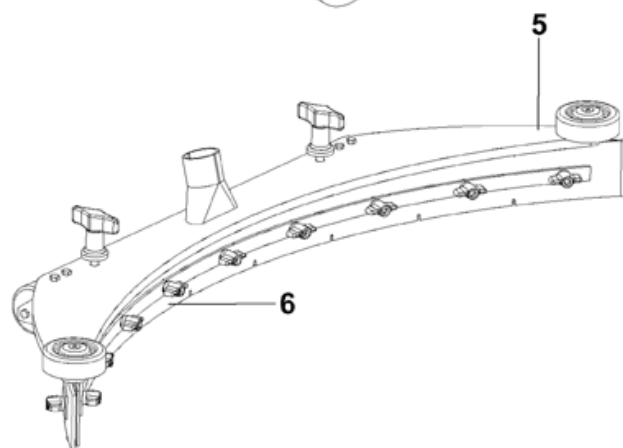
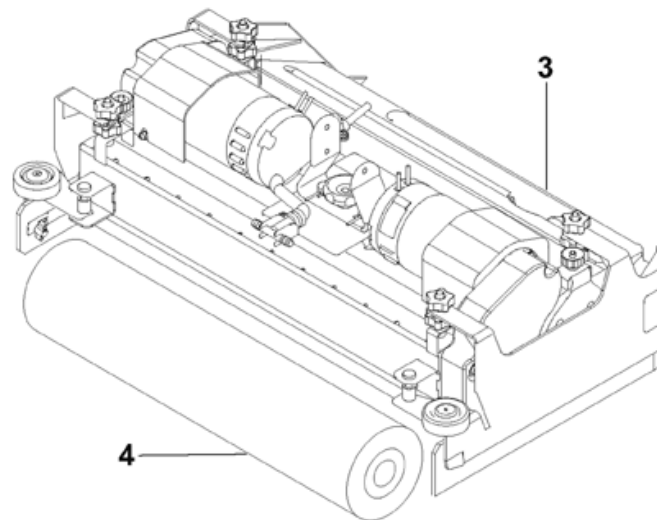
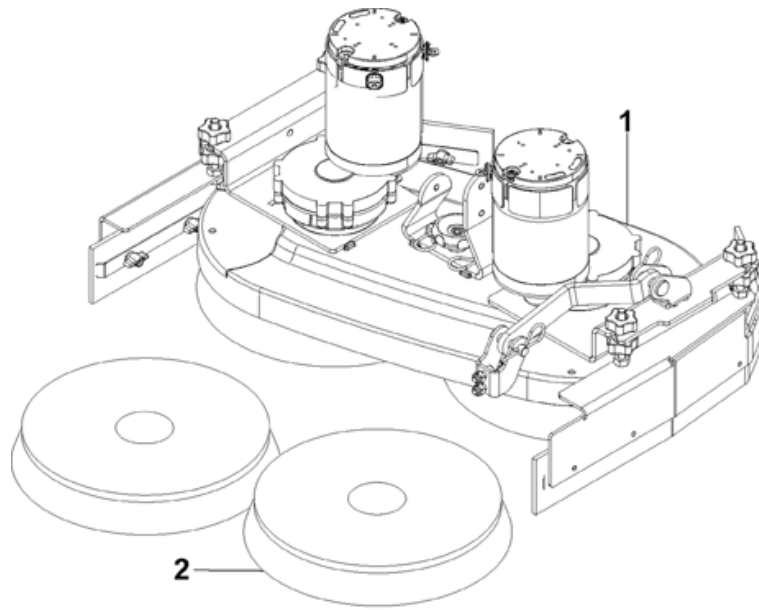
[1] - STOCK COVERS GUARANTEE



Pos.	Vare-nr	Antal	Beskrivelse	Notes
00	9097156000	1	SWITCH PROTECTION KIT	
00	9100001951	1	HARNES BATTERY KIT	
00	145 1726 000	1	FUSE 10A	[1]
00	146 2141 000	1	FUSE 15A	[2]
00	145 1980 000	1	Fuse 100A	[3]
00	1466203000	1	CONTROLLER BATTERY CHARGER SIP	[1]
00	909 6574 000	1	HARNES PUMP	[4]
00	9100002117	2	CONNECTOR RED 120A PKD	[5]
00	909 6256 000	1	CABLE NET	[6]
00	1466204000	1	CONTROLLER DISPLAY SIP	[2]
00	909 6218 000	1	Sikring, 60 A	
00	145 9852 000	1	Sikring 5A	
00	146 0801 000	1	SWITCH WET/GEL	[1]
00	9100002248	1	CONNECTOR 50A RED SIP	[7]
00	909 6433 000	1	CHARGER BATT. O/B 24V 25A 100-115V KIT	[2]
00	909 6123 000	1	Harnes El.Compon.Box	
00	909 6252 000	1	CARD.DISPLAY	[1]
00	909 6251 000	1	FAN COOLING	[6]
00	9097723000	1	Gasket Battery Gharger Kit	[8]
00	909 6432 000	1	CHARGER BATT. ON BOARD 24V 25A 230V KIT	[1]
00	9096926000	1	HARNES MACHINE	[3]
00	9097590000	1	Batteri Kabel	
00	909 6260 000	1	CABLE	[9]
00	1466205000	1	CONTROLLER BATTERY CHARGER SIP	[2]
01	145 8046 000	1	Säkeringshållare	
02	146 0659 000	1	HOLDER MAXIFUSE	
03	909 6341 000	1	HOLDER FUSE	
04	909 6131 000	1	FAN COOLING	
05	909 6116 000	1	SUPPORT.ELECTRONIC COMP.	[3]
06	1466200000	1	CONTROLLER DRIVE WHEEL PKD	
07	1466201000	1	CARD ELECTRONIC FUNCTIONS PKD	
08	909 6126 000	1	BUZZER 5-32V	
09	909 6257 000	1	CHARGER BATT. ON BOARD 24V 25A 100-115V	
09	909 6157 000	1	Lader 24V 25A 230V Indbyg.	
10	909 6363 000	1	HARDWARE ELECTR.COMP.KIT	
11	9097903000	1	FILTER NOISE	[3]

Part Notes:

- [1] - FOR BAT.CHARGER 24V 25A 230V 909 6157000
- [2] - FOR BAT.CHARGER 24V 25A 100-115V 909 6257 000
- [3] - STOCK COVERS GUARANTEE
- [4] - ITEM NO LONGER AVAILABLE
- [5] - INCLUDED ALSO IN THE 909 6123 000-909 6125 000
- [6] - FOR BAT.CHARGER 24V 25A 230V 909 6157000
STOCK COVERS GUARANTEE
- [7] - INCLUDED ALSO IN THE 909 6123 000
- [8] - INST.INSTR.9097722000
- [9] - FOR BAT.CHARGER 24V 25A 100-115V 909 6257 000
STOCK COVERS GUARANTEE



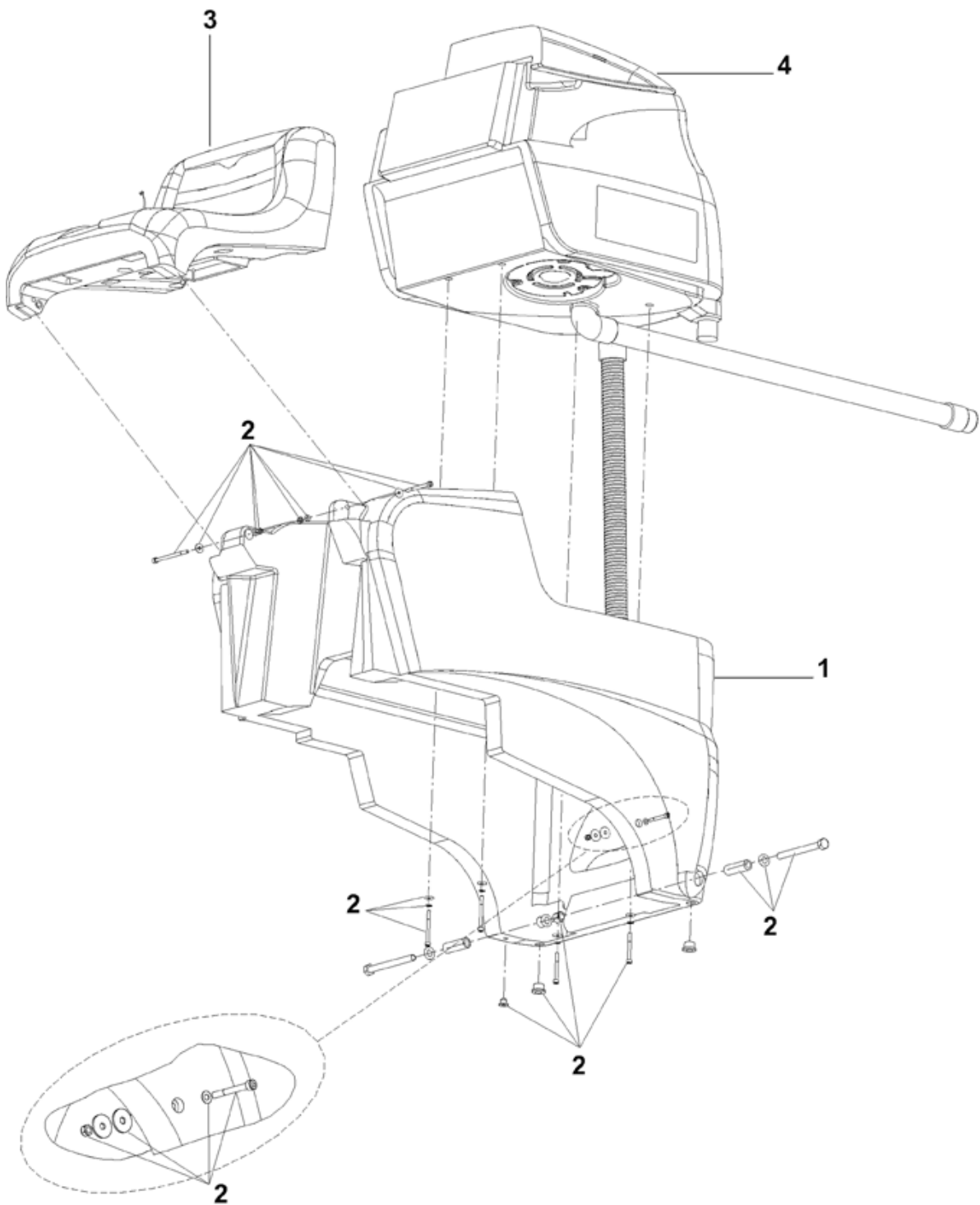
Pos.	Vare-nr	Antal	Beskrivelse	Notes
00	9097911000	1	DECK BRUSH 690MM/28 CYL KIT WITH SQUEEG	[1]
00	9097909000	1	DECK BRUSH 650MM/26 KIT WITH SQUEEGEE 3	[1]
00	56505195	1	Rondellås Lynkobling	
00	L08603966	1	Ring Nylon	
00	9097908000	1	DECK BRUSH 610MM/24 KIT WITH SQUEEGEE 3	[1]
00	9097910000	1	DECK BRUSH 710MM/28 KIT WITH SQUEEGEE 3	[1]
1	909 6342 000	1	DECK BRUSH 610MM/24 KIT	
1	909 6344 000	1	DECK BRUSH 740MM/28 KIT	[2]
1	909 6343 000	1	DECK BRUSH 660MM/26 KIT	[2]
2	L08603873	2	Børste Mid Grit 180 12" Ø305 mm	
2	909 5334 000	2	Børste Mid Grit 180 13" Ø330 mm	
2	L08603874	2	Børste Prolite 12" Ø305 mm	
2	909 5339 000	2	Børste Prolite 14,5" Ø370 mm	
2	9099670000	2	Rondelholder 12" Ø305 mm Velcro	
2	909 5338 000	2	Børste Prolite 13" Ø330 mm	
2	909 5330 000	2	Rondelholder 13" Ø330 mm	
2	909 5331 000	2	Rondelholder 14" Ø355 mm	
2	L08603842	2	Børste Prolene 12" Ø305 mm	
2	909 5335 000	2	Børste Mid Grit 180 14,5" Ø370 mm	
2	909 5333 000	2	Børste Prolene 14,5" Ø370 mm	
2	L08603875	2	Børste Union Mix 12" Ø305 mm	
2	909 5341 000	2	BRUSH d.370 UNION MIX	[3]
2	L08603872	2	Børste Midlite Grit 240 12" Ø305 mm	
2	909 5337 000	2	Børste Midlite Grit 240 14,5" Ø370 mm	
2	909 5332 000	2	Børste Prolene 13" Ø330 mm	
2	909 5340 000	2	Børste Union Mix 13" Ø330 mm	
2	909 5336 000	2	Børste Midlite Grit 240 13" Ø330 mm	
3	9100001065	1	COVER F INSPECTION PLATE BLACK SIP	
4	56412191	2	Cylinderbørste blød nylon gul 680 mm	[3]
4	56412192	2	Cylinderbørste nylon 710 mm	
4	56412046	2	Cylinderbørste polypropylen 710 mm	
4	56412193	2	Cylinderbørste Grit 180 grå/blå 710 mm	
4	56412195	2	Cylindrisk børste Super Grit 690 mm	[3]
4	56412194	2	Børste Grit 80 sort 680 mm	[3]
5	909 5372 000	1	"Sugefod Kit 33" Komplet "	
5	909 5373 000	1	Sugefod Kit Kompl	[4]
6	9096991000	1	Sugegummi kit polyurethan 35" 890 mm	
6	909 6859 000	1	Sugegummi kit polyurethan 33" 830 mm	
6	9100000280	1	Sugegummi kit sværtefri 33" 840 mm	
6	9100000281	1	Sugegummi kit sværtefri 35" 890 mm	

Part Notes:

- [1] - INST.INSTRUCTION 909 6318 000
PRUNED ACCESSORY
- [2] - ITEM NO LONGER AVAILABLE
- [3] - COMPLEXITY REDUCTION
- [4] - PRUNED ACCESSORY

**VEDI GRUPPO SEDILE
SEE SEAT ASSEMBLY**

**VEDI SERBATOIO ACQUA SPORCA
SEE RECOVERY TANK**

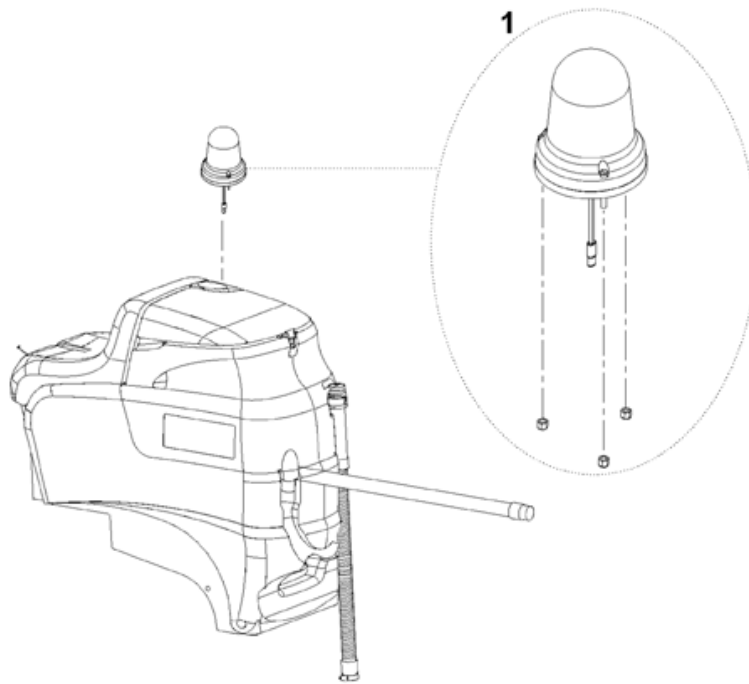


Pos.	Vare-nr	Antal	Beskrivelse	Notes
01	909 5900 000	1	TANK SOLUTION	[1]
02	909 6401 000	1	Vandtanks Kit	
03		1	Seat assembly	[2]
04		1	Recovery tank	[3]

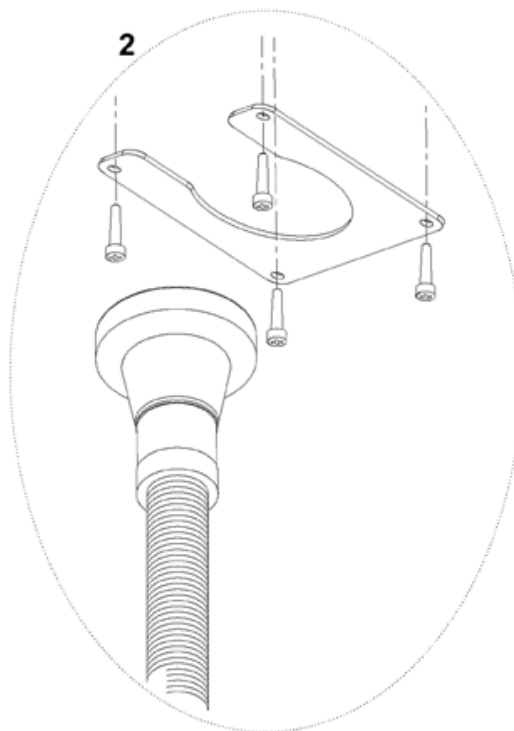
Part Notes:

- [1] - STOCK COVERS GUARANTEE
- [2] - SEAT ASSEMBLYSeat assembly
- [3] - RECOVERY TANKRecovery tank starting from serial number 080200537and Recovery tank before serial number 080200537

FLASHING BEACON KIT/ KIT LUCE PIVOETTANTE



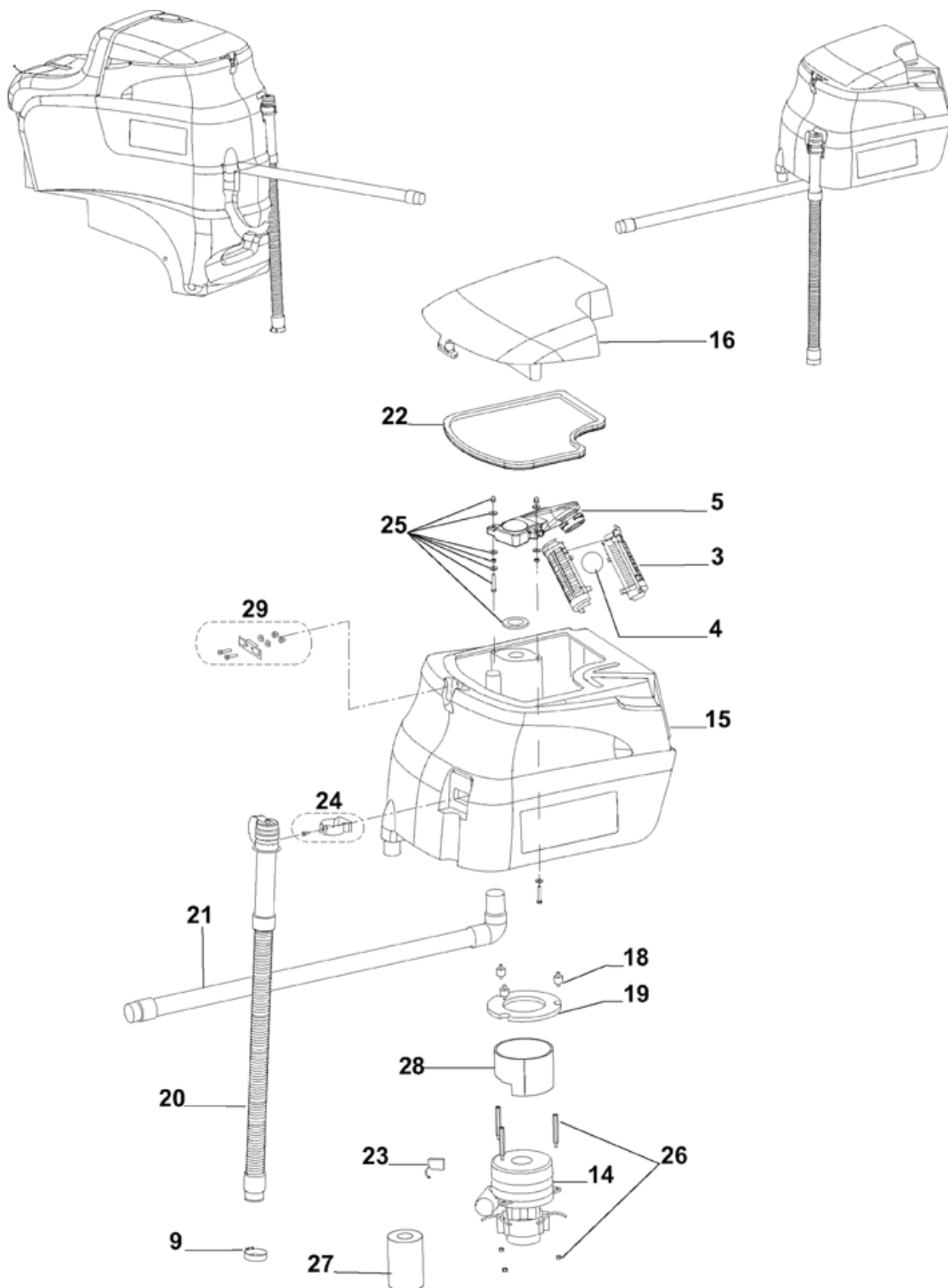
WATER FEED HOSE KIT/ KIT TUBO CARICO ACQUA PULITA



Pos.	Vare-nr	Antal	Beskrivelse	Notes
00	909 6340 000	1	SILECER REVERSE ALARM KIT	[1]
00	1466207000	1	PROGRAMMER F ELECTRONIC CARDS PKD	
01	146 2692 000	1	Rotorblink	[2]
02	909 6814 000	1	HOSE FILLING KIT	[3]

Part Notes:

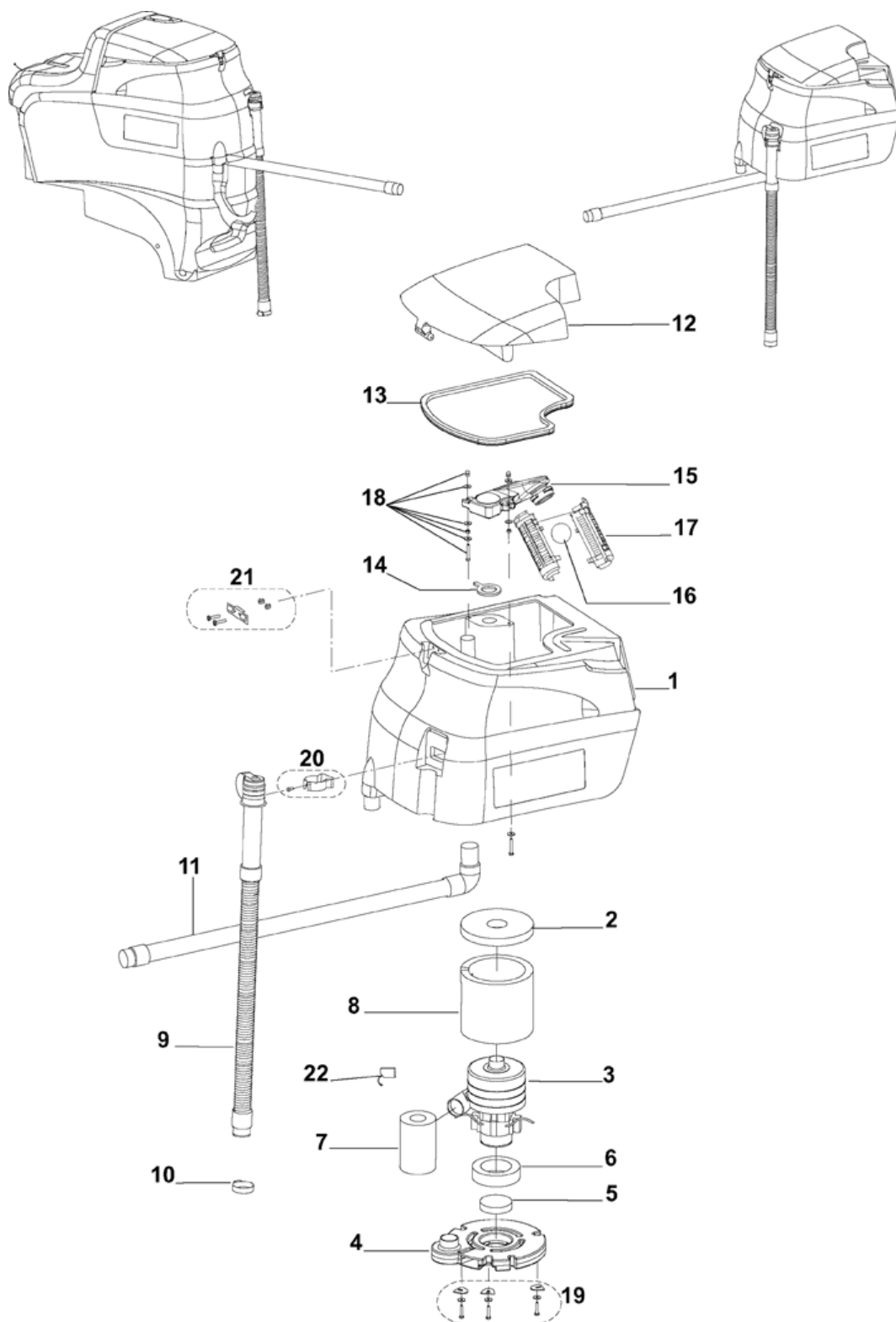
- [1] - INSTALLATION INSTR.909 6422 000
PRUNED ACCESSORY
- [2] - INSTALLATION INSTR.146 2693 000
- [3] - INSTALLATION INSTR.909 6816 000



Pos.	Vare-nr	Antal	Beskrivelse	Notes
00	909 6128 000	1	CLIP J STYLE ADHESIVE MOUNT	
3	9100000818	1	CAGE FLOAT HALF 2 PCS SET	
4	9100000817	1	BALL FLOATING PKD	
5	L08812926	1	Holder,Float Cage	[1]
9	9100001348	1	CLAMP 14/32-52 10 PCS SET	
14	909 5370 000	1	Sugemotor BA 650/750/600	
15	9097400000	1	TANK RECOVERY KIT	
16	909 5902 000	1	COVER TANK	[1]
18	909 6094 000	3	Vibration Damping M 6	[1]
19	909 6095 000	1	Gasket. Vacuum Motor	[1]
20	909 6096 000	1	Slange Aftapning Br601	[1]
21	909 6097 000	1	Sugeslange BA 751 C	[1]
22	146 0629 000	1	Pakning, Skidtvands Tank Br 651	
23	909 5371 000	2	Kul, Sugemotor 410/343	
24	909 6380 000	1	Slangeklemme Kit	
25	909 6381 000	1	Hardware.Float Cage Kit	
26	909 6382 000	1	Dele For Montering	
27	909 6442 000	1	Pipe,Acoustic Insulation	
28	909 6569 000	1	Insulation Acoustic	[1]
29	909 6810 000	1	COVER TANK LOCKING KIT	[2]

Part Notes:

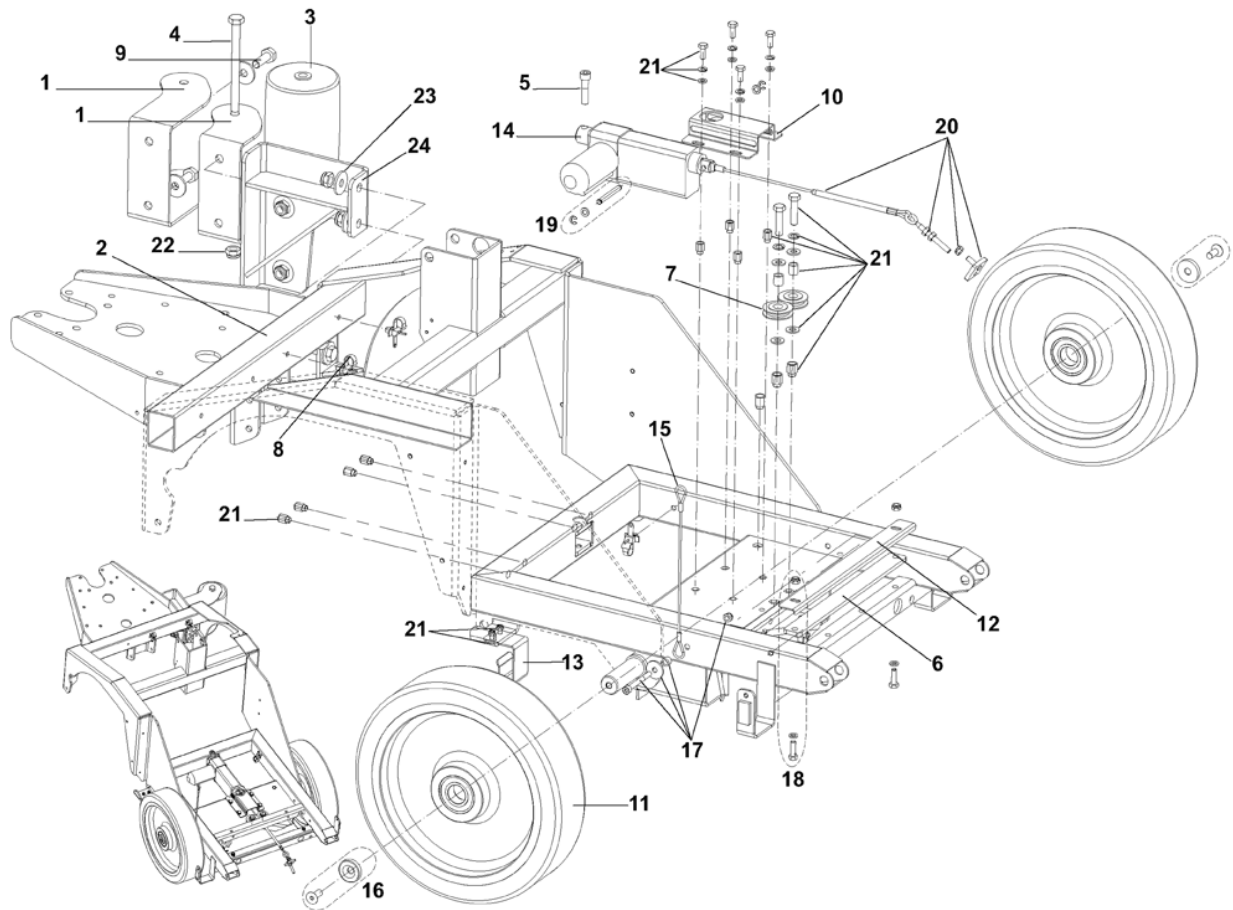
- [1] - STOCK COVERS GUARANTEE
 [2] - INSTALLATION INSTRUCTIONS 909 6812 000



Pos.	Vare-nr	Antal	Beskrivelse	Notes
00	9097400000	1	TANK RECOVERY KIT	
1	9097336000	1	TANK RECOVERY	
2	909 6489 000	1	Gasket Vacuum Motor	
3	9097466000	1	Sugemotor	
4	909 6051 000	1	Cover.Vacuum Motor	
5	9097399000	1	FILTER	
6	909 6490 000	1	Gasket Vacuum Motor	
7	909 6442 000	1	Pipe,Acoustic Insulation	
8	909 6491 000	1	Panel Acoustic Insulation	
9	909 6096 000	1	Slange Aftapning Br601	[1]
10	9100001348	1	CLAMP 14/32-52 10 PCS SET	
11	909 6097 000	1	Sugeslange BA 751 C	[1]
12	909 5902 000	1	COVER TANK	[1]
13	909 6268 000	1	Pakning	
14	L08812968	1	Pakning Ba430/510	
15	L08812926	1	Holder,Float Cage	[1]
16	9100000817	1	BALL FLOATING PKD	
17	9100000818	1	CAGE FLOAT HALF 2 PCS SET	
18	909 6876 000	1	Hardware Cage Sup.Fix.Kit	[2]
19	909 6877 000	1	Hardware Motor Fixing Kit	
20	909 6380 000	1	Slangeklemme Kit	
21	909 6810 000	1	COVER TANK LOCKING KIT	[3]
22	909 5371 000	2	Kul, Sugemotor 410/343	

Part Notes:

- [1] - STOCK COVERS GUARANTEE
- [2] - due to ODM/ECN 2810 should have been considered valid for all
Machine configurations which were using it ONLY Before Serial Number 081813772 (Beginning of May 2008).
GUARANTEE DATE EXPIRED
- [3] - INSTALLATION INSTRUCTION 909 6812 000



Pos.	Vare-nr	Antal	Beskrivelse	Notes
00	909 6729 000	1	SQUEEGEE STOPPER KIT	[1]
01	9097205000	1	SUPPORT ROLLER BUMPER	[2]
01	9097206000	1	Support Roller Bumper	[3]
02	909 6065 000	1	FRAME	[4]
03	L08812248	1	Bumper Roller,Ba450/530	
04	33003824	1	SCREW M10X150 HEX HD P/THD ISO4014	
05	33004368	1	SCREW M8X35 CAP HD HEX SOCK ISO4762	
06	909 6240 000	1	PLATE	[4]
07	145 2612 000	2	Remskive	
08	146 0987 000	4	TIE CABLE ARROWHEAD	
09	33004010	2	SCREW M10X30 HEX HD F/THD ISO4017	
10	909 6066 000	1	PROTECTION ACTUATOR	[5]
11	909 6895 000	2	Wheel Rear D.300 Blue	[5]
12	909 6069 000	1	BAR F CABLE PROTECTION	
13	909 6070 000	1	BRACKET DRAIN HOSE SUPPORT	[5]
14	909 6715 000	1	Motor 24V	[5]
15	909 6151 000	1	Wire	
16	909 6364 000	1	HARDWARE.WHEEL FIXING KIT	
17	909 6365 000	1	HARDWARE.CABLE FIXING KIT	
18	909 6366 000	1	HARDWARE.PLATE FIXING KIT	
19	909 6367 000	1	Hardware.Pin Fixing Kit	
20	9098037000	1	Kabel For Sugefod	
21	909 6368 000	1	Hardware.Chas. Fixing Kit	
22	33005608	5	Møtrik M10 Uni7474	
23	L08604251	8	Disc 10,5 Ba340/450/530	
24	9097207000	1	Plate Roller Bumper Suppo Rt	

Part Notes:

- [1] - SEE TSB IT 2006-011TSB IT 2006-011. Squeegee stopper kit
- [2] - FOR BR 751 - 751C
- [3] - FOR BR 601 - 651
- [4] - ITEM NO LONGER AVAILABLE
- [5] - STOCK COVERS GUARANTEE

