

# PARTS LIST

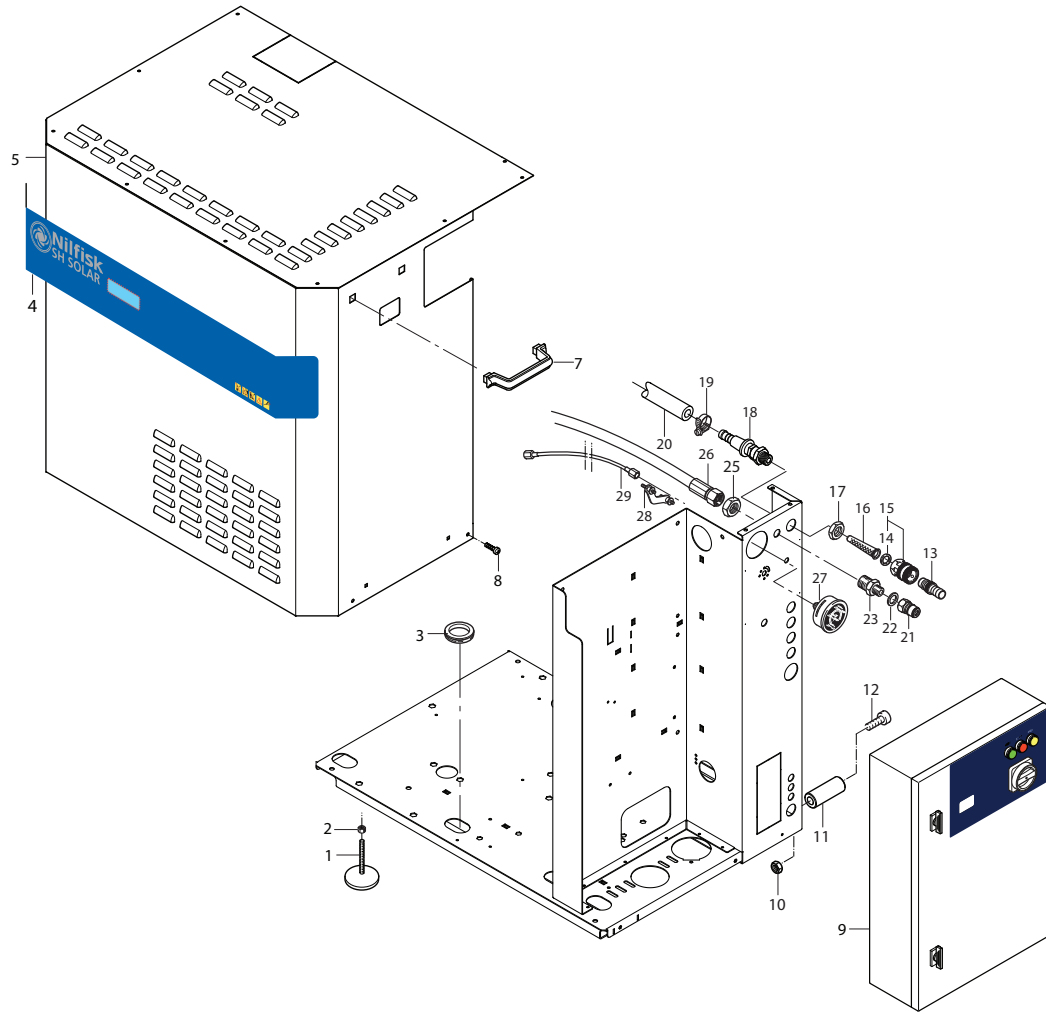


2017.06.07

# TABLE OF CONTENTS

---

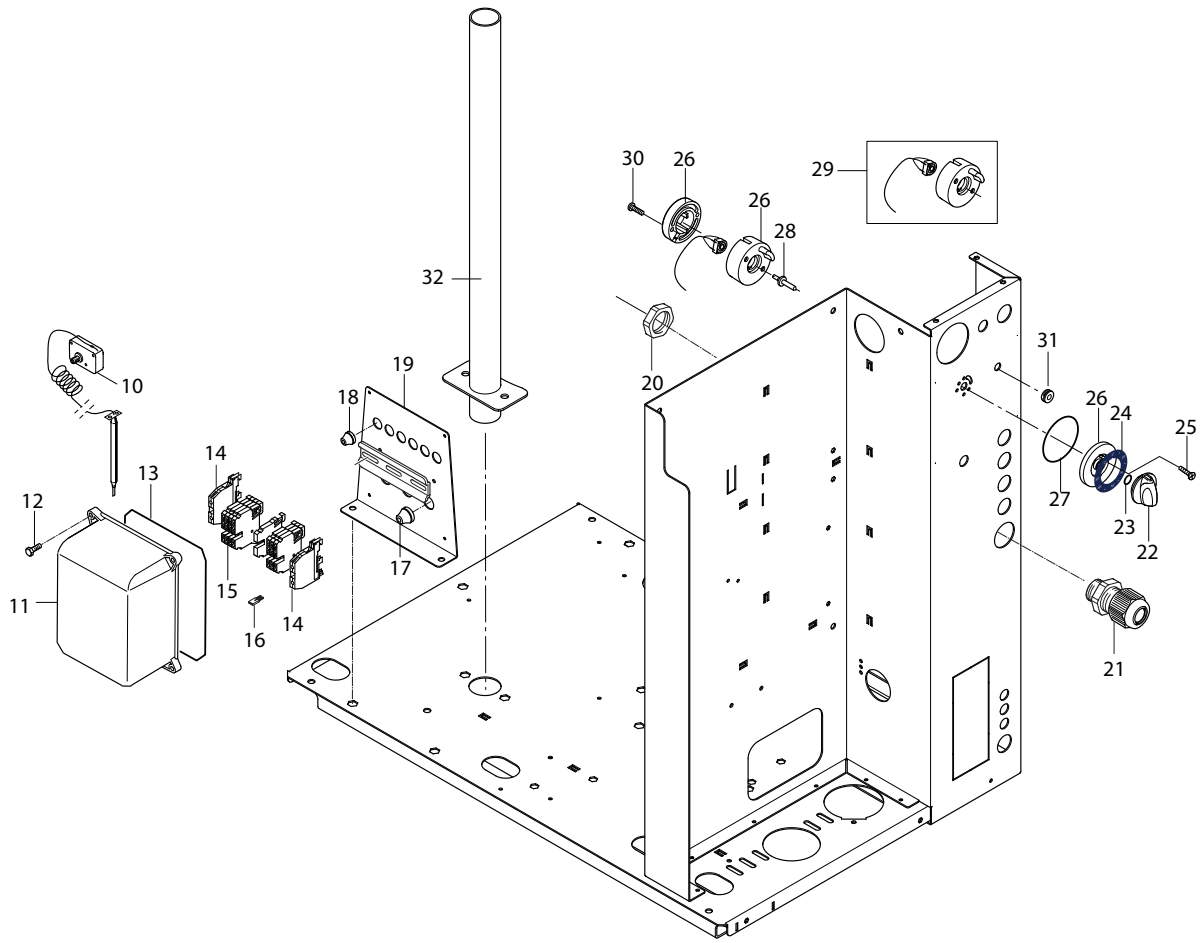
Overview 1 .....	1
Overview 2 .....	3
Electrical components .....	5
Water tank D and G .....	7
Motor 7 .....	9
Cylinder block 7 .....	12
Connection plate 7 .....	14
Unloader 7 (a) .....	16
Unloader 7 (b) .....	18
Fan .....	20
Distributor 7, 8 .....	22
Boiler .....	24
Burner unit from Dec. 2010 .....	26
Burner unit .....	28
Default accessories .....	30
OPTION Multiply machine connection box .....	32
OPTION Water inlet security .....	34
OPTION Automatic pressure release .....	36
OPTION No-scale .....	38
OPTION Remote control .....	40
OPTION 1x Detergent electric .....	42
OPTION 2x Detergent electric .....	44
OPTION 1x Manuel detergent - 5 and 7 .....	46
Recommended spare parts .....	48



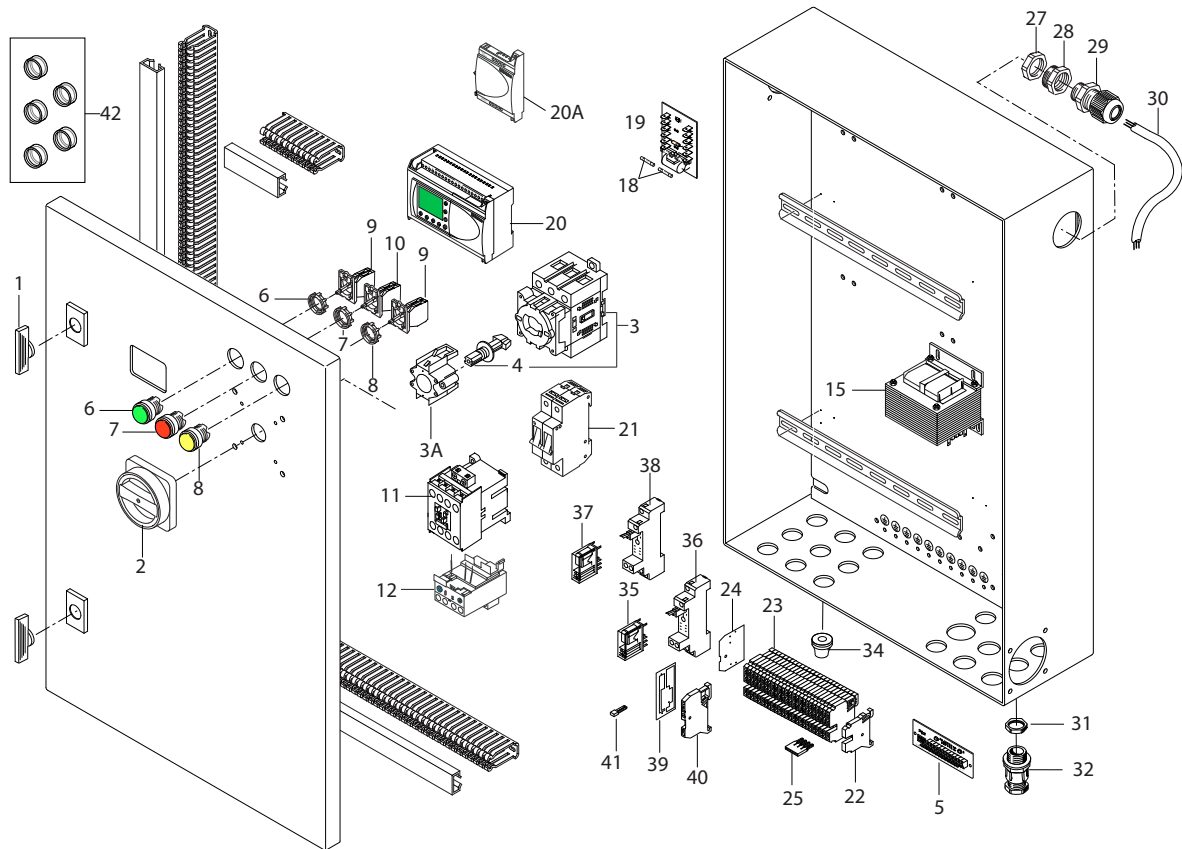
Pos.	Vare-nr	Antal	Beskrivelse	Notes
1	104601172	4	Supporting Block Ø60 M12X 70	
2	1810068	8	NUT M12	
3	103004331	4	SLEEVE PVC 45/ 60	
4	107319001	1	Front Label Solar Booster	
5	107318078	1	Kabinet	[1]
7	107318079	2	HANDLE FOR CABINET	
8	101814686	6	Screw M5X16	[2]
9		1	El-box	[3]
10	1801905	2	Møtrik M8	
11	107318080	2	SPACER	
12	1812296	2	SCREW M8X25 STAINLESS	
13	1600659	1	KEW kobling slange-ende 3/4" han	
14	3001237	1	Pakning Ø24,5Xø16X3	
15	1602945	1	KEW kobling, indiv. gevind 3/4"	
16	6100941	1	Filter	
17	1800341	1	"Kontramøtrik 3/4"" "	
18	6100937	1	Filterhus	
19	1810191	2	Spændebånd 13-27 A4 (SS)	
20	107318087	1	Slange 5/8 2M	
21	1603101	1	Ergo højtryksskobling DN10 RF han	
22	1801075	1	Tætningskive 3/8"	
23	6200484	1	Skotforskrining	
25	1803220	1	Kontramøtrik M18X1,5	
26	107318090	1	HIGH PRESSURE HOSE 3/8	
27	3600301	1	Manometer	
28	1808088	1	Spændestykke F. Manometer	
29	102406647	1	Slange	

## Part Notes:

- [1] - 5  
 [2] - STOCK COVERS GUARANTEE  
 [3] - El-box  
 See Electric parts



Pos.	Vare-nr	Antal	Beskrivelse	Notes
10	106268028	1	Exhaust Safety Thermostat Kit	
11	107318081	1	COVER FOR EL-BOX SOLAR D+G	
12	1804822	4	SCREW TAPTITE M4X16	
13	101406054	1	Sponge Rubber Ø4 L 1M	
14	3817483	2	Klemmerække, Jord	
15	103821920	12	WIRE TERMINAL	
16	103821923	1	JUMPER 2-POL.	
17	3803772	3	CABLE GROMMET TET 7-10C	
18	3803764	6	Pakdåse Tet 5-7C	
19	107318082	1	BRACKET FOR EL-BOX	
20	103821842	1	Møtrik M40X1,5	
21	103821831	1	Kabelbøsning	
22	909100204	1	Drejeknap	
23	9868	1	O-ring 10.0X2.5	
24	107319070	1	LABEL TEMP. SCALA 30-99DGC	
25	101814714	2	SCREW WN 1423 K40X16	
26	107313045	1	Sokkel For Drejeknap (Ter Mo)	
27	3001443	1	O-RING 60.0X2.62 NITRIL 70SH	
28	301000636	1	Aksle	
29	101118156	1	POTENTIOMETER KIT FOR SOLAR BOOSTER	
30	1814598	2	Skruer	
31	5172	1	RUBBER BUSH	
32	107313052	1	CENTRAL TUBE	

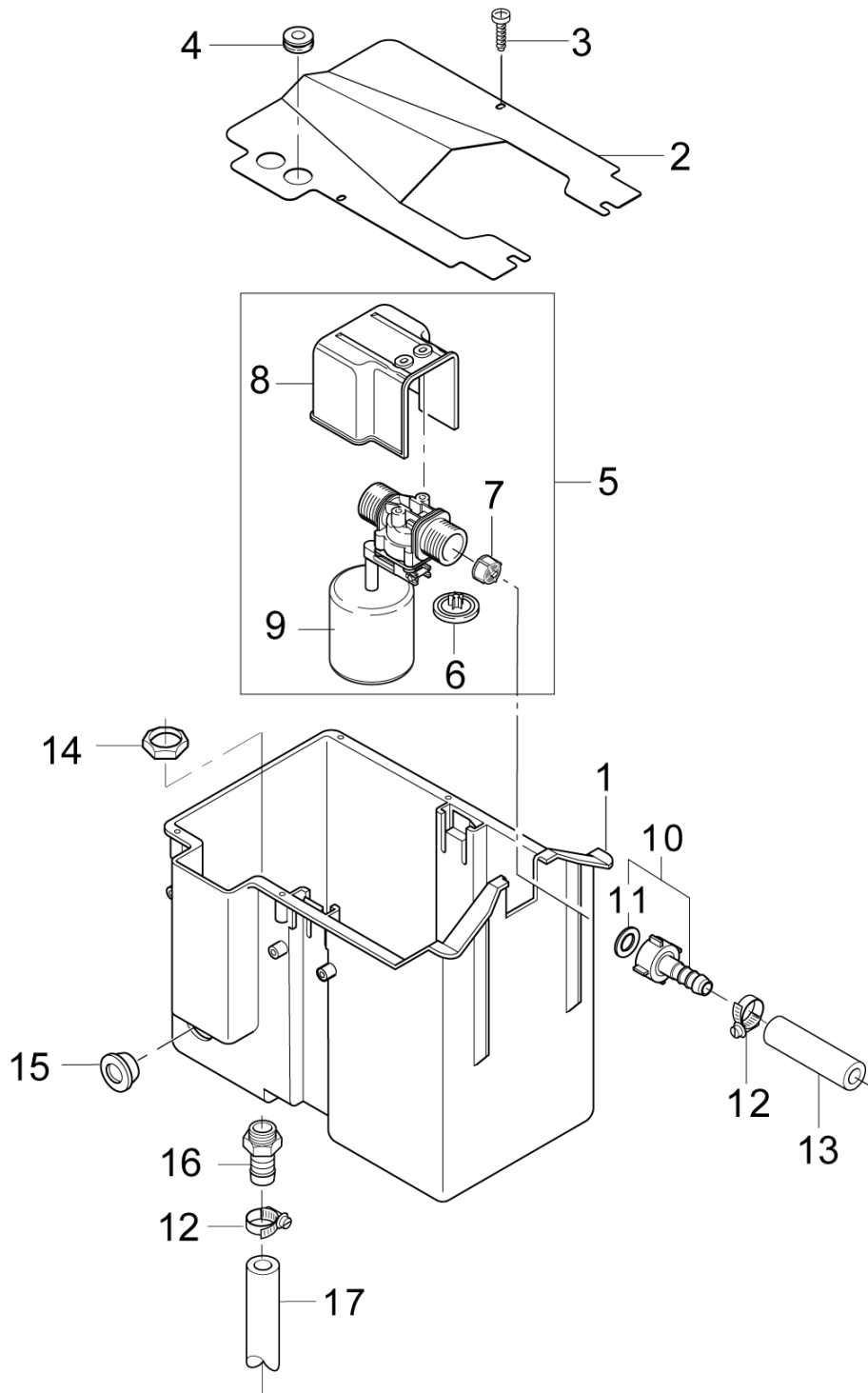


Pos.	Vare-nr	Antal	Beskrivelse	Notes
01	103821959	2	Key	
02	3830121	1	Greb for hovedafbryder	
03	103821919	1	MAIN SWITCH 25A	
03A	103821907	1	SHAFT FOR MAIN SWITCH 194L-G2853	
04	103821960	1	HANDLEBAR FOR MAIN SWITCH 25 A	
05	106420052	1	Circuit Board Solar Boos Ter	[1]
06	103821823	1	Lampekontakt, Grøn	
07	103821824	1	Signal Light Atteachment, Red	
08	103821900	1	SIGNAL LIGHT ATTACHMENT YELLOW	
09	103821825	2	Lampekontakt, Krop-Slutte	
10	103821826	1	Lampekontakt, Krop-Bryde	
11	103822306	3	Contacteur Cjx2-D18-B7 24V	[2]
11	103822313	1	Contacteur 12-25A 50/60Hz 24V	[3]
12	103822328	1	Thermal Relay 17-25Amp	[4]
12	103822327	1	Relæ 12-18 Amp	[5]
15	103821847	1	CONTROL TRANSFORMER 230V 24/19	
15	103821846	1	Sikkerhedstranf. 400V	
18	3812385	2	Sikring Ø5X20	
19	106420051	1	Circuit Board	
20	106426054	1	Plc M/Alto-Program Solar D	[6]
20	106426057	1	PLC M/ALTO-PROGRAM SOLAR GH	[7]
20	106426056	1	PLC M/ALTO-PROGRAM SOLAR G	[1]
20	106426059	1	PLC W/ALTO-PROGRAM SOLAR GW	[8]
20A	103821948	1	EXPANDER AL2-4EYR	
21	103821905	1	SAFETY DEVICE 2 POL 6A	
22	103821922	2	DIN-END STOP WO/SCREW WAGO 249-116	
23	103821920	14	WIRE TERMINAL	
24	103821921	1	END PLATE	
25	103821924	2	JUMPER 4-POL.	
27	103821832	1	NUT M25X1.5 PA/L GREY	
27	103821842	1	Møtrik M40X1,5	
28	103821874	1	REDUCTION M40/M25	
29	103821831	1	Kabelbøsning	
30	107318008	1	POWER CORD SOLAR D 1 PHASE	
30	107318001	1	Strømkabel Solar Booster D	
31	103821778	4	NUT M20X1.5	
32	103821785	4	CABLE BUSHING	
34	3803780	9	Pakdåse Tet 10-14C	
35	103821912	1	Mini Relay 1P 230V	[9]
36	103821914	1	BASE FOR MINI RELAY 1POL	[9]
37	103821915	2	Mini Relay 2P 24Vac	[10]
38	103821916	2	BASE	[10]
39	103821968	1	Endeplade Wago 4Q	
40	103821967	6	WIRE TERMINAL WAGO281 800V 4MM2	
41	103821969	2	Laske Wago 4Q	
42	107318028	1	Protection Cover 5 Pcs.	

## Part Notes:

- [1] - G
- [2] - 400V
- [3] - 230V
- [4] - 17-28A
- [5] - 12-16A
- [6] - D
- [7] - GH
- [8] - SOLAR BOOSTER 7-58GW
- [9] - K3, K5 (G, GH)
- [10] - K2, K2,1 (GW)

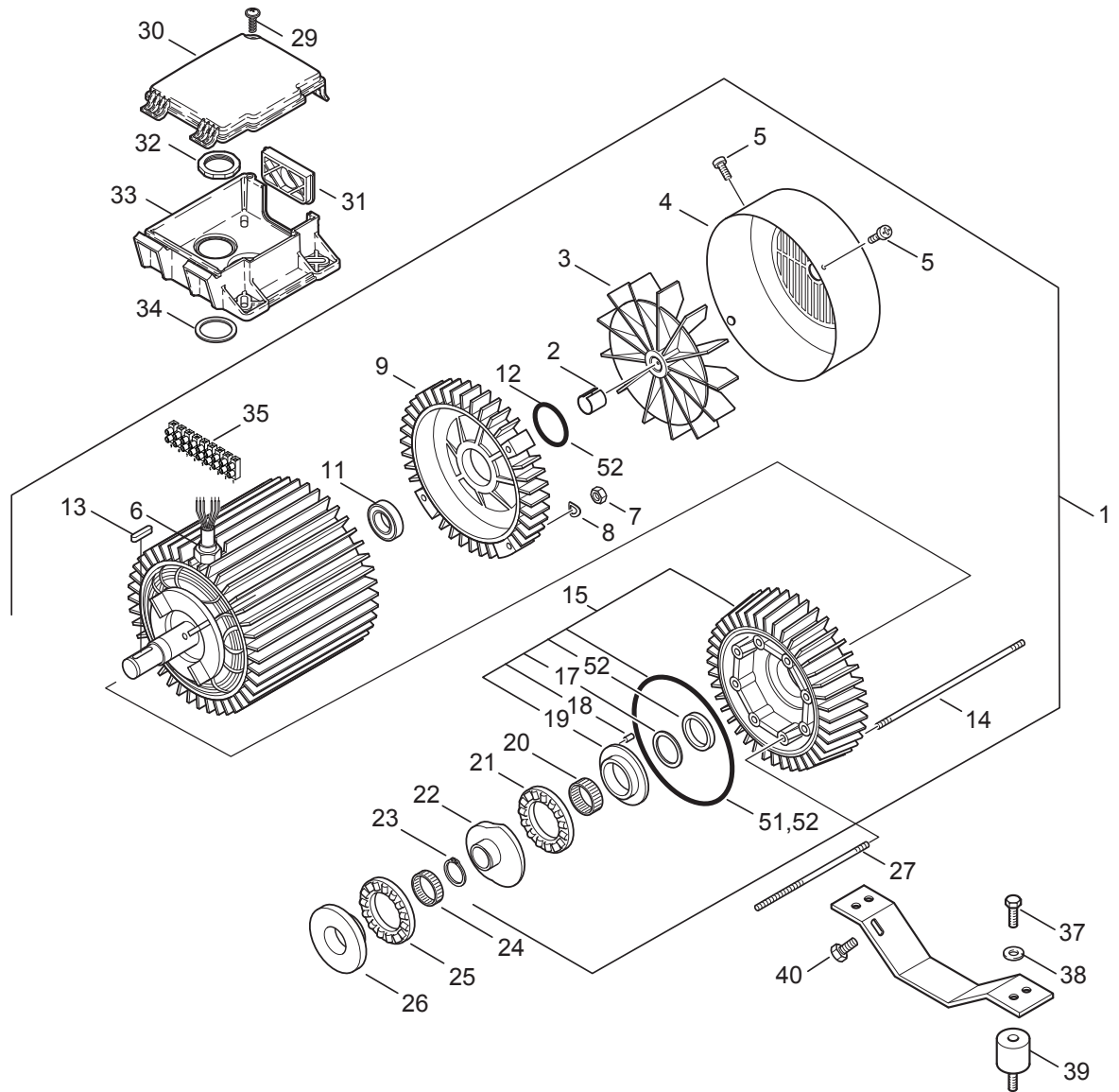




Pos.	Vare-nr	Antal	Beskrivelse	Notes
01	7350195	1	Vandtank	
02	107302155	1	Låg	
03	16860	1	Skruer 4x12	
04	5172	2	RUBBER BUSH	
05	63349	1	Svømmerventil	
06	62878	1	Gummimembran	
07	34225	1	Filter	
08	34240	1	Afdækning	[1]
09	62877	1	Svømmer	
10	101609358	1	HOSE TAIL 16X3/4 INCH	
11	15587	1	Pakning	
12	1810191	4	Spændebånd 13-27 A4 (SS)	
13	107318087	1	Slange 5/8 2M	
14	101609356	1	NUT 1/2IN	
15	107307364	1	PLUG D36X18 WATERTANK	
16	101609359	1	HOSE TAIL 1/2 INCH.X16MM	
17	107318088	1	HIGH PRESSURE HOSE DN8	

## Part Notes:

[1] - PLEASE CONTACT CARWASH DIRECTLY

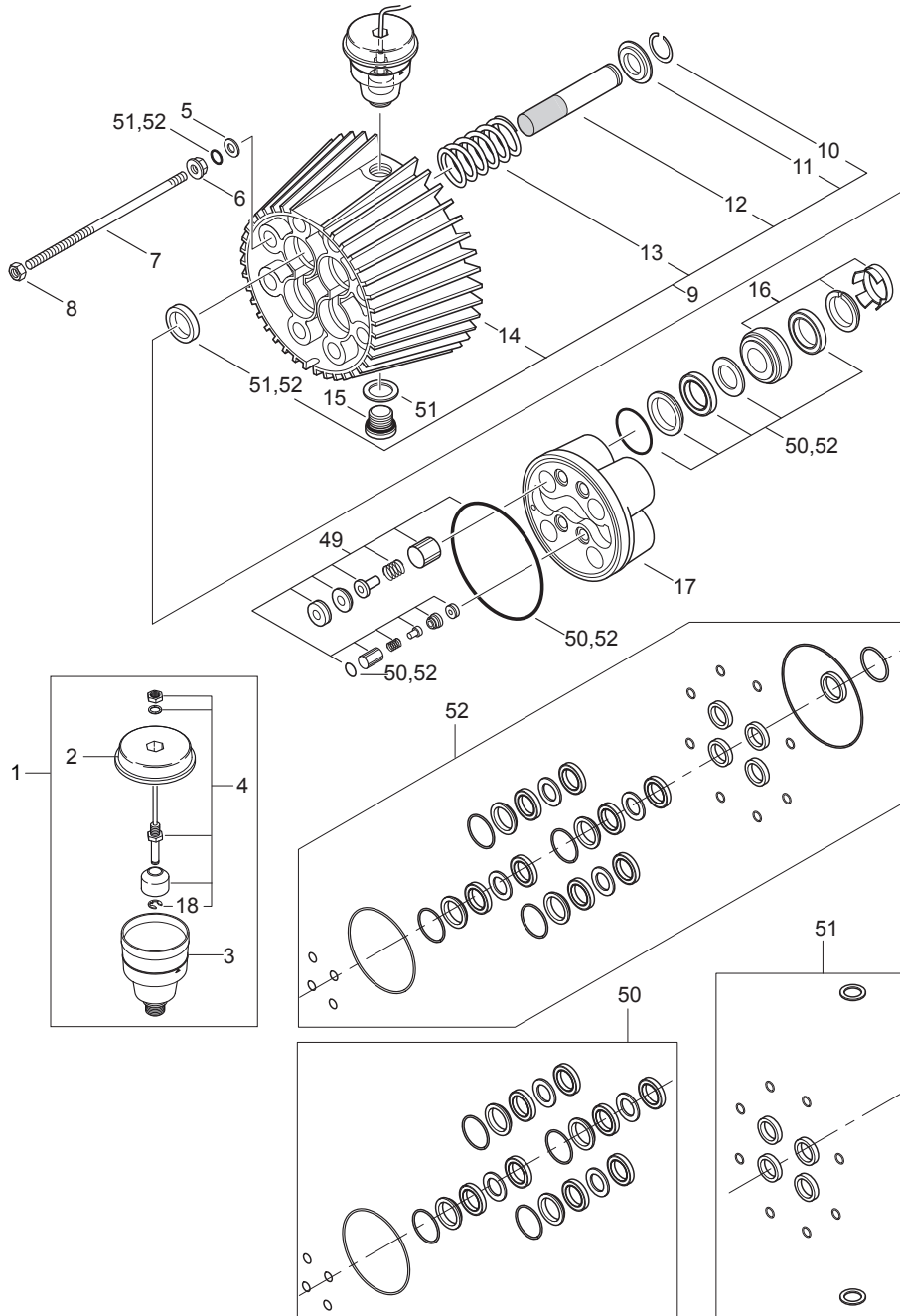


Pos.	Vare-nr	Antal	Beskrivelse	Notes
1	107310070	1	MOTOR 6.5KW 400-415.230/3/50	[1]
1	107310072	1	MOTOR 5.5KW 400-415.230/3/50	[2]
1	107310071	1	MOTOR 5.5KW 400-415.230/3/50	[3]
2	1802503	1	Låsering Ø25 x Ø25	
3	107142275	1	FAN AND RETAINING RING	[4]
3	6100607	1	Ventilatorvinge m. lås	[5]
4	107142276	1	COVER FOR FAN	[4]
4	6100609	1	Ventilatorskærm	[6]
5	101814693	4	SCREW M4X 8 EE DIN 7500 A2	
7	2758	4	Møtrik M8	
8	1801182	4	Fjederskive M8	
9	6100611	1	N-Lejedæksel	[7]
9	107140617	1	Rear Bearing Cover	[8]
9	107142277	1	REAR BEARING COVER	[4]
11	3200623	1	Leje	
12	107318244	1	O-RING 51.6X2.4 NBR70	
13	3200672	1	Feder	
14	6100711	8	Stagbolt F. Statorhus	
14	6100712	8	Stagbolt F. Statorhus	[9]
15	6101750	1	D-Lejedæksel Komp. 03	[10]
15	107140615	1	Front Bearing Cover Compl Ete	[11]
17	6100995	1	Skive	
18	6100996	1	Styrestift	
19	107120703	1	Lejeskive	
20	3200656	1	Nåleleje Ina K 40X46X17	
21	3200615	1	Rulleleje	
22	107120708	1	Skråskive 4	[12]
22	107120716	1	Skråskive 12	[13]
22	107120714	1	Skråskive 10	[14]
22	107120707	1	Skråskive 3	[15]
23	1802511	1	Seegerring U 28 X 1,5	
24	3200664	1	Nåleleje	
25	3200615	1	Rulleleje	
26	107120704	1	Lejeskive	
27	6301368	8	Stagbolt	
29	10028	1	Skruer	
30	301000782	1	Dæksel	
31	17106	1	Indsats	
32	20862	1	Møtrik	
33	301000781	1	Elkasse	
34	103004340	1	Pakning	
35	101117839	1	Terminal Plug And Termina L Pins	
37	1803089	4	SCREW INSEX M8X12	
38	1800317	4	Underlagsskive Encore 26/28/30	
39	107318091	4	VIBRATION DAMPER M8	
40	1802651	2	Taptite Skrue M10X25	
51	1119820	1	Rep. sæt olietætning 03	
52	1119570	1	Rep. sæt pakninger C3	

## Part Notes:

- [1] - 7-58D / 170/1200D  
7-58E / 170/1200E  
7-58G / 170/1200G7-66D (DISC no. 12)TSB-PPW-2011-013 C3 Pump information
- [2] - 7-38E / 135/875E (DISC no. 3)
- [3] - 7-52GH / 150/1100GH(DISC no. 10)
- [4] - RF – has Nilfisk letter on the motor type plate
- [5] - EME with 2 holes EME – has EME letter on the motor type plate
- [6] - EME – has EME letter on the motor type plate

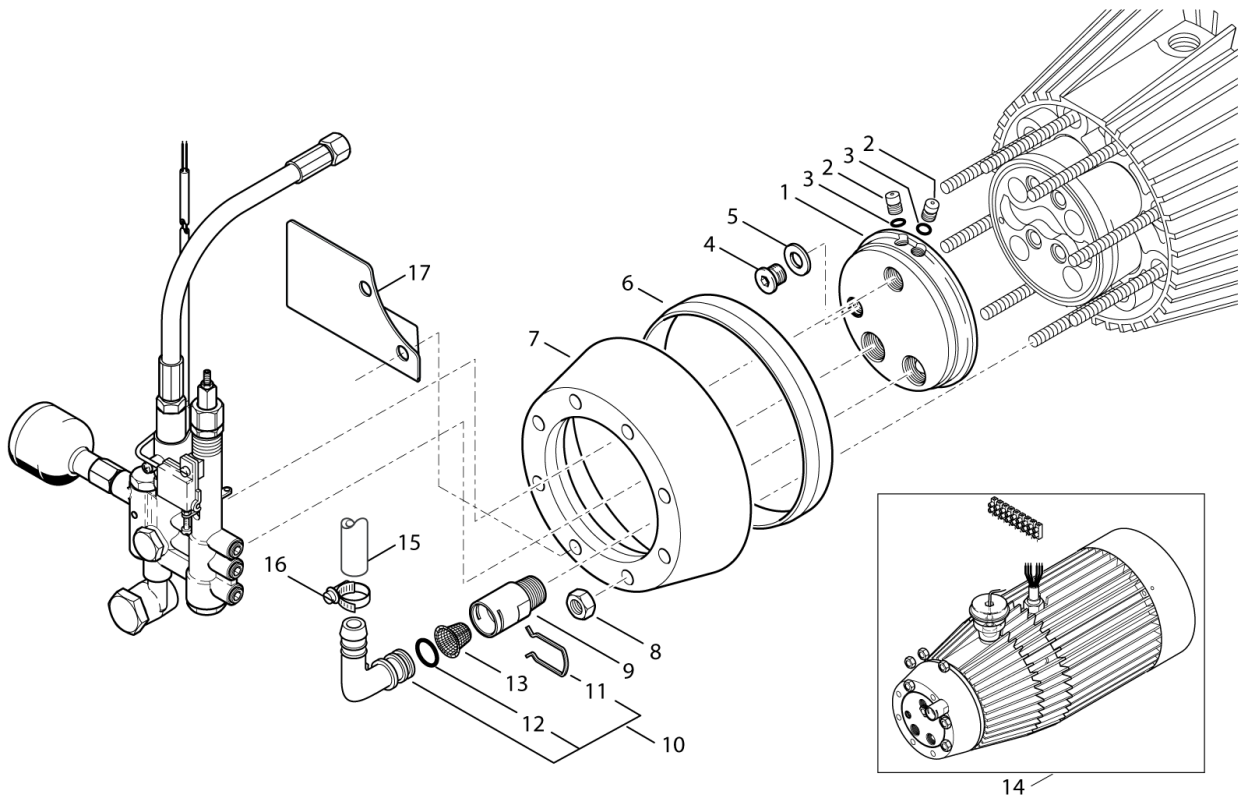
- [7] - Up to week 32 2009 (ATB)
- [8] - From week 32 2009 EME – has EME letter on the motor type plate
- [9] - STOCK COVERS GUARANTEE
- [10] - Up to week 32 2009 (ATB) - TSB-PPW-2011-013 C3 Pump informationTSB-PPW-2011-013 C3 Pump information
- [11] - From week 32 2009 RF – has Nilfisk letter on the motor type plateTSB-PPW-2011-013 C3 Pump information
- [12] - 5,5kW 440,220/3/60
- [13] - 6,5kW 400,230/3/50
- [14] - 5,5kW-1030 400,230/3/50
- [15] - 5,5kW-810 400,230/3/50



Pos.	Vare-nr	Antal	Beskrivelse	Notes
0-	5218433	1	Pumpeolie ISO 150 (1 liter)	[1]
1	301000616	1	Level Indicator, Pump Oil	
2	301000615	1	Dæksel	
3	301000614	1	Oliebeholder	
4	301001196	1	Float Switch	
5	6100718	8	Skive F. Stagbolt	
6	6100719	8	Trykring	
7	6301368	8	Stagbolt	
8	1800465	8	Møtrik M10	
9	6300071	1	Cylinderblok Komp.	
10	1802529	4	Seeger Springring	
11	6100666	4	Ring til returfjeder	
12	6301166	4	Trykstempel keramik C3	
13	102602517	4	Returfjeder C3K	
14	6100610	1	Cylinderblok	
15	6150400	1	Bundprop	
16	101119850	4	Rep.Sæt Trykring/Back-Up	
17	107120701	1	Cylinder	
18	107142593	1	HOLDING WASHER PE	[2]
49	1119195	1	Rep. sæt ventilsystem	
50	1119571	1	Rep. sæt (pakningssæt, reduceret)	[3]
51	1119820	1	Rep. sæt olietætning 03	
52	1119570	1	Rep. sæt pakninger C3	[3]

## Part Notes:

- [1] - 1,1 l - OIL TYPES\_QUANTITY for HPW\_APRIL 2017
- [2] - TSB-PPW-2016-017 Locking ring for oil level switch falling off
- [3] - TSB-PPW-2016-011 Rep kit 1119571 and 1119570 potential have wrong O-ring in kit  
DE TSB-PPW-2016-011 Rep Kit 1119571 und 1119570 beinhalten möglicherweise einen falschen O-Ring

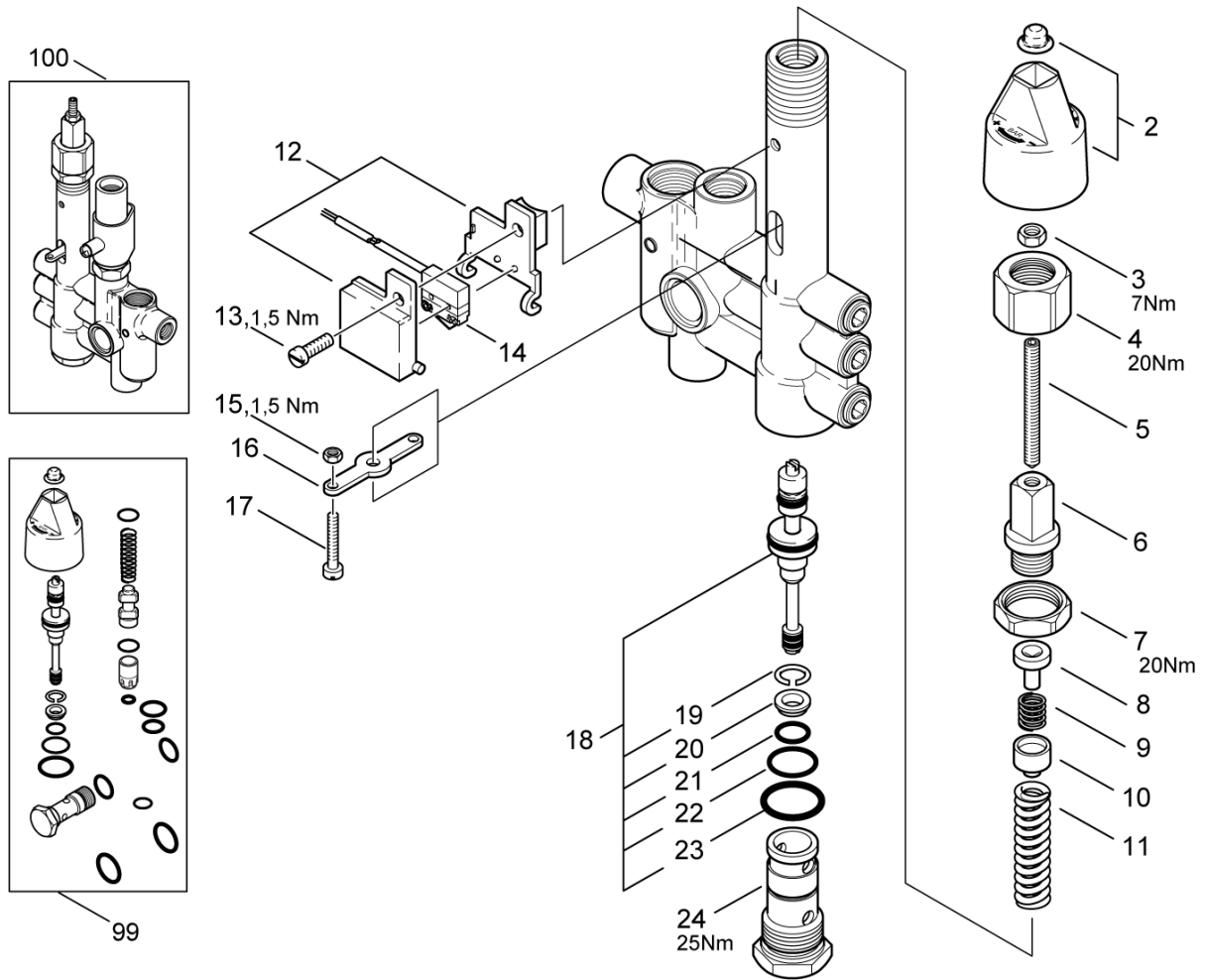




Pos.	Vare-nr	Antal	Beskrivelse	Notes
01	107121500	1	Mellemlade	
02	107121501	2	Prop	
03	3000270	2	O-Ring 5,1X1,6 Nitril	
04	6180660	1	"Stik 1/8"" "	
05	3001740	1	O-Ring 7,66X1,78 Nitril	
06	6301392	1	Ring F. Motorpumpeenhed	
07	6100602	1	Spændering	
08	1800465	8	Møtrik M10	
09	107121502	1	Tilgangsstuds	
10	1119210	1	Rep. sæt tilgangsvinkel	
11	6180661	1	SPRING LOCK FOR BY-PASS VALVE	
12	3004226	1	O-Ring D13X3	
13	107312039	1	Filter	
14	107310010	1	Motorpumpeenhed	[1]
14	107310001	1	Motor Pump Unit	[2]
14	107310000	1	Motorpumpeenhed	[3]
14	107310002	1	MOTOR PUMP UNIT SOLAR	[4]
15	107318087	1	Slange 5/8 2M	
16	8298	1	Spændebånd	
17	107318139	1	BRACKET FOR C3	

Part Notes:

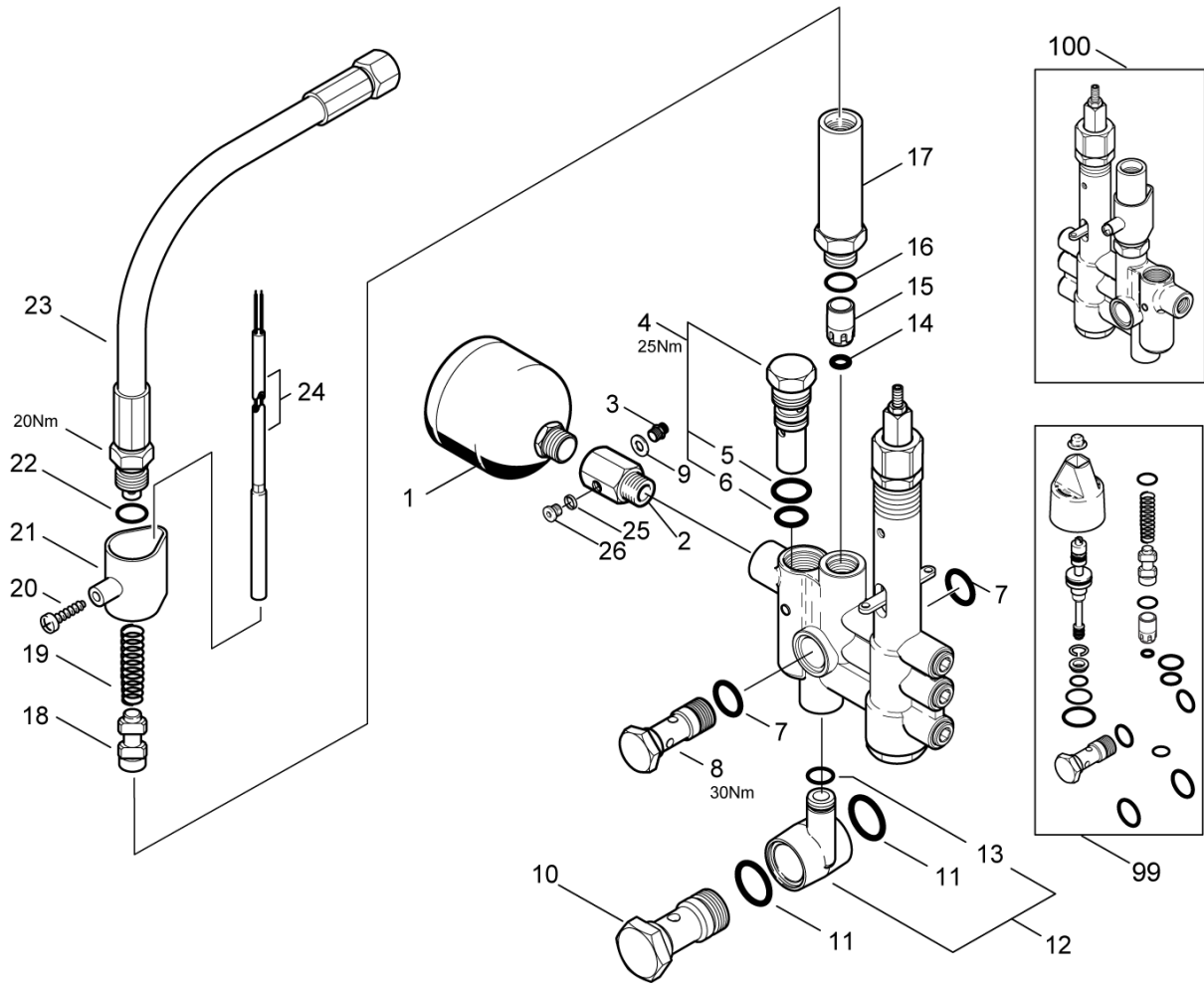
- [1] - for 7-63D
- [2] - for 7-51D, 7-51GH and 7-52GH
- [3] - for 7-57 and 7-58D, 7-58E, 7-58G
- [4] - for 7-37E and 7-38E



Pos.	Vare-nr	Antal	Beskrivelse	Notes
02	62397	1	Drejeknap	[1]
03	3136	1	Møtrik	[2]
04	62710	1	Omløber	[2]
05	62711	1	Gevindstift	[2]
06	62712	1	Justerskrue	[2]
07	62696	1	Møtrik	[2]
08	62695	1	Fjederstyr	[2]
09	62713	1	Fjeder	[2]
10	62694	1	Sæde	[2]
100	301000903	1	Omløbsventil Kompl. 3Ph	[3]
11	40972	1	Fjeder	[2]
12	62401	1	Hus til microswitch	
13	3349	1	Skruer	
14	301000731	1	Mikrokontakt	
15	2759	1	Møtrik M8	
16	62717	1	Kontaktbeslag	[2]
17	101117739	1	SCREW HEX M4X22-8.8 A2K DIN912	
18	64314	1	Reparationskit ventilstempel	[4]
19	909100001	1	Låsering	[4]
20	62708	1	Ventilsæde	[4]
21	49461	1	O-Ring	[4]
22	9523	1	O-Ring	[4]
23	32091	1	O-Ring	[4]
24	64301	1	Banjo Bolt	[2]
99	301001195	1	Rep. Sæt Omløbsventil	[5]
99	63056	1	Rep.Sæt Omløbsventil	[6]

## Part Notes:

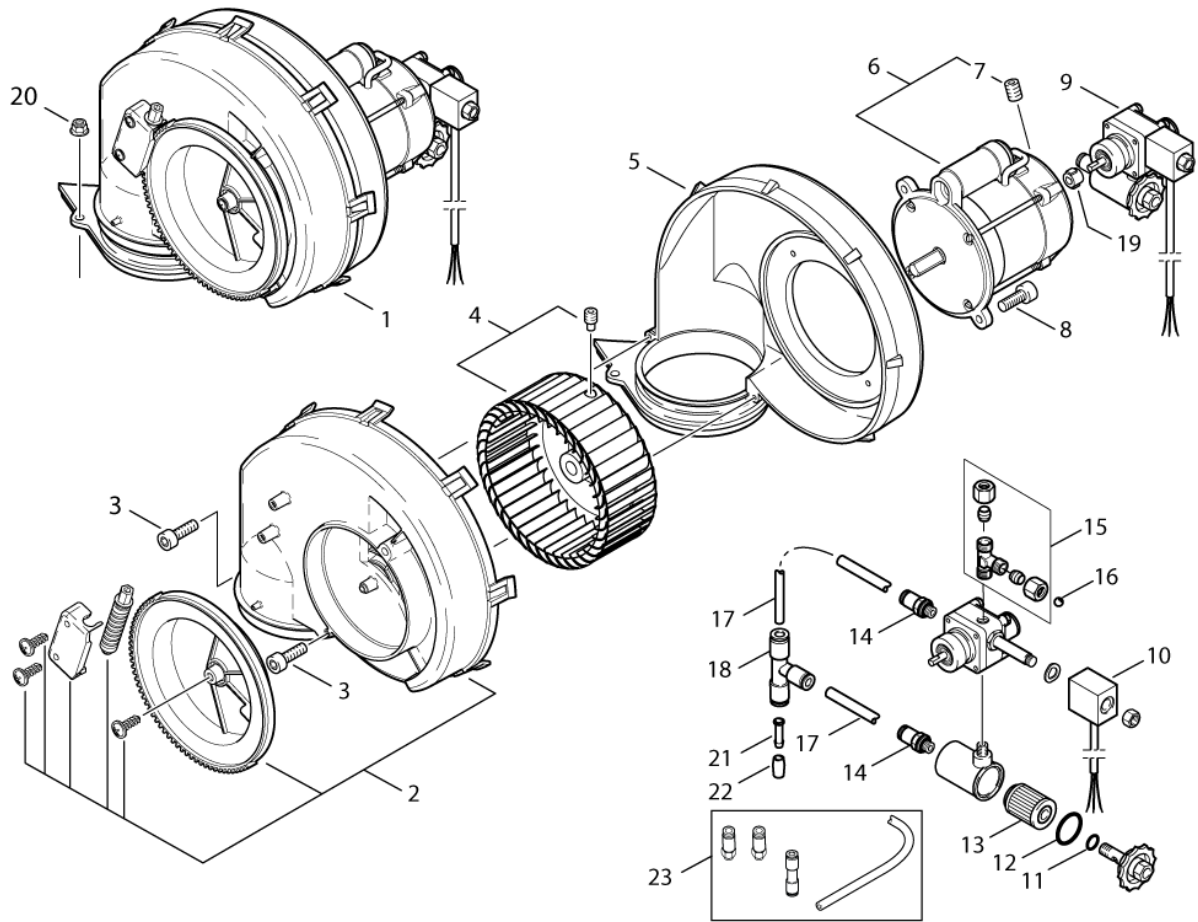
- [1] - part of pos. 99
- [2] - part of pos. 100
- [3] - 250BAR
- [4] - part of pos. 99 and 100
- [5] - 51, 57
- [6] - 37



Pos.	Vare-nr	Antal	Beskrivelse	Notes
01	63090	1	Trykudligner	
02	107312001	1	Socket	
03	1821	1	Fitting	
04	301000911	1	Sikkerhedsventil	[1]
04	62730	1	Sikkerhedsventil 200Bar	[2]
05	16443	1	O-ring	[3]
06	62706	1	O-Ring	[3]
07	16443	2	O-ring	[3]
08	62697	1	Banjo Bolt	[3]
09	101814735	1	"Tætn.Skive 1/8""Pp45C Bond "	
10	107121503	1	Banjo Bolt, Inlet	
100	301000903	1	Omløbsventil Kompl. 3Ph	[4]
11	24347	2	O-ring	[5]
12	63058	1	Tilslutningsstykke	
13	13739	1	O-ring	[3]
14	56519	1	O-Ring	[6]
15	301000905	1	Stempel	[6]
16	16998	1	O-Ring	[6]
17	62722	1	Hus	[7]
18	63538	1	Kontakt Stempel	[8]
18	57571	1	Kontaktstempel	[9]
19	6231	1	Fjeder	[3]
20	10028	1	Skrue	[10]
21	62399	1	Holder	[11]
22	62706	1	O-Ring	[3]
23	101406030	1	High Pressure Hose	
24	301002458	1	Reed Contact	
25	101814735	1	"Tætn.Skive 1/8""Pp45C Bond "	
26	4443	1	PLUG	
99	63056	1	Rep.Sæt Omløbsventil	[2]
99	301001195	1	Rep. Sæt Omløbsventil	[12]

## Part Notes:

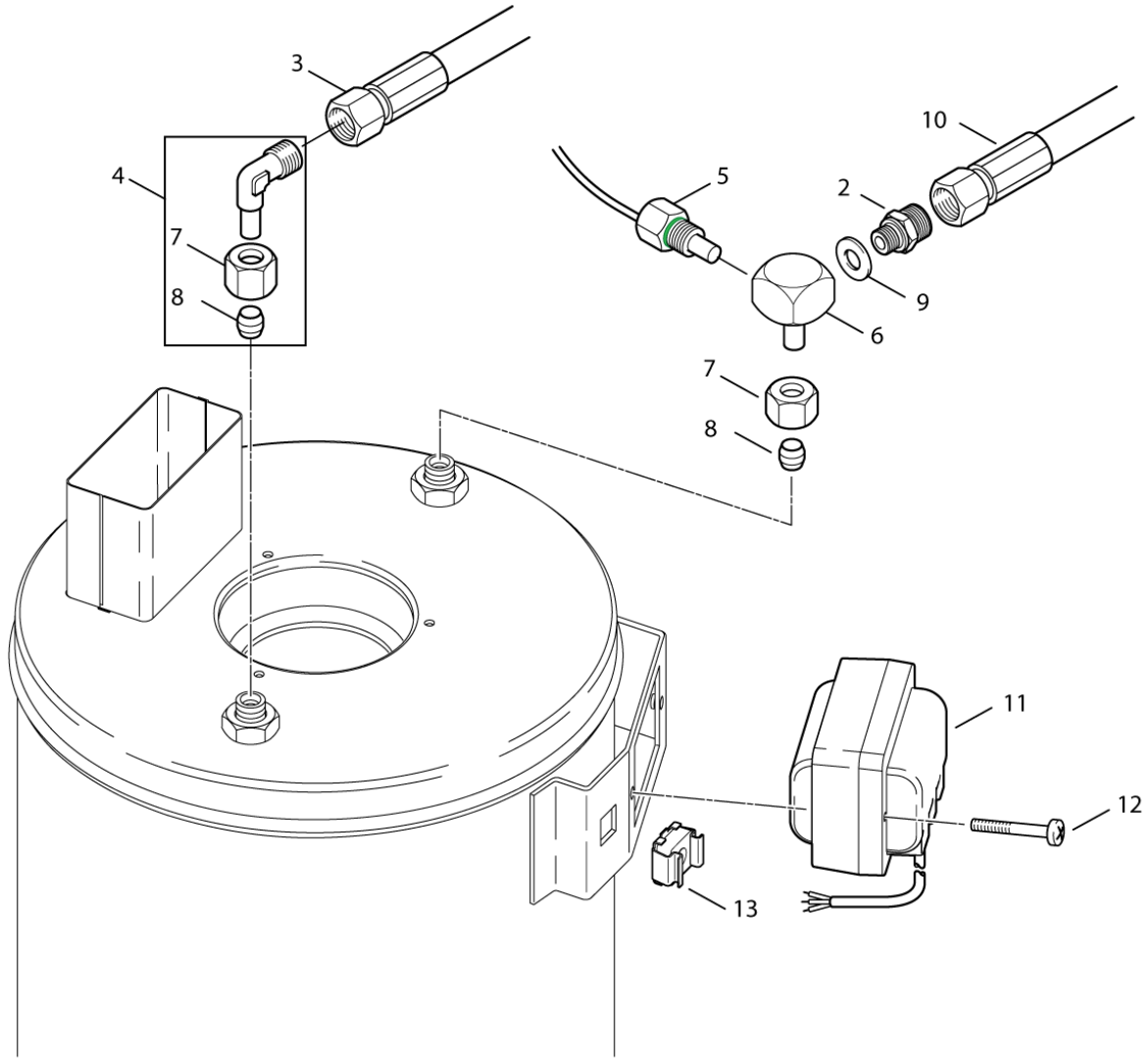
- [1] - 51,57
- [2] - 37
- [3] - part of pos. 99
- [4] - 250BAR
- [5] - part of pos. 99  
PLEASE CONTACT CARWASH DIRECTLY
- [6] - part of pos. 99 and 100
- [7] - part of pos. 100
- [8] - part of pos. 99 for 51,57
- [9] - part of pos. 99 for 37
- [10] - part of pos 100
- [11] - part of pos.100
- [12] - 51, 57



Pos.	Vare-nr	Antal	Beskrivelse	Notes
01	301000908	1	Kedelblæser Hus Komplet	
02	301000852	1	Dælsel For Kedelblæserhus	
03	32535	2	SCREW M5X16	
04	301000889	1	Kedelblæsehjul	
05	301000495	1	Kedelblæse Hus	
06	106408257	1	MOTOR BURNER - 0.23KW/230V/50HZ/1PH	
07	30180	3	HEADLESS SCREW M5X10 DIN 914 ST/ZN	
08	4697	2	SCREW M6X16	
09	101117988	1	Oil Pump Sp55B 431 Kit	[1]
09	101117989	1	OIL PUMP SP55B 4316M KEROSENE	[2]
10	101117987	1	Magnetventil 24V	
11	9868	1	O-ring 10.0X2.5	
12	40907	1	O-ring	
13	1756	1	Filterpatron	
14	29599	2	Forskruning - Lige	
15	101118040	1	Rep.kit, oliepumpe	
16	1804640	1	Rustfri Kugle Ø6	
17	106408239	2	TUBE D6 X 1 MEWA DIN 73378 - 5 METERS	
18	28429	1	T-PIECE D6	
19	1226	1	Kobling	
20	12496	1	Møtrik M6	
21	17519	1	HOSE LINER	
22	3811264	1	PROTECTIVE CAP	
23	101118040	1	Rep.kit, oliepumpe	[3]

## Part Notes:

- [1] - \*EU\*BE\*NO\*
- [2] - \*GB\*US\*JP\*KR\*  
Kerosene
- [3] - Can replace pos. 15

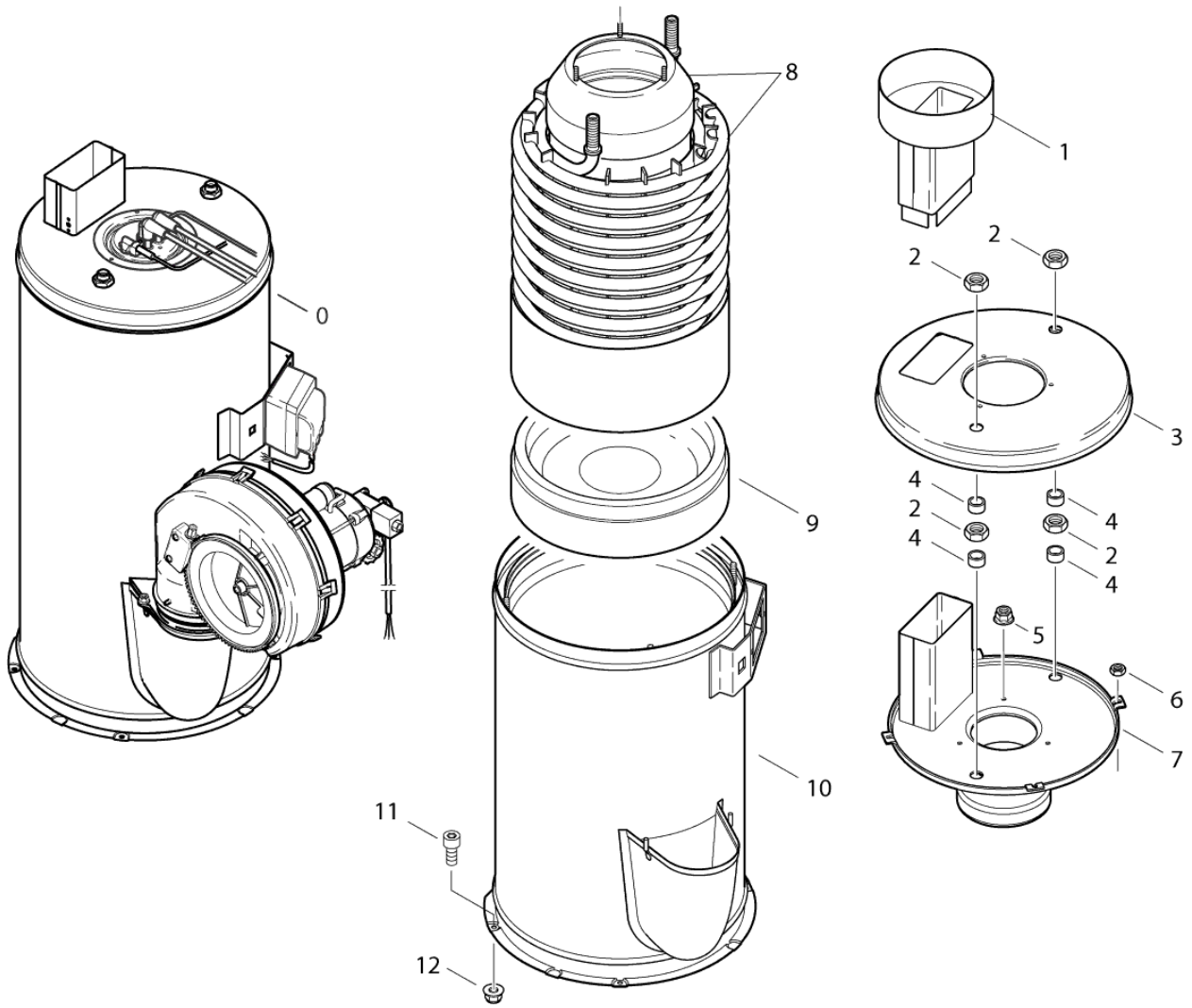




Pos.	Vare-nr	Antal	Beskrivelse	Notes
2	3938	1	Forskruning	
3	301001755	1	Slange	[1]
3	107318088	1	HIGH PRESSURE HOSE DN8	
4	101118094	1	COUPLING KIT 90D ISO 8434 M18X1.5 THREAD	
5	6420251	1	Føler F.Temp.Reg.+Overk'.	
6	6200360	1	Spiralafgangsvinkel	
7	1081	1	Tilslutningsmøtrik, Galv.	
8	1080	1	Skæring, Galv.	[2]
9	1801075	1	Tætningsskive 3/8"	
10	107318090	1	HIGH PRESSURE HOSE 3/8	
11	301000879	1	Tændingstransformator	
12	1809821	2	Skrue M5 x 50 DIN 7985	
13	909100152	1	Møtrik	

## Part Notes:

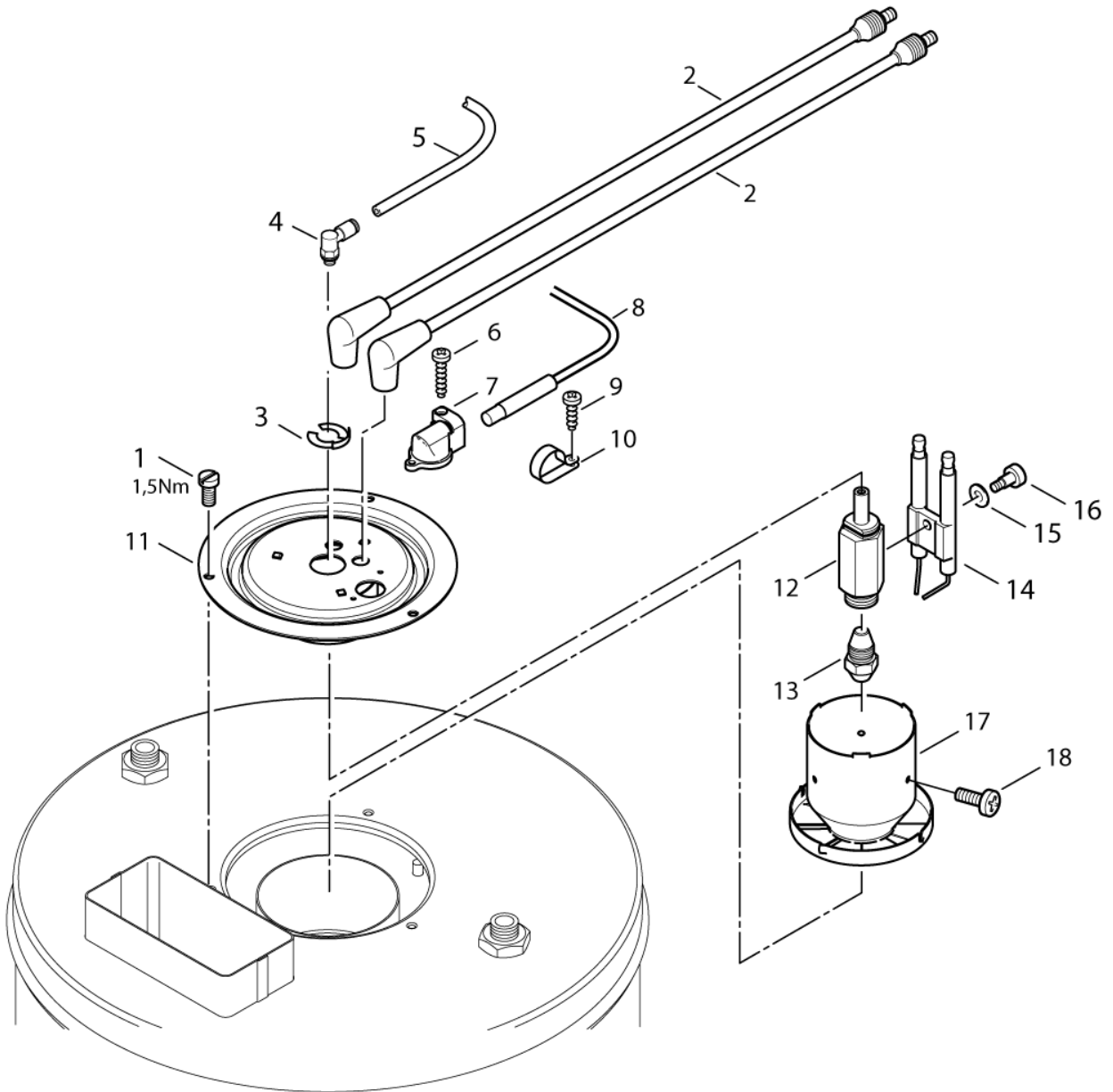
- [1] - 8-103  
 [2] - PLEASE CONTACT CARWASH DIRECTLY



Pos.	Vare-nr	Antal	Beskrivelse	Notes
0	107144780	1	HEAT EXCHANGER B7 SS, MH	[1]
00	107318177	1	BOILER COMPLETE NEPTUNE 7 KIT	[2]
1	301001089	1	Skorstens-adapter Ø150	[3]
2	7012	4	Møtrik	
3	301000534	1	Kedellåg Ydre	
4	301000582	4	BUSHING Ø22X1.5X24	
5	12496	3	Møtrik M6	
6	12263	4	HEXAGON NUT M6	
7	301001840	1	BOILER COVER INNER SOLAR	[4]
7	301001843	1	BOILER COVER INNER SOLAR	[5]
8	301001099	1	Spiral NEPTUNE 7	[5]
8	301001342	1	"Coil Stainless ""NEPTUNE 7+8""	[5]
8	301001098	1	Spiral NEPTUNE 5	[4]
8	107143301	1	COIL B5 SS, MH	[4]
9	301000916	1	Isolation	
10	301000968	1	BOILER JACKET COMPLETE N5	[4]
10	301000969	1	BOILER JACKET COMPLETE N7	[5]
11	3913	4	Skrue M6X12	
12	12496	4	Møtrik M6	

## Part Notes:

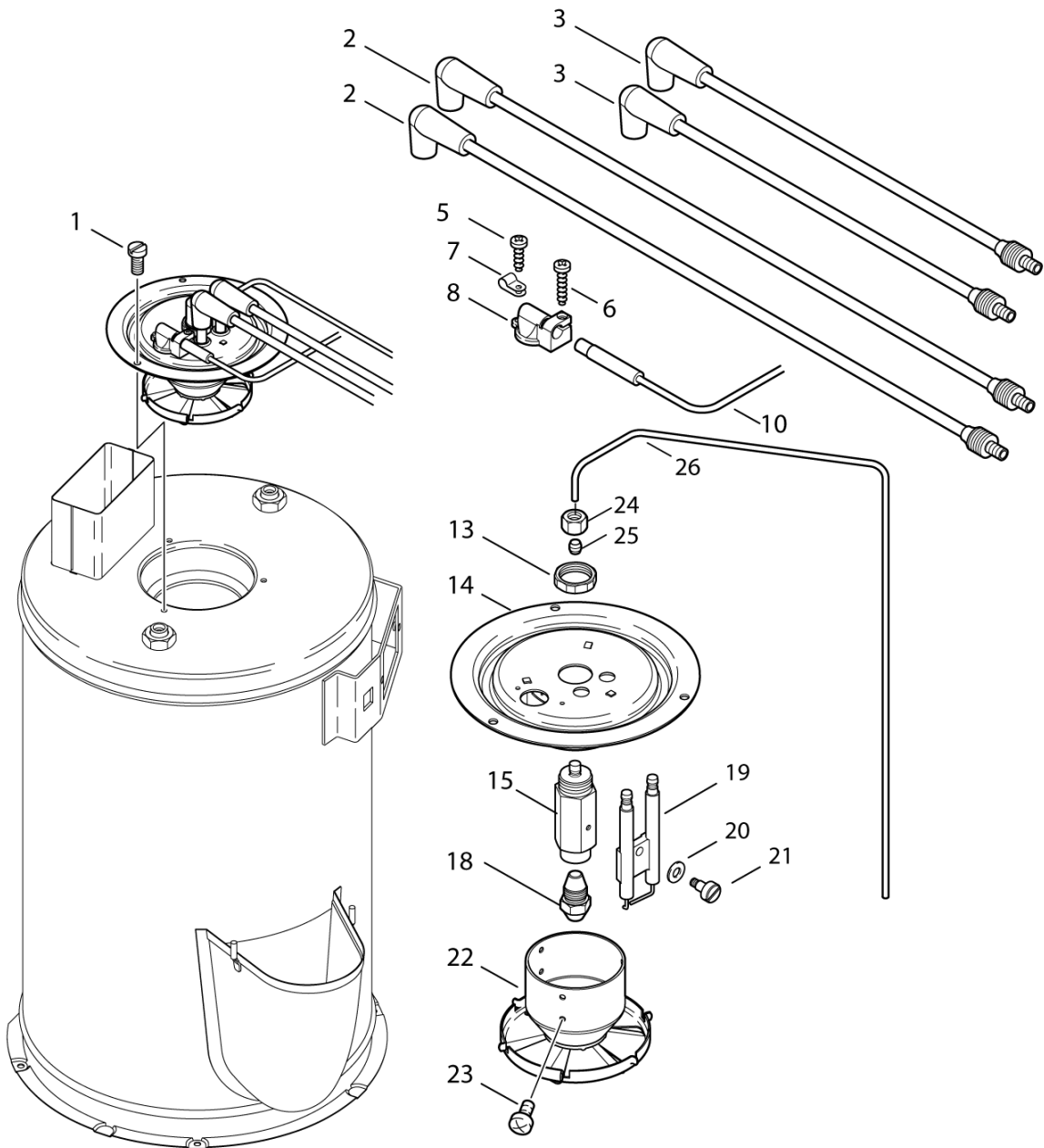
- [1] - SH SOLAR 7P-170/1200 DSS
- [2] - 7-58D, 8-103D
- [3] - Accessory
- [4] - 5
- [5] - 7+8



Pos.	Vare-nr	Antal	Beskrivelse	Notes
1	4820	3	Skrue	
2	301000858	1	Tændingskabel	[1]
2	301000859	1	Tændingskabel	[2]
3	101117876	1	Circlips	
4	101117913	1	Elbow 4/M5 Push-In	
5	909100141	1	Slange	
6	5606	1	Metal Skrue	
7	301000934	1	Holder Flammeføler	
8	301000729	1	Flammeføler	
9	4036	2	Skrue 2,9X9,5	
10	301001069	1	Holder Temperaturføler	
11	301000606	1	Dæksel	
12	101117915	1	Oil Nozzle Holder	
13	301001068	1	Oliedyse	[3]
13	101118013	1	Oliedyse 2.25 Gal/H 60	[2]
14	301150009	1	Tændelegtrode	
15	909100144	1	Fjederskive	
16	909100143	1	Skrue	
17	301001834	1	Air Distributor Ø94X59,2	[3]
17	301001833	1	Lufffordeler	[2]
18	51848	3	Skrue	

Part Notes:

- [1] - 7-25
- [2] - 7 not 7-25
- [3] - 7-25 and 5



Pos.	Vare-nr	Antal	Beskrivelse	Notes
1	4820	3	Skruer	
2	301000858	2	Tændingskabel	[1]
3	301000859	2	Tændingskabel	[2]
5	4036	1	Skruer 2,9X9,5	
6	5606	1	Metal Skruer	
7	301001069	1	Holder Temperaturføler	
8	301000934	1	Holder Flammeføler	
10	301000729	1	Flammeføler	
13	909100139	1	Møtrik	
14	301000606	1	Dæksel	
15	301001548	1	Holder For Oliedyse	
18	101118013	1	Oliedyse 2.25 Gal/H 60	[3]
18	301000886	1	Oliedyse	[4]
19	301150009	1	Tændelegtrode	
20	909100144	1	Fjederskive	
21	909100143	1	Skruer	
22	301001833	1	Lufftdeler	[5]
22	301001834	1	Air Distributor Ø94X59,2	[6]
23	51848	3	Skruer	
24	1603430	1	Omløber Ø4	
25	1603448	1	Skæring Ø4	
26	301002072	1	Pipe Bended Ø4X582	

## Part Notes:

- [1] - N5
- [2] - N7+N8
- [3] - 7+8
- [4] - 5
- [5] - FOR BOILER 7
- [6] - FOR BOILER 5

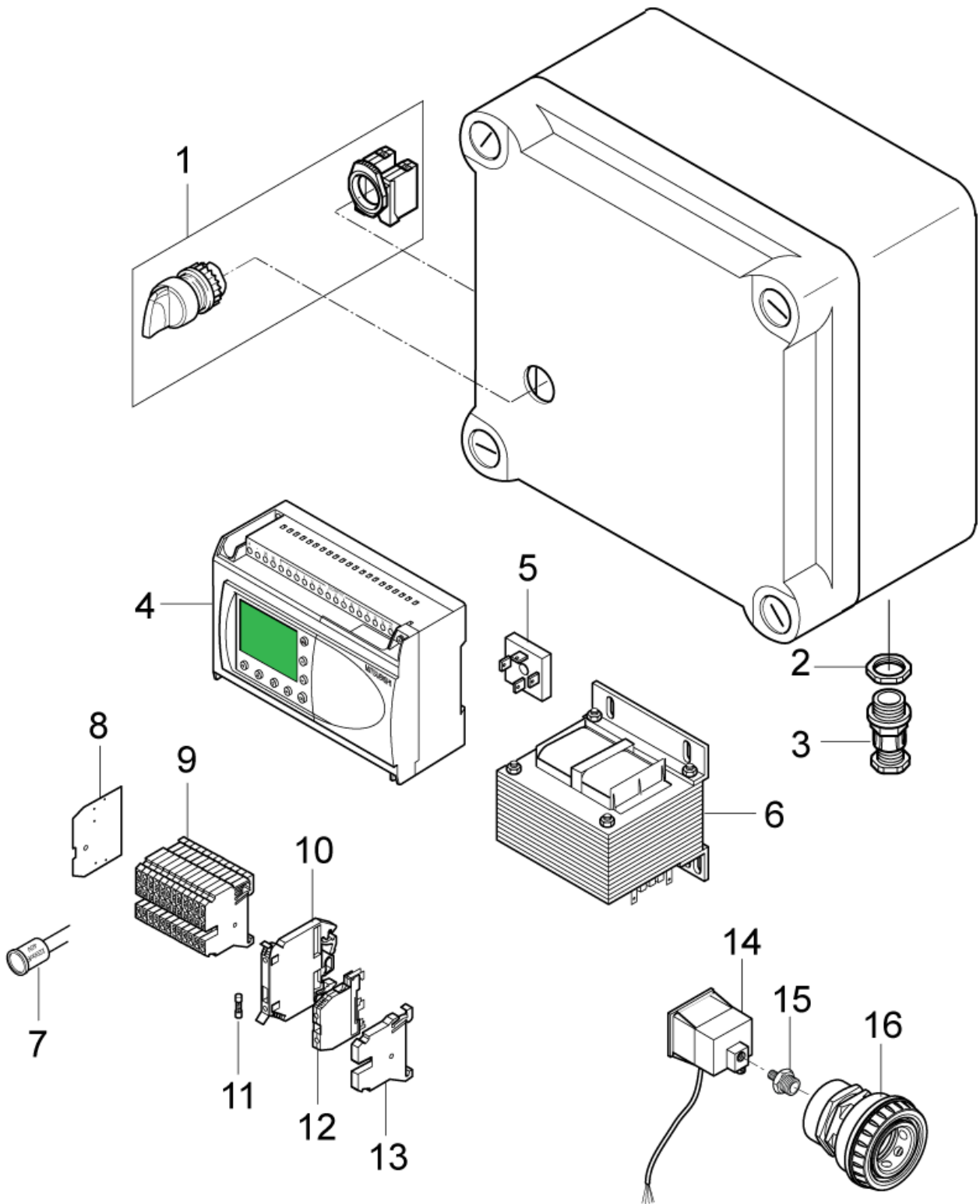




Pos.	Vare-nr	Antal	Beskrivelse	Notes
0-	106402248	1	Ekstern injektor 02 lavtryk	[1]
0-	101119756	1	Tornado Plus dyse 1/8" 1100 Orange	[2]
0-	101119743	1	Tornado Plus dyse 1/8" 0550 Neongrøn	[3]
0-	101119747	1	Tornado Plus dyse 1/8" 0680 Grå	[4]
0-	101119744	1	Tornado Plus dyse 1/8" 0600 Metalblå	[5]
0-	101119748	1	Tornado Plus dyse 1/8" 0700 Rødorange	[6]
0-	107370955	1	Frostbeskyttelse Deluxe	[7]
00	107370954	1	Frostbeskyttelse standard	[7]

## Part Notes:

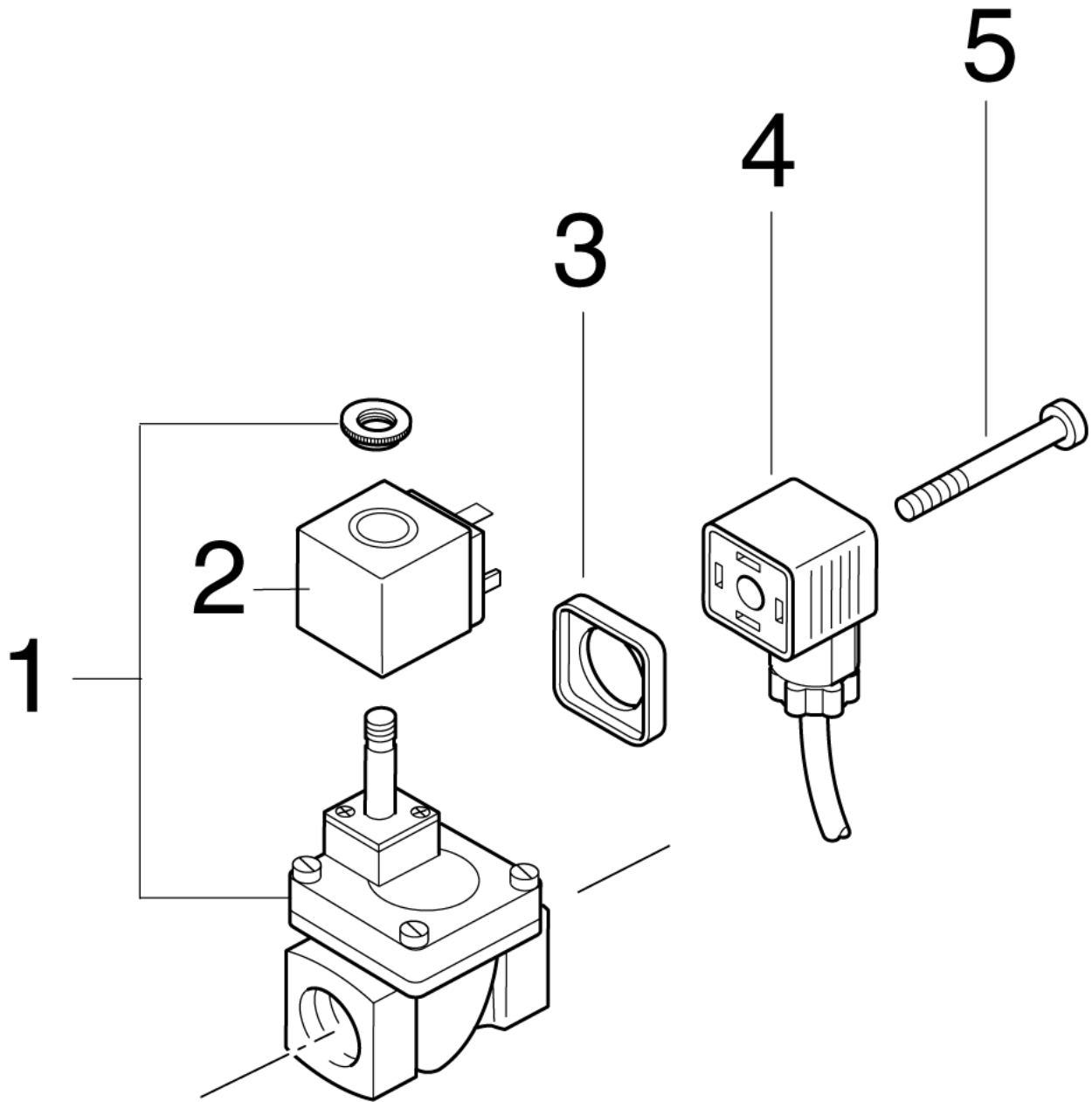
- [1] - OPTION SOLAR 8  
Injector 02, POSEIDON 8 and SOLAR 8
- [2] - 8-103D
- [3] - 5-45D
- [4] - 7-58D (3x400V)
- [5] - 5-52D
- [6] - 7-58D (3x230V)
- [7] - Frost protection - ANTI FROST



Pos.	Vare-nr	Antal	Beskrivelse	Notes
00	107370964	1	Multiple Machine Option kit	
01	107318115	1	SWITCH WITH CONTACT	
02	103821789	5	NUT M12X1.5 PA	
03	103821788	5	CABLE BUSHING	
04	106426058	1	PLC M/ALTO-PROGRAM OPTION BOX	
05	22207	1	RECTIFIER	
06	103821844	1	CONTROL TRANSFORMER 230V 24/19	
07	29467	1	CAPACITOR 2200Ø F	
08	103821921	1	END PLATE	
09	103821920	12	WIRE TERMINAL	
10	4812281	1	FUSE HOLDER	
11	15846	1	Sikring 2,5A	[1]
12	107318117	2	EARTH TERMINAL	
13	103821922	1	DIN-END STOP WO/SCREW WAGO 249-116	
14	107306160	1	Pressostat Coded For 3Ph	
15	107318118	1	Fitting	
16	106402075	1	Ergo højtrykskobling DN10 3/8" hun	

## Part Notes:

[1] - PLEASE CONTACT CARWASH DIRECTLY



# OPTION Water inlet security

SOLAR BOOSTER 7-58 / SH SOLAR 170/1200 D

2015.05.19

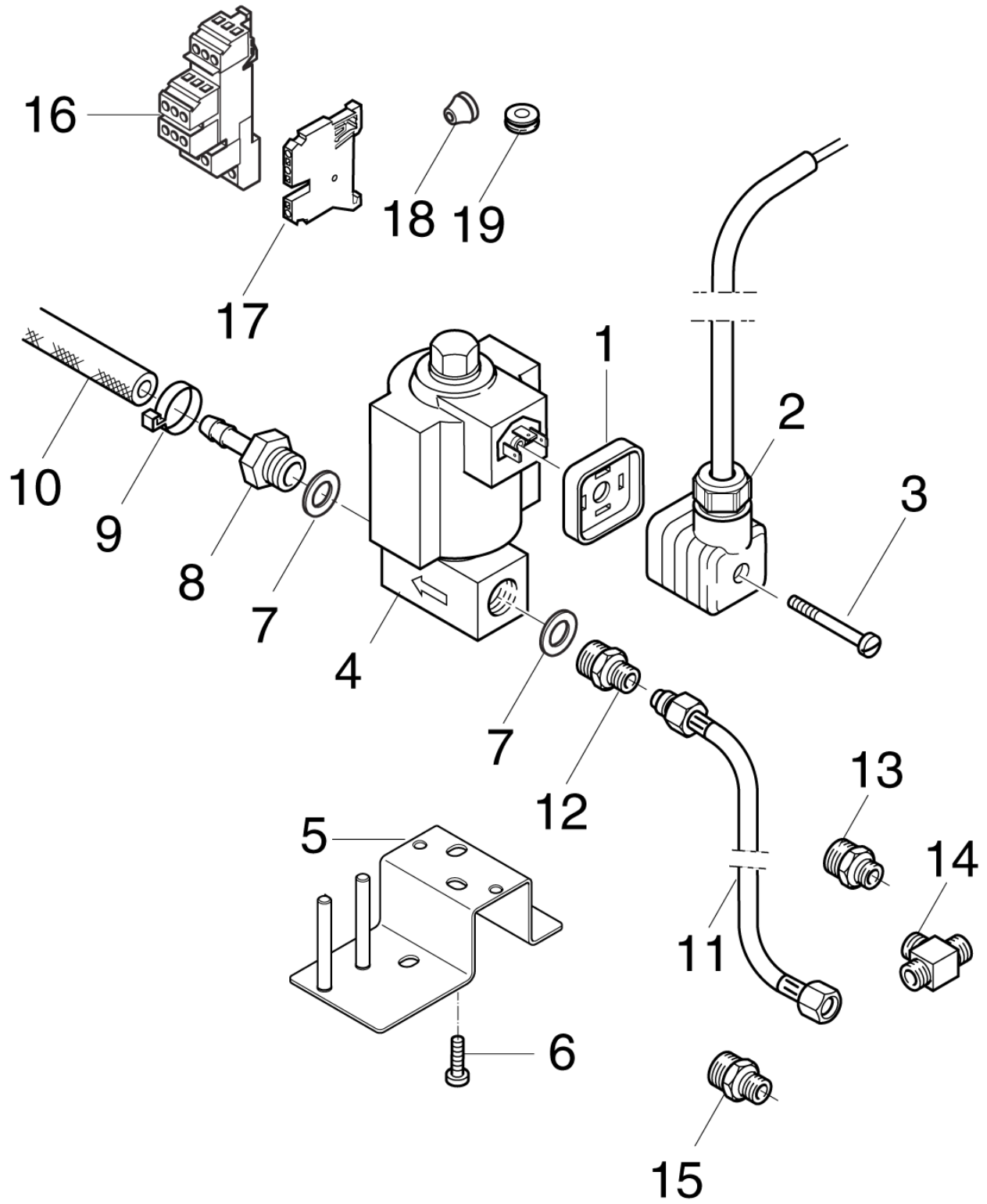
2013.04.02

---

Pos.	Vare-nr	Antal	Beskrivelse	Notes
0-	107340910	1	Sikring af tilgangsvand	
01	103821881	1	Ventil	
02	103821775	1	Coil 24Vdc 3 Watt	
03	17767	1	Pakning	[1]
04	3808144	1	AMP.SOCKET F. SOLENOID VALVE	
05	17768	1	Skrue M3X25	[1]

Part Notes:

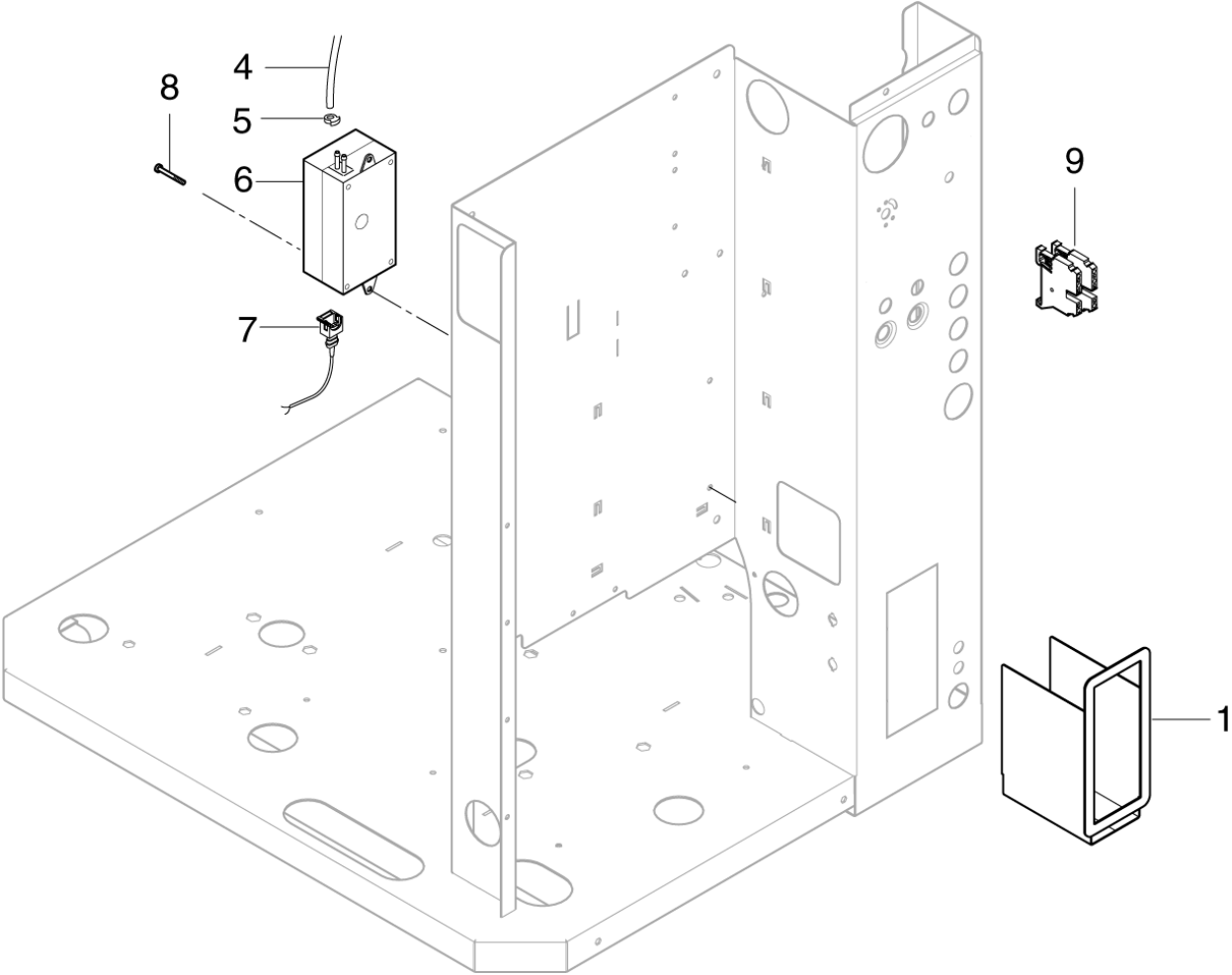
[1] - PLEASE CONTACT CARWASH DIRECTLY



Pos.	Vare-nr	Antal	Beskrivelse	Notes
0-	107370966	1	Trykafastning	
01	17767	1	Pakning	[1]
02	11693	1	Coupler 1,5 M	
03	17768	1	Skruer M3X25	[1]
04	53730	1	Magnetventil 24VDC	
05	107302160	1	SUPPORT FOR SOLENOID VALVE	
06	1804673	2	SET SCREW M6X8	
07	1803493	2	Tætningsskive f. 1/4" RG	
08	1608512	1	"Muffe 1/4""	
09	1807593	2	Spændebånd 6-16MM A2	
10	4973	1	HOSE Ø6X3	
11	107318131	1	HIGH PRESSURE HOSE DN2 1 M	
12	1600410	1	"Ligeforskrning Ø6 X 1/4"" "	
13	107312045	1	FITTING M8X6	[2]
14	107318132	1	T-CONNECTION	[2]
15	1821	1	Fitting	[3]
16	24401	1	THREE-WAY TERMINAL	
17	103821920	1	WIRE TERMINAL	
18	3803764	1	Pakdåse Tet 5-7C	
19	3001427	1	Kabelgennemføring	

## Part Notes:

- [1] - PLEASE CONTACT CARWASH DIRECTLY
- [2] - For pump 5
- [3] - For pump 7 and 8





# OPTION No-scale

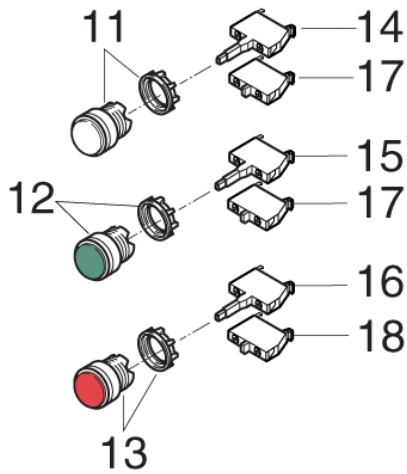
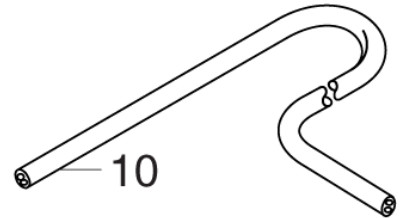
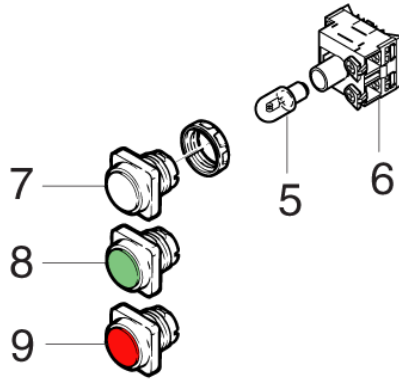
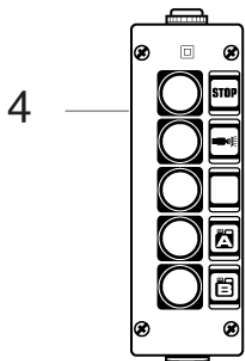
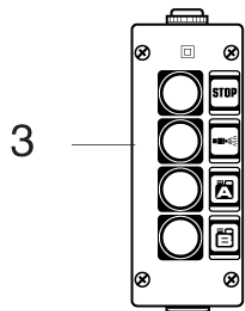
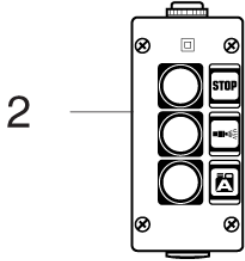
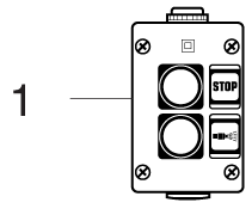
SOLAR BOOSTER 7-58 / SH SOLAR 170/1200 D

2015.05.19

2013.04.02

---

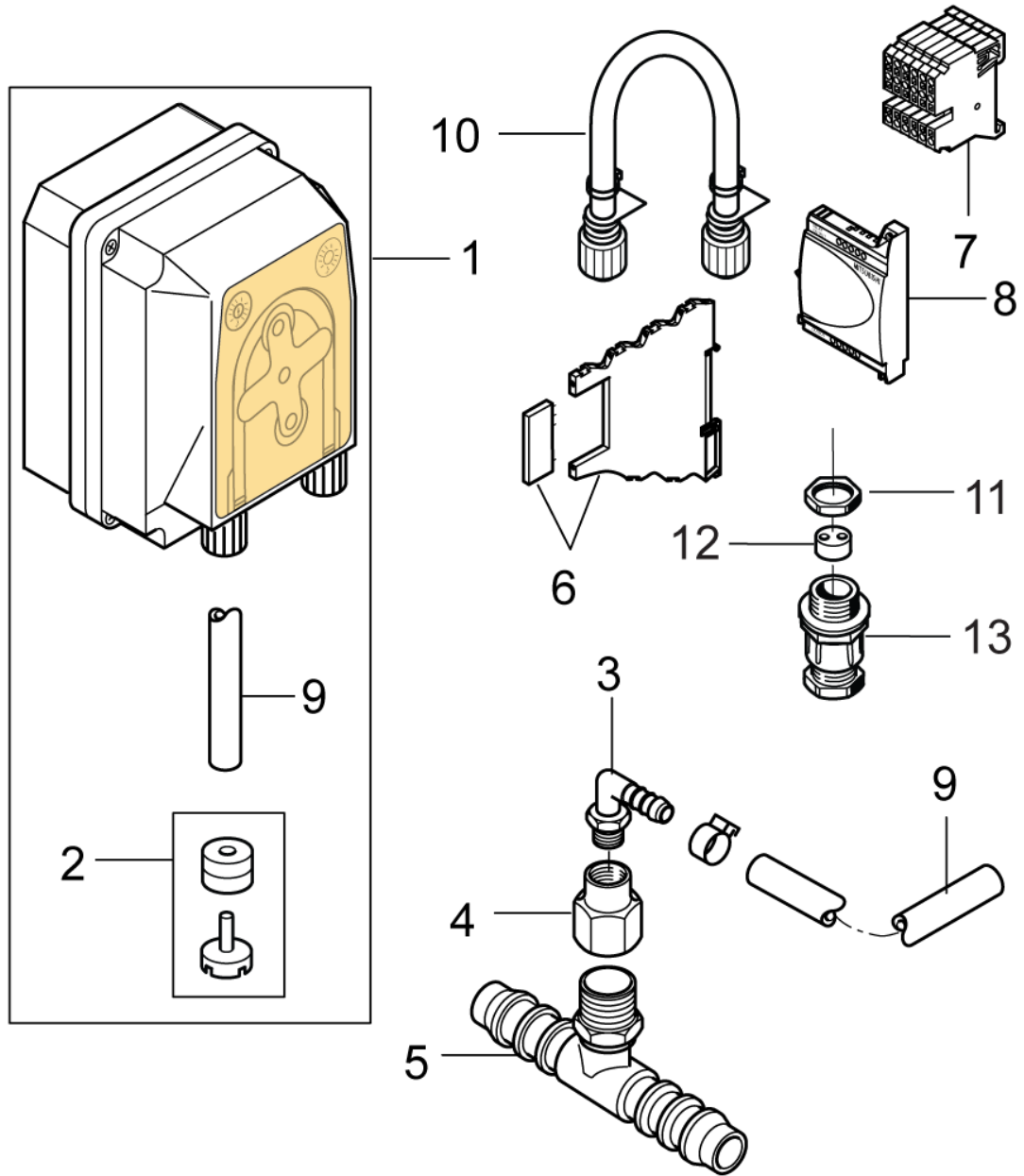
<b>Pos.</b>	<b>Vare-nr</b>	<b>Antal</b>	<b>Beskrivelse</b>	<b>Notes</b>
0-	107370958	1	No Scale kit	
01	107318104	1	BRACKET FOR NO-SCALE	
04	5226147	1	HOSE PVC 4/7.2	
05	1814151	1	HOSE CLIP	
06	3821492	1	KS-PUMP ST 15 24V	
07	4812338	1	WIRE FOR FLOW SWITCH 1200MM	
08	1800606	2	Maskinskrue M4X10	
09	103821920	2	WIRE TERMINAL	



Pos.	Vare-nr	Antal	Beskrivelse	Notes
01	107340911	1	Fjernbetjeningsbokse 2 knapper	
02	107340912	1	Fjernbetjeningsbokse 3 knapper	
03	107340913	1	Fjernbetjeningsbokse 4 knapper	
04	107340914	1	Fjernbetjeningsbokse 5 knapper	
05	41548	1	BULB 24V	[1]
06	11958	1	SHOULDER LUMINOUS BUTTON	[2]
07	29960	1	SIGNAL LIGHT ATTACHMENT White	[3]
08	29961	1	PUSH BUTTON, GREEN	[3]
09	29962	1	PUSH BUTTON, RED	[3]
10	5713	1	Kontrollkabel 9 X 0,75 Mm	[4]
10	24429	1	CABLE	[5]
10	17388	1	CONTROL CABLE	[6]
10	41518	1	CABLE PVC MEWA12X0,75	[7]
11	103822004	1	Push Button, White	[8]
12	103821823	1	Lampekontakt, Grøn	[8]
13	103821824	1	Signal Light Atteachment, Red	[8]
14	103821999	1	LAMP ELEMENT ZAL-VB4 WHITE	[8]
15	103822000	1	LAMP ELEMENT GREEN	[8]
16	103822001	1	LAMP ELEMENT RED	[8]
17	103822002	1	CONTACT ELEMENT NO 3-4	[8]
18	103822003	1	CONTACT ELEMENT NC 1-2 M/1	[8]
19	301001396	1	LABEL SIGN FOR REMOTE CON	

## Part Notes:

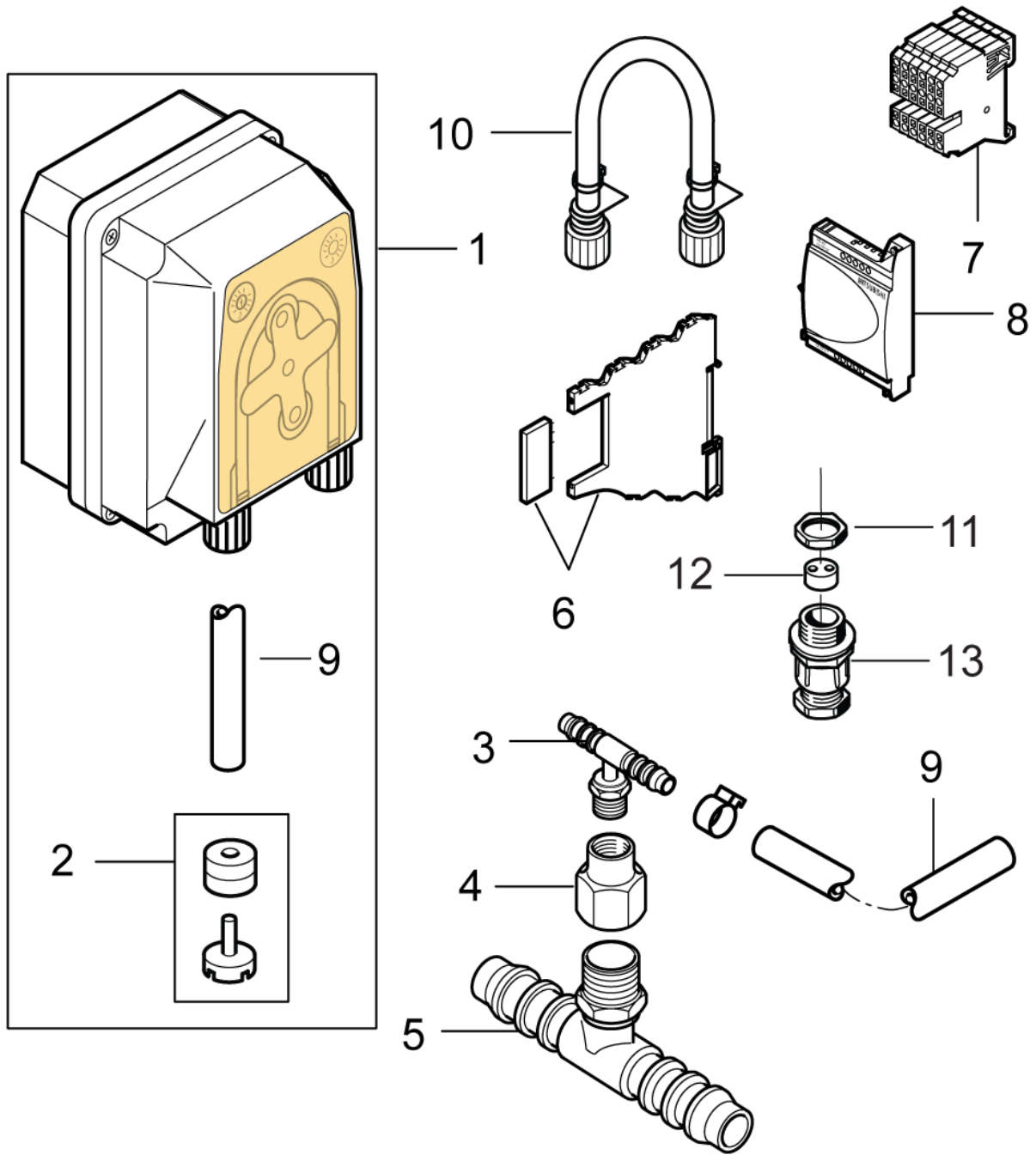
- [1] - UP TO 2004.05.11
- [2] - UP TO 2004.05.11  
See STI SPW-015
- [3] - See STI SPW-015
- [4] - 3 buttons
- [5] - 5 buttons
- [6] - 2 buttons
- [7] - 4 buttons
- [8] - FROM 2004.05.11



Pos.	Vare-nr	Antal	Beskrivelse	Notes
00	107370952	1	1 x rengøringsmiddel elektronisk	
01	103822206	1	Kemipumpe Max 18 L/Time	
02	31000101	1	FILTER AND LOCK FOR CHEMICAL PUMP	
03	107318136	1	Hose Tail Elbow 4 x 1/4	
04	107318134	1	Reduction 1/2 x 1/4	
05	107318155	1	T-HOSE CONNECTION D19X1/2XD19 BLUE PE	[1]
05	107318137	1	T Connection 1/4 x 1/2	
06	103821828	1	Relæ	
07	103821920	6	WIRE TERMINAL	
08	103821948	1	EXPANDER AL2-4EYR	
09	107318062	1	HOSE SILICONE 6/ 4X5M	
10	103822265	1	Slange F Kemipumpe	
11	103821778	1	NUT M20X1.5	
12	103821946	1	INSERT 3X6.5	
13	103821785	1	CABLE BUSHING	

Part Notes:

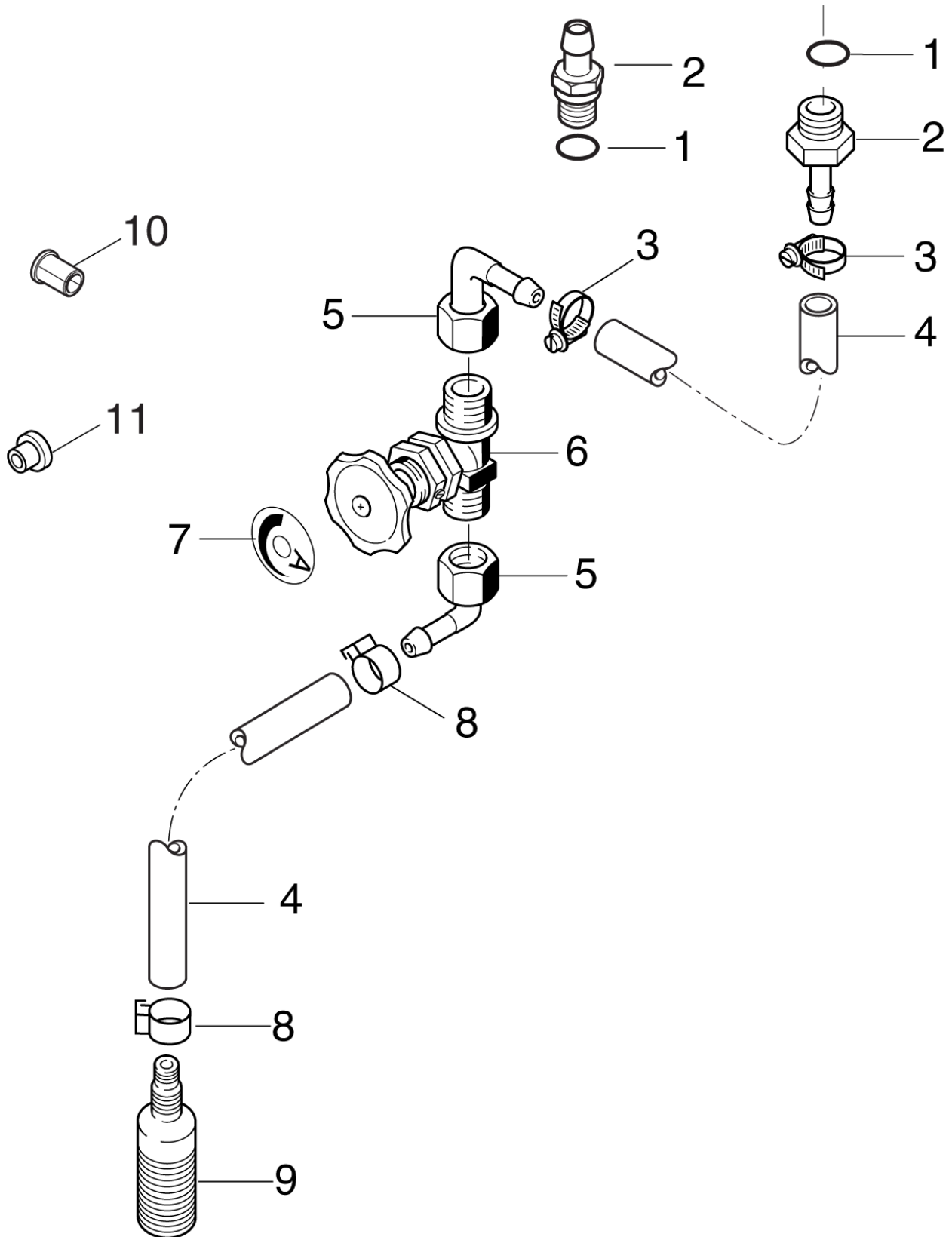
[1] - Only on NP8 pumps



Pos.	Vare-nr	Antal	Beskrivelse	Notes
00	107370953	1	2 x rengøringsmiddel elektronisk	
01	103822206	1	Kemipumpe Max 18 L/Time	
02	31000101	1	FILTER AND LOCK FOR CHEMICAL PUMP	
03	107318138	1	T CONNECTION 4X1/4	
04	107318134	1	Reduction 1/2 x 1/4	
05	107318155	1	T-HOSE CONNECTION D19X1/2XD19 BLUE PE	[1]
05	107318137	1	T Connection 1/4 x 1/2	
06	103821828	1	Relæ	
07	103821920	6	WIRE TERMINAL	
08	103821948	1	EXPANDER AL2-4EYR	
09	107318062	1	HOSE SILICONE 6/ 4X5M	
10	103822265	1	Slange F Kemipumpe	
11	103821778	1	NUT M20X1.5	
12	103821946	1	INSERT 3X6.5	
13	103821785	1	CABLE BUSHING	

Part Notes:

[1] - Only on NP8 pumps





Pos.	Vare-nr	Antal	Beskrivelse	Notes
0-	107340903	1	Manual til rengøringsmiddel	
01	3001740	1	O-Ring 7,66X1,78 Nitril	
02	1609300	1	Slangestuds	[1]
02	1608512	1	"Muffe 1/4""	[2]
03	1807593	2	Spændebånd 6-16MM A2	
04	4973	1	HOSE Ø6X3	
05	101609346	1	Hose Socket, Elbow	
06	103403268	1	Needle Valve	
07	12117	1	Tap Sticker	
08	1810084	2	Spændebånd Ø10,8/12,3	
09	107145440	1	Strainer Valve Compl. Kit	
10	107302159	1	Reduktion	[3]
11	301000187	1	Blænde	[4]
11	301001103	1	Blænde	[5]

Part Notes:

- [1] - C3
- [2] - UNO , DUO
- [3] - UNO, DUO
- [4] - C3 - 5,5kW  
STOCK COVERS GUARANTEE
- [5] - C3 - 6,5 kW  
NO LONGER AVAILABLE



Pos.	Vare-nr	Antal	Beskrivelse	Notes
0A	101118097	1	WATER SEAL KIT W. NEW SUPPORT RING - NA5	[1]
0A	107144147	1	Unloader Rep. Kit 1 - Na5 F. Dss	[1]
0A	301001068	1	Oliedyse	[1]
0A	301002071	1	Rep.Sæt Unloader Ventil	[1]
0A	101117988	1	Oil Pump Sp55B 431 Kit	[1]
0A	301002039	1	Ventilsæt	[1]
0A	1119820	1	Rep. sæt olietætning 03	[1]
0A	301000886	1	Oliedyse	[1]
0A	301002053	1	Kit Piston Sealing Ø22	[1]
0A	5218433	1	Pumpeolie ISO 150 (1 liter)	[1]
0A	6100941	1	Filter	[1]
0A	1756	1	Filterpatron	[1]
0A	101118013	1	Oliedyse 2.25 Gal/H 60	[1]
0A	101117989	1	OIL PUMP SP55B 4316M KEROSENE	[2]
0A	56519	1	O-Ring	[1]
0A	1119195	1	Rep. sæt ventilsystem	[1]
0A	301000905	1	Stempel	[1]
0A	1119570	1	Rep. sæt pakninger C3	[1]
0A	63056	1	Rep.Sæt Omløbsventil	[1]
0A	107144149	1	Unloader Rep. Kit 3 - Na5	[1]
0A	301002051	1	Rep.Sæt Olietætning	[1]
0A	64314	1	Reparationskit ventilstempel	[1]
0A	301001195	1	Rep. Sæt Omløbsventil	[1]
0A	3812385	1	Sikring Ø5X20	[1]
0A	1119571	1	Rep. sæt (pakningssæt, reduceret)	[1]
0A	301002055	1	Kit Support Ring Ø22	[1]
0A	107144102	1	Oliemanchet Kit - Na5	[1]
0A	107144100	1	Ventil Kit Na5	[1]
0A	34225	1	Filter	[1]
0A	301150009	1	Tændelegtrode	[1]
0B	63349	1	Svømmerventil	[3]
0B	107318091	1	VIBRATION DAMPER M8	[3]
0B	103403267	1	Svømmerventil, Kompl.	[3]
0B	107318092	1	Vibration Damper M10	[3]
0C	107141967	1	D-BEARING COVER COMPLETE NA5.2	[4]
0C	301002458	1	Reed Contact	[4]
0C	107310070	1	MOTOR 6.5KW 400-415.230/3/50	[4]
0C	3200664	1	Nåleleje	[4]
0C	101117987	1	Magnetventil 24V	[4]
0C	3200623	1	Leje	[4]
0C	301002754	1	Micro-Switch	[4]
0C	103822313	1	Contactore 12-25A 50/60Hz 24V	[4]
0C	103821912	1	Mini Relay 1P 230V	[4]
0C	101117719	1	Reed-Kontakt	[4]
0C	106268028	1	Exhaust Safety Thermostat Kit	[4]
0C	106408257	1	MOTOR BURNER - 0.23KW/230V/50HZ/1PH	[4]
0C	31000149	1	Leje, Rf	[4]
0C	107120708	1	Skråskive 4	[4]
0C	103822328	1	Thermal Relay 17-25Amp	[4]
0C	107310072	1	MOTOR 5.5KW 400-415.230/3/50	[4]
0C	106420052	1	Circuit Board Solar Boos Ter	[4]
0C	6100602	1	Spændering	[4]
0C	301000729	1	Flammeføler	[4]
0C	301000858	1	Tændingskabel	[4]
0C	1802511	1	Seegerring U 28 X 1,5	[4]
0C	101117675	1	Flowswitch, Komplet	[4]
0C	103821846	1	Sikkerhedstranf. 400V	[4]
0C	107120704	1	Lejeskive	[4]
0C	107141979	1	MOTOR 5.5 KW 220/230/400/440/3/50/60 EU	[4]

Pos.	Vare-nr	Antal	Beskrivelse	Notes
0C	107120716	1	Skråskive 12	[4]
0C	101118242	1	WOBBLE DISC 10.9 DEG. BEARING KIT NA5.2	[4]
0C	301001755	1	Slange	[4]
0C	107140938	1	MOTOR MEC132 230/400V 3PH 11KW	[4]
0C	107318088	1	HIGH PRESSURE HOSE DN8	[4]
0C	6101750	1	D-Lejedæksel Komp. 03	[4]
0C	301000615	1	Dæksel	[4]
0C	103821905	1	SAFETY DEVICE 2 POL 6A	[4]
0C	103822327	1	Relæ 12-18 Amp	[4]
0C	101118156	1	POTENTIOMETER KIT FOR SOLAR BOOSTER	[4]
0C	101406030	1	High Pressure Hose	[4]
0C	107120714	1	Skråskive 10	[4]
0C	6420251	1	Følør F.Temp.Reg.+Overk'.	[4]
0C	101118239	1	PISTON KIT - NA5.2	[4]
0C	103822306	1	Contactoer Cjx2-D18-B7 24V	[4]
0C	301000731	1	Mikrokontakt	[4]
0C	1119406	1	Rep. sæt kontraventil	[4]
0C	107144112	1	Injektør - Na5	[4]
0C	301000879	1	Tændingstransformator	[4]
0C	301002078	1	ROTOR MOTOR 11KW	[5]
0C	107141978	1	MOTOR 6.7 KW 220-400/440/3 50/60HZ - EU	[4]
0C	101119850	1	Rep.Sæt Trykring/Back-Up	[4]
0C	106420051	1	Circuit Board	[4]
0C	3200615	1	Rulleleje	[4]
0C	107141983	1	CYLINDER BLOCK W/O-RING NA5.2	[4]
0C	63058	1	Tilslutningsstykke	[4]
0C	107120707	1	Skråskive 3	[4]
0C	301001092	1	Højtryksslange Ø8X1175	[4]
0C	301002050	1	Rep.Sæt Stempler	[4]
0C	101118241	1	WOBBLE DISC 12 DEG. BEARING KIT NA5.2	[4]
0C	107310071	1	MOTOR 5.5KW 400-415.230/3/50	[4]
0C	3200656	1	Nåleleje Ina K 40X46X17	[4]
0C	3600301	1	Manometer	[4]
0C	107318090	1	HIGH PRESSURE HOSE 3/8	[4]
0C	6301166	1	Trykstempel keramik C3	[4]
0C	107318129	1	HP HOSE	[4]
0C	103821847	1	CONTROL TRANSFORMER 230V 24/19	[4]
0C	101406031	1	H.P. Hose Dn8 L=370	[4]
0C	107144109	1	Water Inlet Kit 1 - Na5	[4]
0C	301000859	1	Tændingskabel	[4]
0C	31000151	1	REAR BEARING EME	[4]
0C	107140615	1	Front Bearing Cover Compl Ete	[4]

Part Notes:

- [1] - A
- [2] - A  
Kerosene
- [3] - B
- [4] - C
- [5] - C  
ONLY COMPLETE MOTOR

