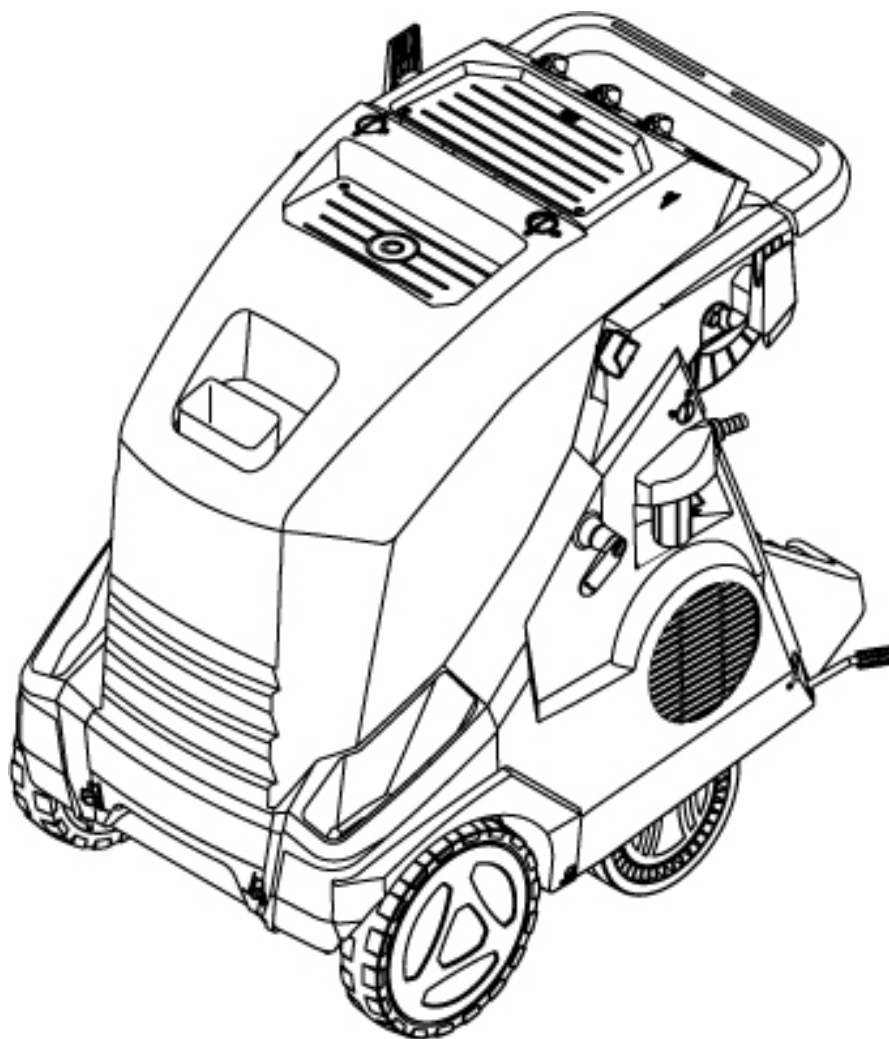


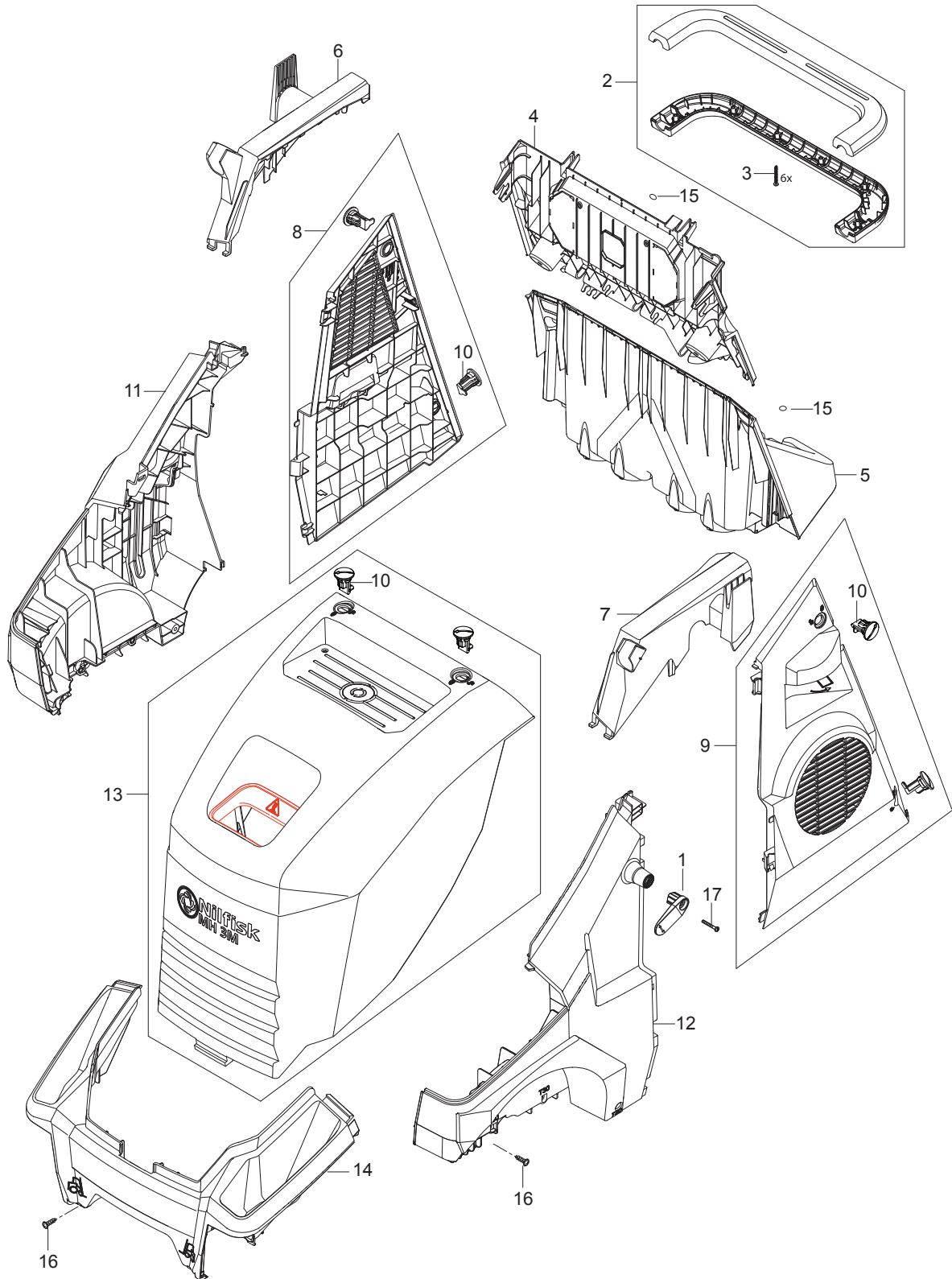
PARTS LIST



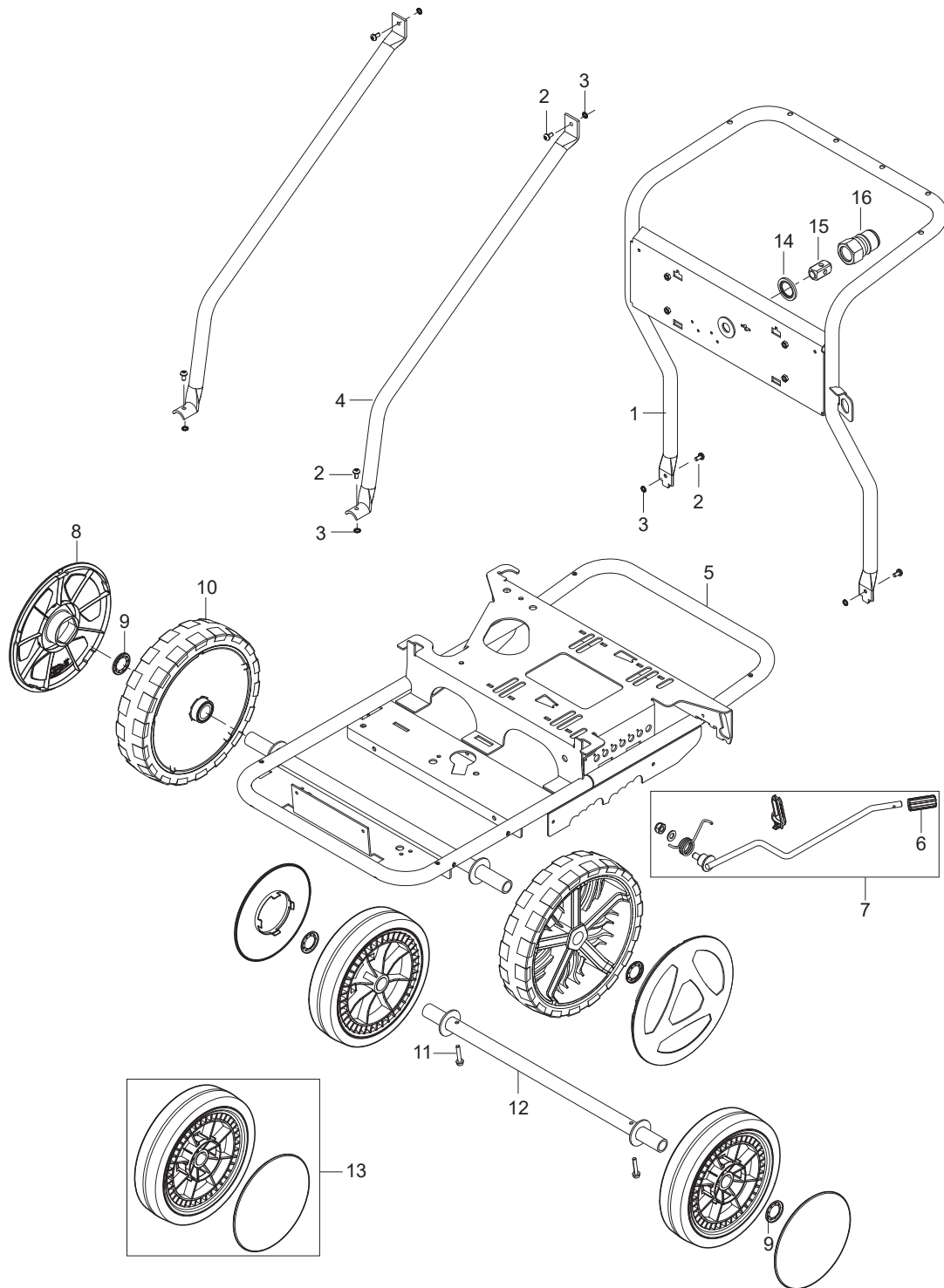
2017.05.30

TABLE OF CONTENTS

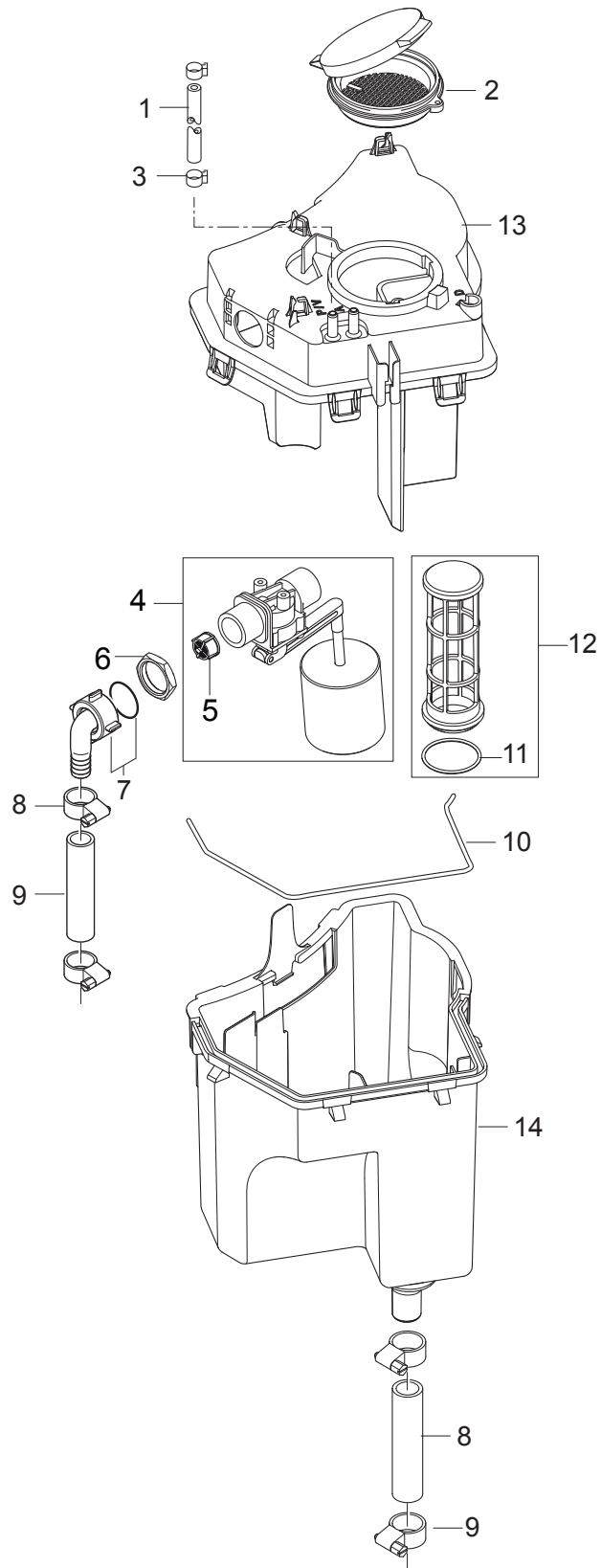
| | |
|--|----|
| Cabinet..... | 1 |
| Chassis..... | 3 |
| Water break tank..... | 5 |
| Fuel tank..... | 7 |
| Water inlet_PA..... | 9 |
| 1x detergent..... | 11 |
| Anti-scale..... | 13 |
| Cables and wires..... | 15 |
| Electric box..... | 17 |
| Motor with el-box 1ph..... | 20 |
| Pump_with easy start - without injector..... | 22 |
| Flow control PA..... | 24 |
| Fan..... | 26 |
| Burner unit..... | 28 |
| Boiler b2..... | 30 |
| Recommended spare parts..... | 32 |
| Lifting device MH3_MH4 accessory..... | 35 |
| Sandfilter accessory..... | 37 |



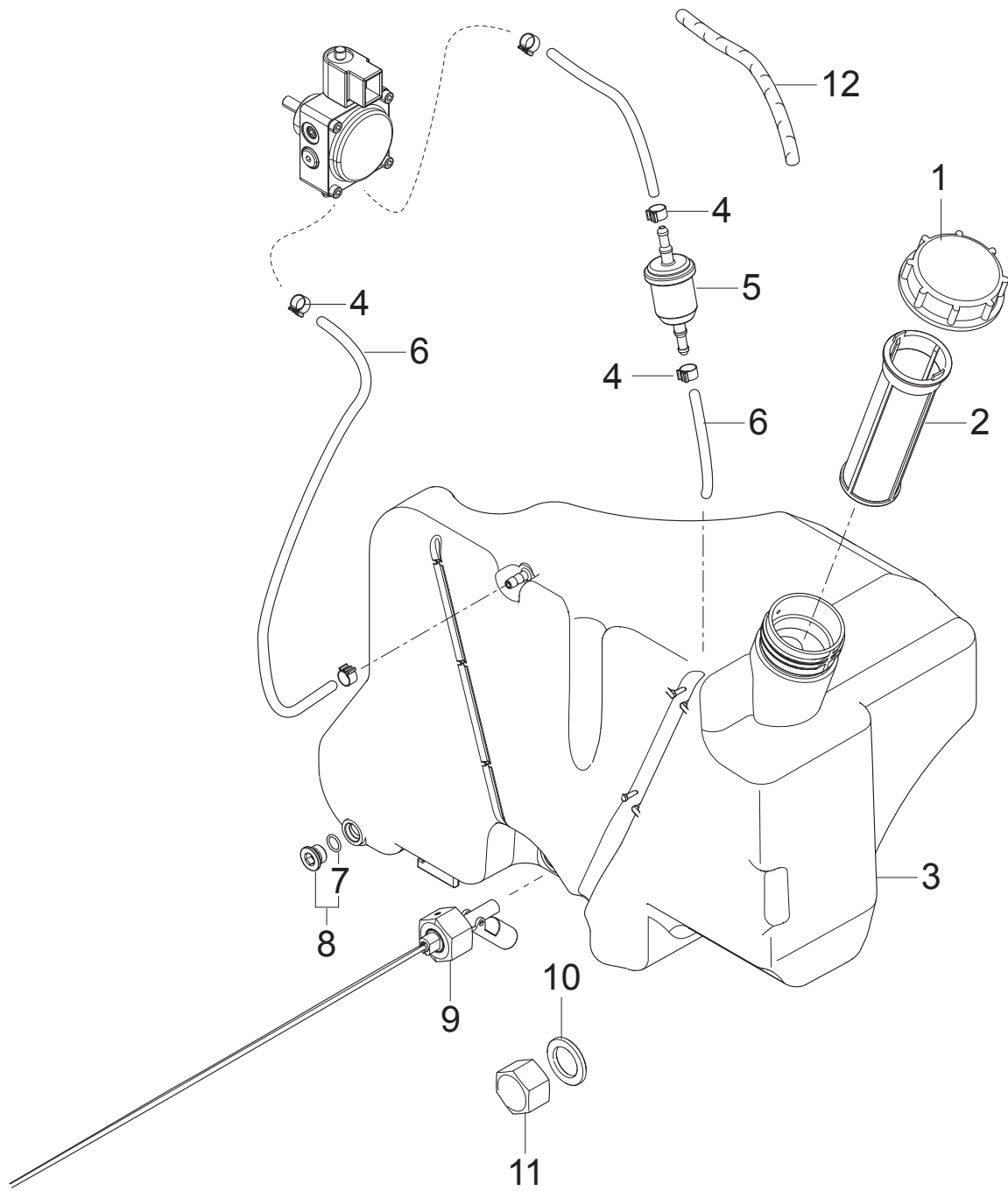
| Pos. | Vare-nr | Antal | Beskrivelse | Notes |
|------|-----------|-------|-----------------------------------|-------|
| 1 | 107143025 | 1 | CABLE HOOK CLAMP BLUE | |
| 2 | 101118192 | 1 | HANDLE KIT | |
| 3 | 909100148 | 6 | SCREW K40X30 WN 1452 | |
| 4 | 107143013 | 1 | REAR END TOP | |
| 5 | 107143014 | 1 | REAR END BOTTOM | |
| 6 | 107143021 | 1 | COVERING FOR HANDLE RIGHT | |
| 7 | 107143022 | 1 | COVERING FOR HANDLE LEFT | |
| 8 | 107143024 | 1 | DOOR W/LOCKS MPU NA4 RIGHT | |
| 9 | 107143019 | 1 | DOOR LEFT W/LOCKS | |
| 10 | 301001261 | 6 | Lås | |
| 11 | 107143012 | 1 | SIDE BUMPER SMALL RIGHT | |
| 12 | 107143011 | 1 | SIDE BUMPER SMALL LEFT | |
| 13 | 101118193 | 1 | CABINET MH 3M NILFISK KIT | |
| 14 | 107143015 | 1 | FRONT BUMPER | |
| 15 | 107143009 | 6 | BLIND PLUG D16.5 FOR T30 BLACK PE | |
| 16 | 107143018 | 6 | SCREW M6X16 | |
| 17 | 107141838 | 11 | SCREW K50X18 WN1451 BLACK TORX20 | |



| Pos. | Vare-nr | Antal | Beskrivelse | Notes |
|------|-----------|-------|---------------------------------------|-------|
| 1 | 31001031 | 1 | FRAME HANDLE | |
| 2 | 107143018 | 6 | SCREW M6X16 | |
| 3 | 107143146 | 6 | WASHER SERRATED M6 | |
| 4 | 31001032 | 2 | HANDLE STIFFENER SHORT | |
| 5 | 31001033 | 1 | FRAME SHORT | |
| 6 | 107143028 | 1 | BRAKE KNOB | |
| 7 | 101118180 | 1 | BRAKE ARM SHORT KIT | |
| 8 | 107145780 | 2 | WHEEL CAP FOR WHEEL Ø300X65 - NILFISK | |
| 9 | 46363 | 4 | Låsering Ø25 | |
| 10 | 107145637 | 2 | WHEEL D300X65 | |
| 11 | 107143027 | 2 | SCREW M6X35 SW10 DIN7500D FZB | |
| 12 | 31001034 | 1 | WHEEL AXLE REAR | |
| 13 | 107143304 | 2 | WHEEL D250 HEAVY LOAD W/CAP | |
| 14 | 1801075 | 1 | Tætningsskive 3/8" | |
| 15 | 107143066 | 1 | PISTON | |
| 16 | 1600493 | 1 | Ergo højtrykskobling DN10 3/8" han | |



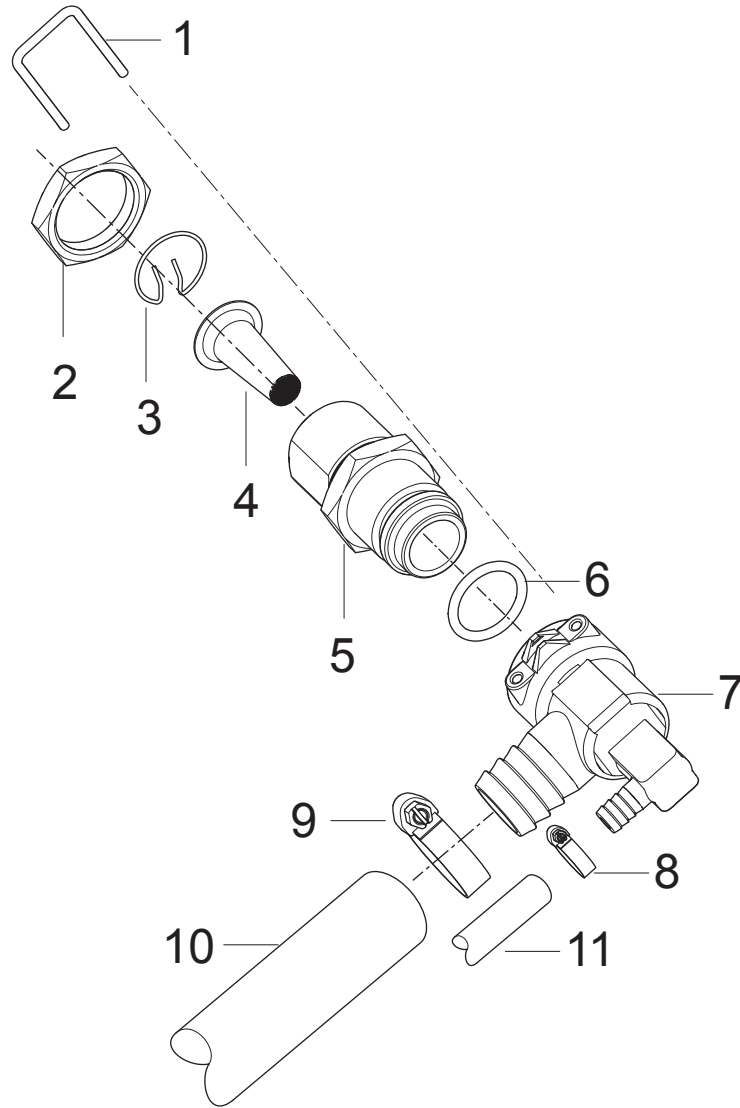
| Pos. | Vare-nr | Antal | Beskrivelse | Notes |
|------|-----------|-------|--|-------|
| 1 | 106408243 | 1 | HOSE 1/4INCH TRANSPARENT - 5 METERS | |
| 2 | 301000561 | 1 | Dæksel | |
| 3 | 301001133 | 2 | Slangeklemme Ø10/7 | |
| 4 | 101117784 | 1 | Svømmerventil | |
| 5 | 34218 | 1 | Filter For Float Valve Ku | |
| 6 | 1800341 | 1 | "Kontramøtrik 3/4"" " | |
| 7 | 107143084 | 1 | HOSE COUPLING 90° 20X3/4 PP W/NUT/GASKET | |
| 8 | 107143031 | 1 | FUELFLEX HOSE D28/D20 10BAR/20° | |
| 9 | 8298 | 4 | Spændebånd | |
| 10 | 101406054 | 1 | Sponge Rubber Ø4 L 1M | |
| 11 | 107143032 | 1 | O-RING D30X2 SHORE70 NBR BLACK | |
| 12 | 106403194 | 1 | Filter til svømmertank | |
| 13 | 107143060 | 1 | COVER FOR WATER TANK | |
| 14 | 107143030 | 1 | WATER BREAK TANK | |



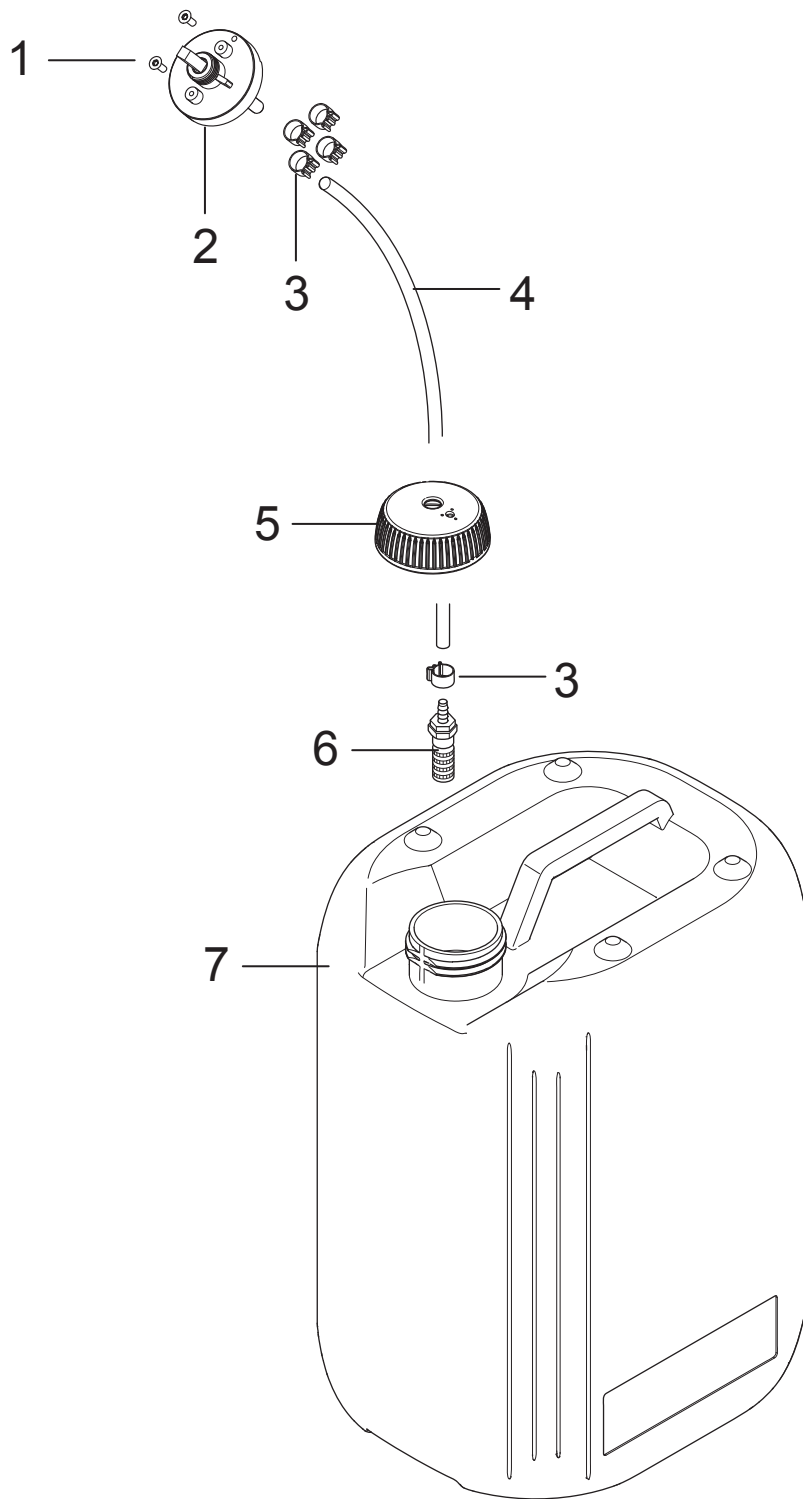
| Pos. | Vare-nr | Antal | Beskrivelse | Notes |
|------|-----------|-------|--------------------------|-------|
| 1 | 107143034 | 1 | FUEL TANK LID - RED | |
| 2 | 1604222 | 1 | Filtersi | |
| 3 | 107143035 | 1 | FUEL TANK 15L | |
| 4 | 301001133 | 6 | Slangeklemme Ø10/7 | |
| 5 | 301002926 | 1 | Filter | |
| 6 | 106408244 | 1 | Slange Ø6X2.5 - 5 meter | |
| 7 | 3000072 | 1 | O-ring 10,1 x 1,6 Nitril | |
| 8 | 6180906 | 1 | Prop m. o-ring | |
| 9 | 107143033 | 1 | LEVEL SENSOR FUEL TANK | |
| 10 | 3001237 | 1 | Pakning Ø24,5Xø16X3 | [1] |
| 11 | 107143113 | 1 | END CAP 3/4 | [1] |
| 12 | 107143164 | 1 | BEND PROTECTOR | [2] |

Part Notes:

- [1] - MH3/FAL
 [2] - DE TSB-PPW-2017-006 MH 3, 4, 5, 6, 7 Kraftstoffschlauch kann durch zu st...
 TSB-PPW-2017-006 MH 3, 4, 5, 6, 7 Fuel hose can bend and block for fuel



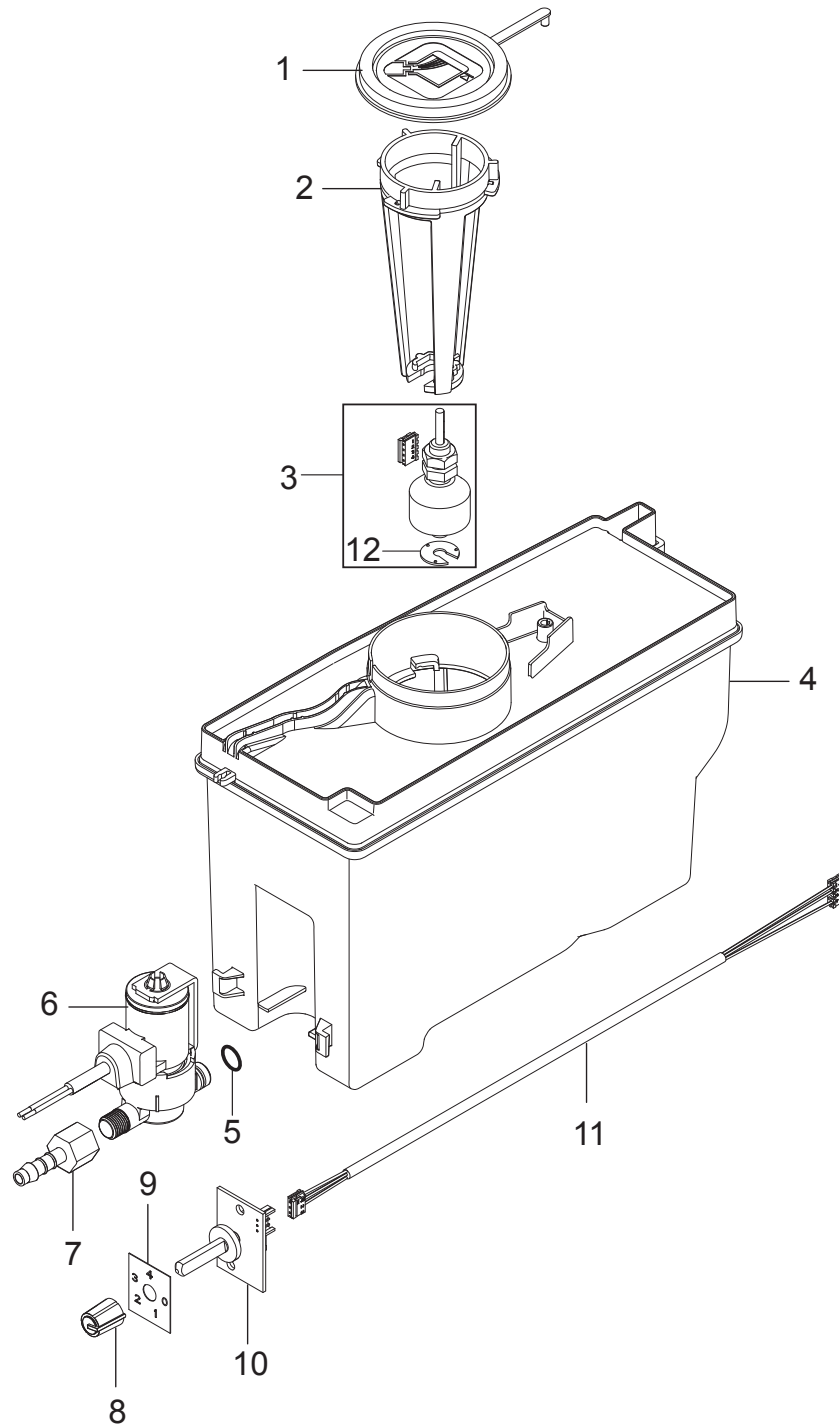
| Pos. | Vare-nr | Antal | Beskrivelse | Notes |
|------|-----------|-------|-------------------------------------|-------|
| 1 | 107143085 | 2 | LOCK PIN | |
| 2 | 1800341 | 1 | "Kontramøtrik 3/4"" " | |
| 3 | 107141667 | 1 | LOCK WASHER | |
| 4 | 101117926 | 1 | Filter | |
| 5 | 107143086 | 1 | FITTING FOR WATER INLET | |
| 6 | 107143088 | 2 | O-RING 18.72X2.62 | |
| 7 | 107143089 | 1 | WATER INLET FITTING FOR PA | |
| 8 | 11654 | 1 | Slangeklemme | |
| 9 | 8298 | 1 | Spændebånd | |
| 10 | 107143031 | 1 | FUELFLEX HOSE D28/D20 10BAR/20° | |
| 11 | 106408243 | 1 | HOSE 1/4INCH TRANSPARENT - 5 METERS | |



| Pos. | Vare-nr | Antal | Beskrivelse | Notes |
|------|-----------|-------|---|-------|
| 1 | 1814730 | 2 | SCREW 35X10B W1423 | |
| 2 | 301001000 | 1 | Doserventil | |
| 3 | 301001133 | 8 | Slangeklemme Ø10/7 | |
| 4 | 106408243 | 1 | HOSE 1/4INCH TRANSPARENT - 5 METERS | |
| 5 | 107141664 | 2 | CAP FOR DETERG. TANK WITH VALVE MOUNTED | [1] |
| 6 | 107145440 | 2 | Strainer Valve Compl. Kit | |
| 7 | 80518 | 1 | Plastdunk 10 liter | |

Part Notes:

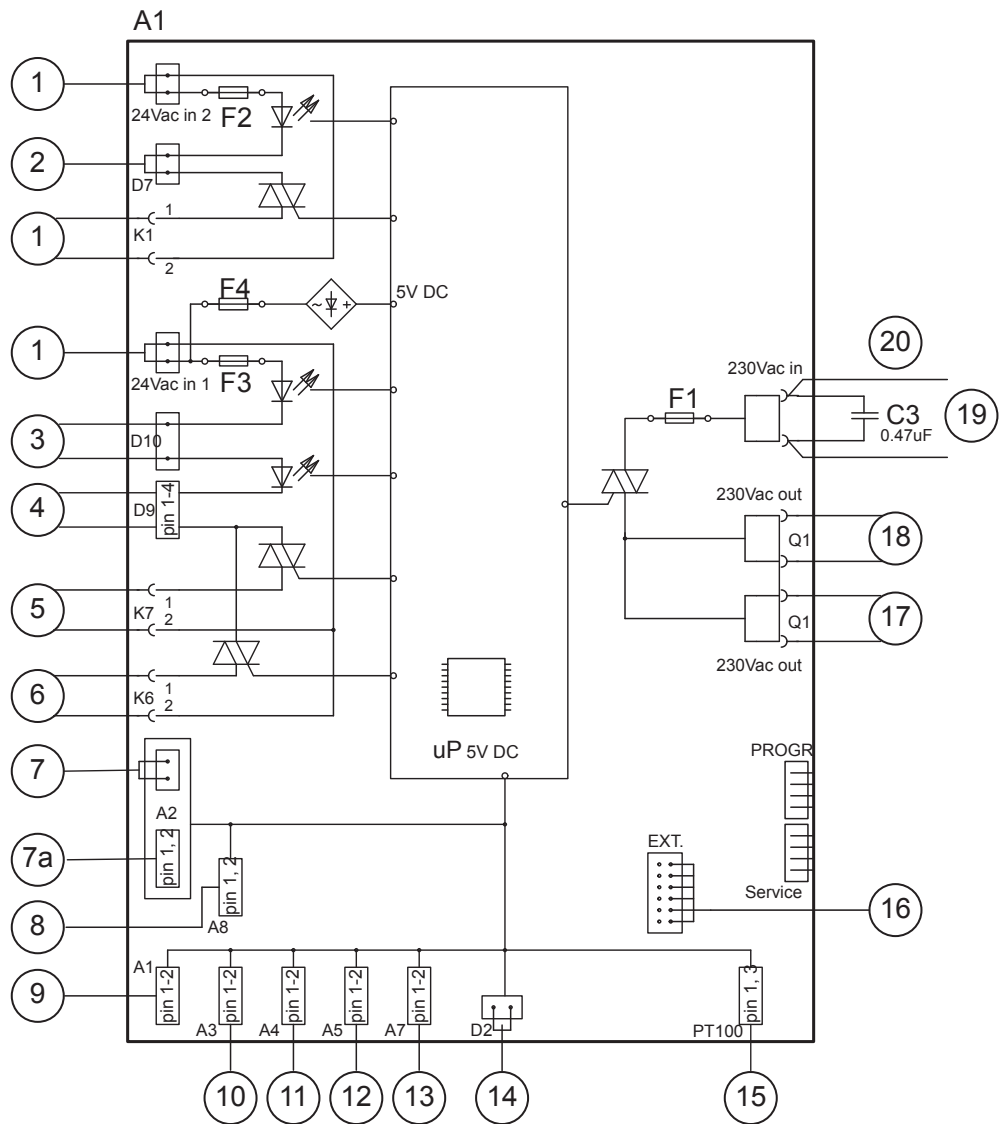
[1] - PRUNED



| Pos. | Vare-nr | Antal | Beskrivelse | Notes |
|------|-----------|-------|-----------------------------------|-------|
| 1 | 45646 | 1 | COVER | |
| 2 | 107143040 | 1 | LEVELSENSOR BRACKET FOR ANTISCALE | |
| 3 | 101118214 | 1 | FLOAT SWITCH KIT | |
| 4 | 107143041 | 1 | ANTISCALE TANK CPL. | |
| 5 | 31001036 | 1 | O-RING 6X2 NBR 70SH | |
| 6 | 107143037 | 1 | DOSING VALVE RPE 24VAC | |
| 7 | 107143036 | 1 | HOSE FITTING D6X1/8 PA | |
| 8 | 107318222 | 1 | PUSH-ON KNOB 11MM/6MMD/WH | |
| 9 | 107143042 | 1 | LABEL FOR ANTISCALE | |
| 10 | 101117730 | 1 | PCB FOR POTENTIOMETER | |
| 11 | 107143038 | 1 | CABLE FOR ADJUSTMENT ANTI SCALE | |
| 12 | 107142593 | 1 | HOLDING WASHER PE | [1] |

Part Notes:

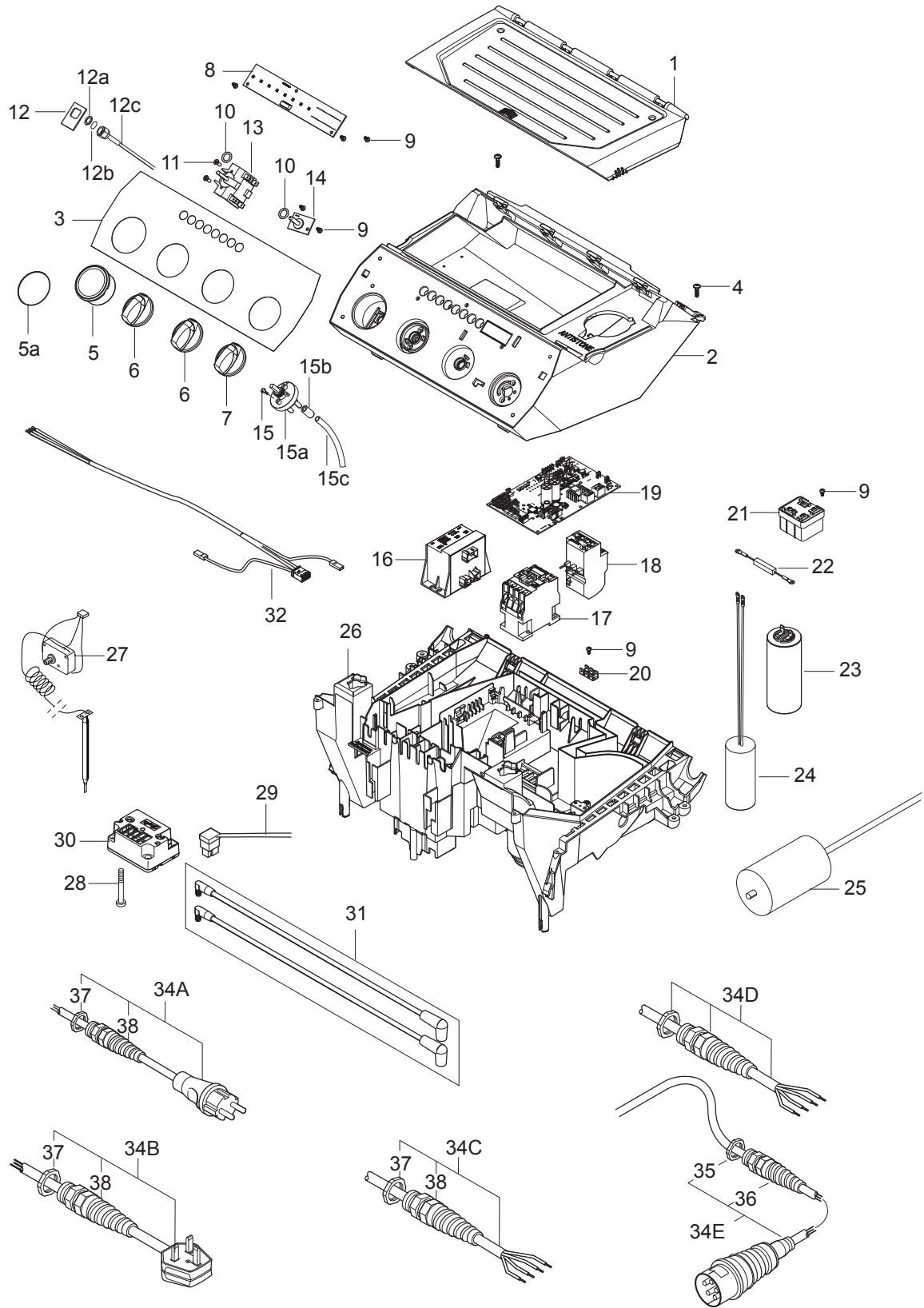
- [1] - TSB-PPW-2016-017 Locking ring for oil level switch falling off



| Pos. | Vare-nr | Antal | Beskrivelse | Notes |
|------|-----------|-------|--|-------|
| 1 | 107143052 | 1 | CABLE FOR POWER TRANSFORMER SEC 6X0.75 | |
| 2 | 107143070 | 1 | CABLE FOR MT | [1] |
| 2 | 107143057 | 1 | CABLE FOR RELAY | [2] |
| 2 | 107143081 | 1 | CABLE FOR MT MH3 | [3] |
| 3 | 107143055 | 1 | CABLE FOR HOT WATER MODE AND EXH. SWITCH | |
| 4 | 107143121 | 2 | REED SWITCH NO W/CABLE | |
| 5 | 107143095 | 1 | CABLE FOR SOLENOID VALVE 2X0.5 | |
| 6 | 107143037 | 1 | DOSING VALVE RPE 24VAC | |
| 7 | 31001037 | 1 | SWITCHBOX ASSEMBLED WITH CABLE | [4] |
| 7 | 101118188 | 1 | MICRO-SWITCH KIT | [5] |
| 7a | 107143121 | 2 | REED SWITCH NO W/CABLE | [6] |
| 8 | 107143043 | 1 | CABLE FOR TEMPERATURE ADJUSTMENT | |
| 9 | 101118214 | 1 | FLOAT SWITCH KIT | |
| 10 | 107143038 | 1 | CABLE FOR ADJUSTMENT ANTI SCALE | |
| 11 | 107143033 | 1 | LEVEL SENSOR FUEL TANK | [7] |
| 11 | 107143059 | 1 | EHR-4 JUMPER | [8] |
| 12 | 101118173 | 1 | OIL SENSOR W/PLUG KIT | [9] |
| 12 | 107143059 | 1 | EHR-4 JUMPER | [8] |
| 13 | 107143100 | 1 | FLAME SENSOR WITH CABLE | |
| 14 | 107143055 | 1 | CABLE FOR HOT WATER MODE AND EXH. SWITCH | |
| 15 | 107143083 | 1 | TEMPERATUR SENSOR PT100 W/CABLE | |
| 16 | 107143053 | 1 | CABLE FOR UI | |
| 17 | 107143098 | 1 | PRIMARY CABLE FOR IGNITION COIL | |
| 18 | 107143096 | 1 | MOTOR BURNER - 0.23KW/230V/50HZ/1PH | [10] |
| 18 | 107143097 | 1 | MOTOR BURNER 390W/200-240V/50/60HZ | [11] |
| 19 | 107143054 | 1 | WIRE BLACK L=400 | [12] |
| 19 | 107143058 | 1 | WIRE 1.5MM2 BLACK | [2] |
| 20 | 101117867 | 1 | NOISE FILTER KIT | |

Part Notes:

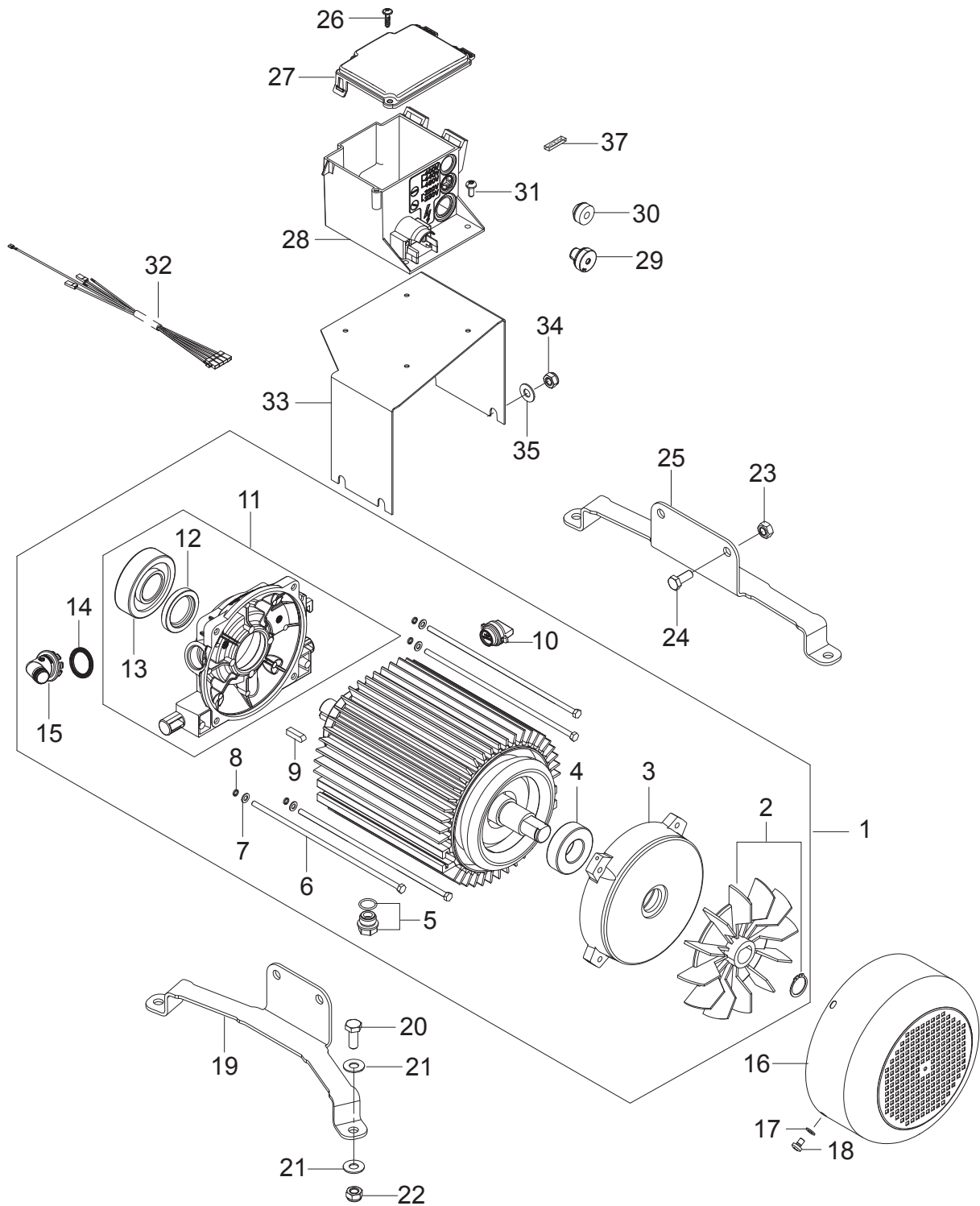
- [1] - MH4
- [2] - MH3 1~
- [3] - MH3 3~
- [4] - MH3
- [5] - NA5 PA
- [6] - NA5 FA
- [7] - MH4+5+6+7
- [8] - MH3+MH4FAL
- [9] - MH4+5+6+7
- MI 107309166 JST Connector
- [10] - All except MH4 JP+ MH4M-200 60Hz
- [11] - MH4 JP+ MH4M-200 60Hz
- [12] - All except MH3 1~



| Pos. | Vare-nr | Antal | Beskrivelse | Notes |
|------|-----------|-------|--|-------|
| 0 | 101118269 | 1 | PCBA FOR MH REMOTE CONTROL KIT | [1] |
| 1 | 107143046 | 1 | TOOL BOX LID | |
| 2 | 107143045 | 1 | E-BOX TOP | |
| 3 | 107143047 | 1 | LABEL F. CONTR PANEL MEDIUM SPEC NILFISK | |
| 3 | 107143049 | 1 | LABEL F. CONTROL PANEL LOW SPEC NILFISK | [2] |
| 4 | 107141838 | 2 | SCREW K50X18 WN1451 BLACK TORX20 | |
| 5 | 107141648 | 1 | MANOMETER 0-300 BAR - 1/4" | |
| 5a | 107143050 | 1 | COVER FOR E-BOX (MANO-HOLE) | [2] |
| 6 | 909100204 | 2 | Drejeknap | |
| 7 | 909100214 | 1 | Drejeknap Gr.1 4Kt | |
| 8 | 107143044 | 1 | PCBA UI LED | |
| 9 | 909100046 | 5 | SCREW 4X8 | |
| 10 | 9868 | 2 | O-ring 10.0X2.5 | |
| 11 | 18274 | 2 | Skrue M4X12 | |
| 12 | 107141650 | 1 | PLATE FOR MANOMETER | |
| 12a | 107141651 | 1 | WASHER M12 13X24X2.5 A2 DIN125 | |
| 12b | 31000508 | 1 | O-RING NBR | |
| 12c | 102406647 | 1 | Slange | |
| 13 | 28877 | 1 | Switch | |
| 14 | 101117730 | 1 | PCB FOR POTENTIOMETER | |
| 15 | 1814730 | 2 | SCREW 35X10B W1423 | |
| 15a | 301001000 | 1 | Doserventil | |
| 15b | 301001906 | 1 | Lukkekappe | |
| 15c | 106408243 | 1 | HOSE 1/4INCH TRANSPARENT - 5 METERS | |
| 16 | 107143051 | 1 | POWER TRANSFORMER 230/400V 2X24V | |
| 16 | 107143064 | 1 | POWER TRANSFORMER 220-240V/440-460V | |
| 16 | 107143068 | 1 | POWER TRANSFORMER 115 / 200V | |
| 17 | 103822306 | 1 | Contactora Cjx2-D18-B7 24V | [3] |
| 17 | 103822313 | 1 | Contactora 12-25A 50/60Hz 24V | [4] |
| 17 | 103822317 | 1 | Contactora Cjx2-D32-B7 24V | [5] |
| 18 | 103822327 | 1 | Relæ 12-18 Amp | |
| 19 | 107143151 | 1 | PCBA MH | |
| 20 | 107307326 | 1 | EARTH CONNECTOR 6 PIN | |
| 21 | 107141729 | 1 | START RELAY RVAH4AH3C | |
| 22 | 107141730 | 1 | DISCHARGE RESISTOR 15KOHM/7W | |
| 23 | 301002320 | 1 | Kondensator | [6] |
| 24 | 107143065 | 1 | CAPACITOR 70UF 400/450V | [7] |
| 25 | 107141619 | 1 | CAPACITOR 170MF | [7] |
| 26 | 107143062 | 1 | E-BOX BOTTOM | |
| 27 | 101117723 | 1 | Flammesensor Neptun 2 | |
| 28 | 909100149 | 2 | Skrue 5X50 | |
| 29 | 107143098 | 1 | PRIMARY CABLE FOR IGNITION COIL | |
| 30 | 103822275 | 1 | IGNITION TRANSF. 220-240 50-60 - DANFOSS | |
| 31 | 101118220 | 1 | 2 X IGNITION CORDS KIT | |
| 32 | 107143056 | 1 | CABLE FOR POWER TRAF0 PRIM 230V | [8] |
| 32 | 107143063 | 1 | CABLE FOR POWER TRANSFORMER PRIM 400V | [9] |
| 32 | 107143072 | 1 | CABLE F. POWER TRANSFORMER PRIM 230/400 | [10] |
| 34A | 101117809 | 1 | POWER C.H07RN 3G1.5 CEE7 GDN 6.3X0.8 KIT | [11] |
| 34B | 101117812 | 1 | POWER C.H07RN 3G1.5 BS13 GDN 6.3X0.8 KIT | [12] |
| 34C | 101117811 | 1 | POWER C.H07RN 4G1.5 GDN 6.3X0.8 KIT | [13] |
| 34C | 107143099 | 1 | POWER CORD 4x2,5mm2 x9m | [14] |
| 34D | 101118182 | 1 | POWER CORD H07RN 4G2.5X6M GND 6.3X0.8 NO | [15] |
| 34E | 301000834 | 1 | Ledning Med Stik | [16] |
| 35 | 909100198 | 1 | SCREWED CABLE GLAND M25X1.5 | |
| 36 | 909100020 | 1 | Hexagon Thin Nut M25X1.5 En 50262 P | |
| 37 | 909100019 | 1 | Møtrik | |
| 38 | 909100043 | 1 | Kabelafastning | |

Part Notes:

- [1] - Accessory
- [2] - FAL
- [3] - All MH3
MH4-100/680, MH4-130/720, MH4-180/860, MH4-200/960, MH4-210/1000, MH220/1000
- [4] - MH3-160/770 440-220V 3~ 60Hz (EXP)
MH4-200/960 400-230V 3~ 50Hz (NO)
- [5] - MH4-180/890 200V 3~ 50/60Hz (JP), MH4-200/960 440-220 3~ 60Hz (EXP)
- [6] - MH3: 1ph
- [7] - MH4: 1ph
- [8] - MH3/MH4: 1~
- [9] - MH3/MH4: Star or Delta
- [10] - MH3/MH4: star/delta
- [11] - MH 4M-130/720 FA 230/1/50 EU
- [12] - MH 3M-100/600 PA 230/1/50 UK, MH 4M-100/680 PA 230/1/50 UK
- [13] - MH 3M-160/770 PA 440-220/3/60 EXPT
- [14] - MH 4M-180/890 FA 200/3/50 JP
- [15] - MH 4M-200/960 FAX 400-230/3/50 NO, EXP
- [16] - MH 4M-200/960 FA 400/3/50 EU, MH 4M-180/860 FAL 400/3/50 EU, MH 4M-210/1000 PAX 400/3/50 EU, MH 3M-160/770 PA 400/3/50 EU, MH 4M-220/1000 FAX 400/3/50 EU



Resource notes:

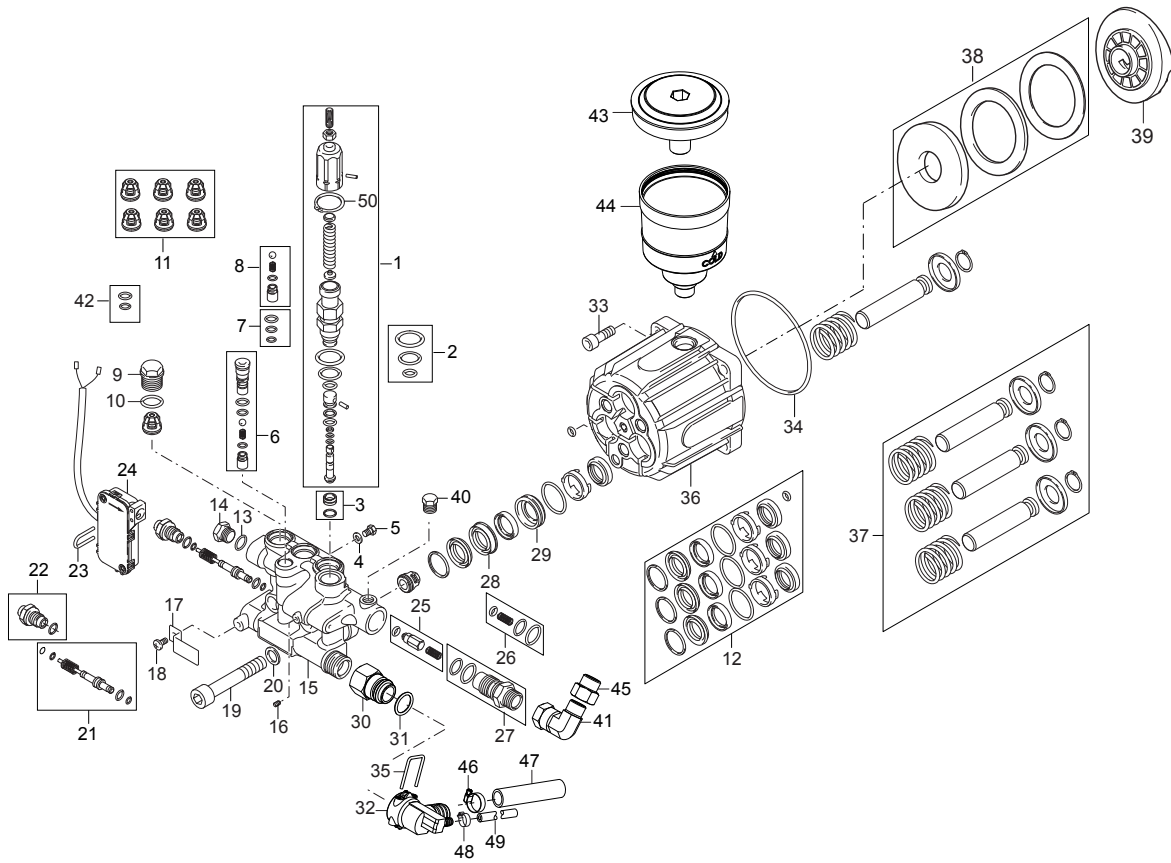
TSB-PPW-2017-004 MH 3M 1~ Resonance in by-pass or low pressure mode

DE TSB-PPW-2017-004 MH 3M 1~ Resonanz im Bypass oder Niederdruck Betrieb...

| Pos. | Vare-nr | Antal | Beskrivelse | Notes |
|------|-----------|-------|--|-------|
| 1 | 31001006 | 1 | MOTOR NA4 - 2.2KW/230V/50HZ/1PH | |
| 2 | 107145038 | 1 | FAN INCL. SEAL V-RING | |
| 3 | 107145037 | 1 | N-BEARING COVER | |
| 4 | 301003080 | 1 | Leje, 6205 Zz | |
| 5 | 31001038 | 1 | PLUG FOR OIL DRAIN W/O O-RING | |
| 6 | 31000916 | 4 | STAY BOLT M5X210 | |
| 6 | 31000917 | 4 | STAY BOLT M5X230 | |
| 7 | 31000918 | 4 | WASHER D5.5XD10 GB/T97.1 ISO7089 | |
| 8 | 31000919 | 4 | LOCK RING D5.1XD7.7 GB/T93 DIN127 | |
| 9 | 101814798 | 1 | KEY 6 X 6 X 20 MM FOR POSEIDON 4 | |
| 10 | 31001039 | 1 | OIL PLUG FOR NA3 AND NA4 | |
| 11 | 31000920 | 1 | D-BEARING COVER P4 INCL SEAL AND BEARING | |
| 12 | 301003078 | 1 | Oil Seal | |
| 13 | 31001028 | 1 | BEARING 7306 | |
| 14 | 31000921 | 1 | SEAL ID 23.4XOD 31 D 2/3.5 | |
| 15 | 31000922 | 1 | CABLE GLAND 23.5 SNAPON 110 DEG | |
| 16 | 107307308 | 1 | FAN COVER FOR NA3/NA4 | |
| 17 | 4021 | 4 | SERRATED LOCK WASHER A4 | |
| 18 | 1804160 | 4 | SCREW HEX CAP M4X8 | |
| 19 | 107143159 | 1 | BRACKET LEFT MH-3 | [1] |
| 20 | 2753 | 4 | Skruer | |
| 21 | 1800796 | 4 | Skive M8 | |
| 22 | 1800515 | 4 | Låsemøtrik M8 | |
| 23 | 2758 | 4 | Møtrik M8 | |
| 24 | 2750 | 4 | HEX. SCREW M8X25 ISO 4017 ZN | |
| 25 | 107143160 | 1 | BRACKET RIGHT MH-3 | [1] |
| 26 | 107141838 | 7 | SCREW K50X18 WN1451 BLACK TORX20 | |
| 27 | 301000782 | 1 | Dæksel | |
| 28 | 107143074 | 1 | E-BOX | |
| 29 | 3803772 | 1 | CABLE GROMMET TET 7-10C | |
| 30 | 3803764 | 1 | Pakdåse Tet 5-7C | |
| 31 | 107141690 | 4 | SCREW M5X12 DIN7985 TORX TAPTITE | |
| 32 | 107143079 | 1 | MOTOR CABLE 5G1.5 FOR 1~ MH3 | |
| 33 | 107143161 | 1 | BRACKET E-BOX MH-3 | [1] |
| 34 | 1800515 | 4 | Låsemøtrik M8 | |
| 35 | 1800796 | 4 | Skive M8 | |
| 37 | 107143078 | 1 | JUNCTION 6.3X0.8 | |

Part Notes:

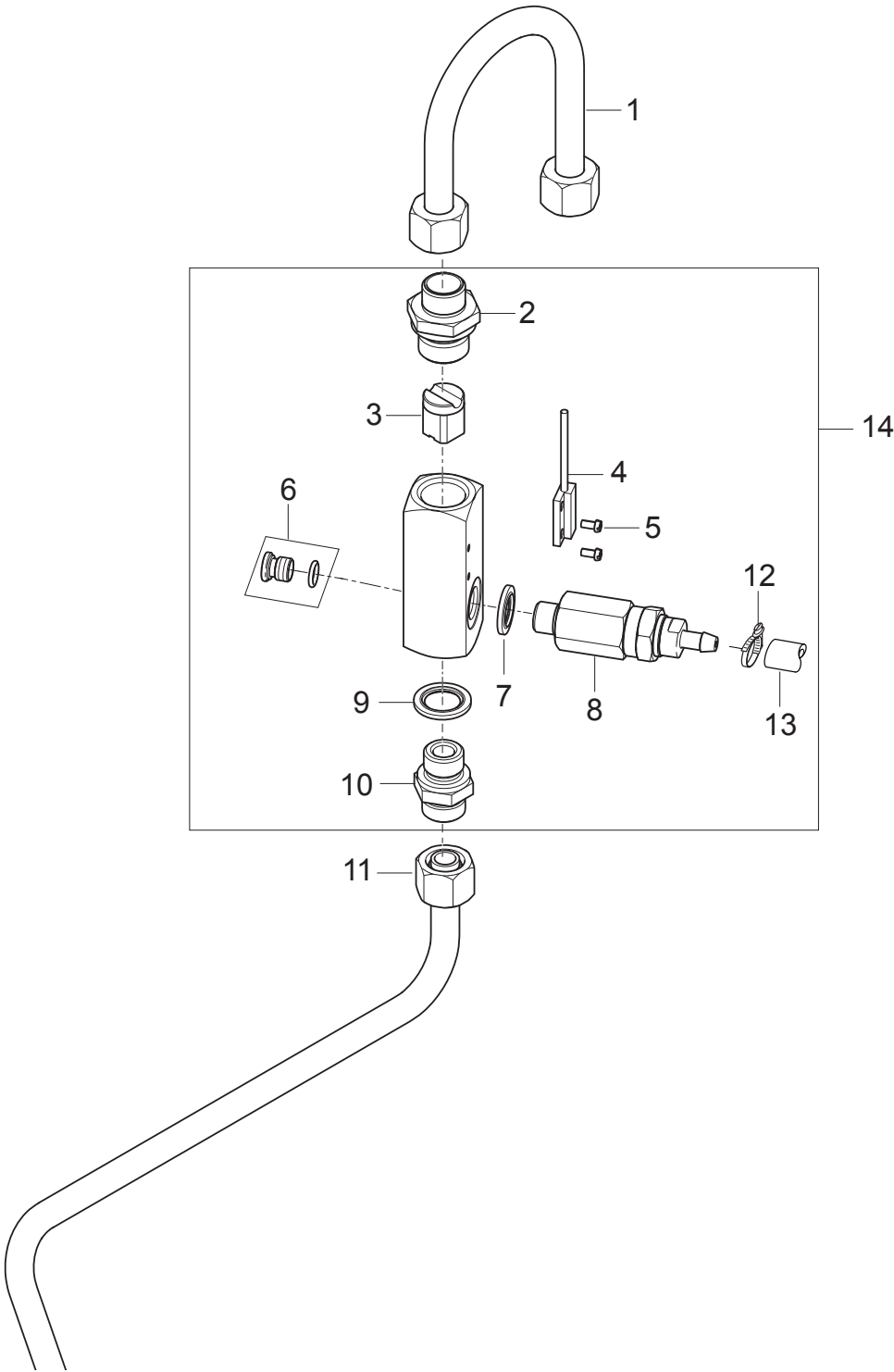
[1] - TSB-PPW-2017-004 MH 3M 1~ Resonance in by-pass or low pressure mode



| Pos. | Vare-nr | Antal | Beskrivelse | Notes |
|------|-----------|-------|-------------------------------------|-------|
| 0 | 31001082 | 1 | Olie ROTRA MP 80W-90 1L | [1] |
| 1 | 31000978 | 1 | REGULATION SAFETY BLOCK | |
| 2 | 301003032 | 1 | O-Ring Regulation Safety | |
| 3 | 301003033 | 1 | Valve Seat Kit | |
| 4 | 31000944 | 1 | WASHER | |
| 5 | 301003035 | 1 | SCREW M6 | |
| 6 | 31000981 | 1 | EASY START KIT | |
| 7 | 301003037 | 1 | O-Ring Easy Start Kit | |
| 8 | 31000983 | 1 | SEAT EASY START KIT | |
| 9 | 301003039 | 1 | PLUG Ø 15.6 | |
| 10 | 301003040 | 1 | O-Ring Ø 15,6X1,78 | |
| 11 | 31000576 | 1 | VALVE KIT 6 PCS | |
| 12 | 301003042 | 3 | Pakningssæt POSEIDON 4 | |
| 13 | 301003043 | 1 | O-Ring Ø 10,82X1,78 | |
| 14 | 301003044 | 1 | PLUG Ø 10.8 | |
| 15 | 301003045 | 1 | Pump Head | |
| 16 | 301003046 | 1 | SCREW M3X5 | |
| 17 | 301003047 | 1 | BRACKET | |
| 18 | 301003048 | 1 | SCREW M5X10 | |
| 19 | 301003049 | 1 | SCREW M12X70 UNI 5931 | |
| 20 | 301003050 | 1 | WASHER Ø 12 | |
| 21 | 31000939 | 1 | PISTON KIT FOR MICROSWITCH | [2] |
| 22 | 31000940 | 1 | FITTING KIT FOR MICROSWITCH | [3] |
| 23 | 301003053 | 1 | Clamp | |
| 24 | 31001037 | 1 | SWITCHBOX ASSEMBLED WITH CABLE | |
| 25 | 31000988 | 1 | INJECTOR | |
| 26 | 31000989 | 1 | O-RING KIT FOR INJECTOR | |
| 27 | 31000990 | 1 | INJECTOR KIT | |
| 28 | 301001559 | 1 | "Thrust Collar Ø18 ""Np3- Pump" | |
| 29 | 301003059 | 1 | Piston Guide | |
| 30 | 107143091 | 1 | WATER INLET NA4 | |
| 31 | 107143088 | 1 | O-RING 18.72X2.62 | |
| 32 | 107143092 | 1 | WATER LIMITER (SMALL) | |
| 33 | 301003063 | 1 | SCREW M5X25 UNI 5931 | |
| 34 | 31000973 | 1 | O-RING D 94.92x2.62 | |
| 35 | 107143085 | 1 | LOCK PIN | |
| 36 | 31000972 | 1 | PUMP BODY | |
| 37 | 31000992 | 3 | PISTON KIT D18 | |
| 38 | 31000993 | 1 | BEARING KIT 1MM | |
| 39 | 301003137 | 1 | WOBBLE DISC 11 | |
| 40 | G030733 | 1 | HOLE PLUG. 1/8 | |
| 41 | 107143093 | 1 | SWIVEL ADAPTER 90 3/8 | |
| 42 | 301003160 | 2 | O-RING KIT | |
| 43 | 301000615 | 1 | Dæksel | |
| 44 | 301000614 | 1 | Oliebeholder | |
| 45 | 107143090 | 1 | ADAPTOR IN 3/8 OUT M18X1.5 | |
| 46 | 8298 | 1 | Spændebånd | |
| 47 | 107143031 | 1 | FUELFLEX HOSE D28/D20 10BAR/20° | |
| 48 | 106408243 | 1 | HOSE 1/4INCH TRANSPARENT - 5 METERS | |
| 49 | 106408243 | 1 | HOSE 1/4INCH TRANSPARENT - 5 METERS | |
| 50 | 101117994 | 1 | RETAINER RING Ø23 DIN 471 | |

Part Notes:

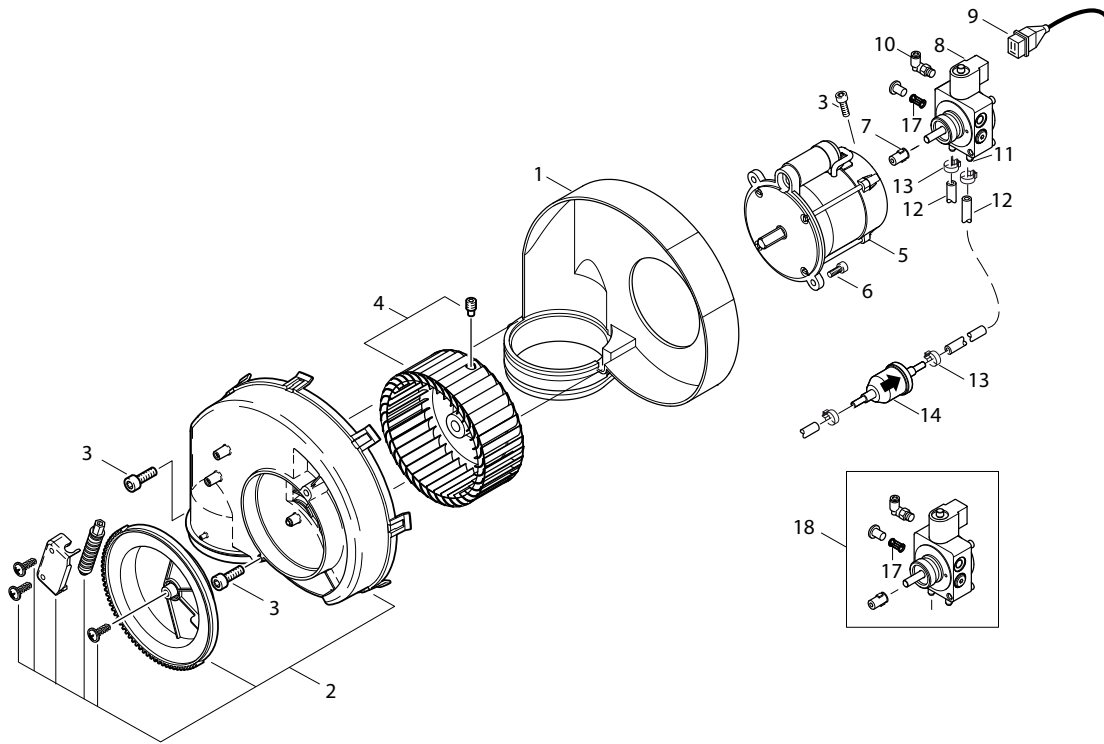
- [1] - 0,39L - OIL TYPES_QUANTITY for HPW_APRIL 2017
- [2] - TSB-PPW-2016-014 MC 3C_MH 3M Start-Stop valve 31000986 grease specification
DE TSB-PPW-2016-014 MC 3C MH 3M Start-Stopp Ventil 31000986 Schmierfett Spezifikation
- [3] - TSB-PPW-2016-014 MC 3C_MH 3M Start-Stop valve 31000986 grease specification
DE TSB-PPW-2016-014 MC 3C MH 3M Start-Stopp Ventil 31000986 Schmierfett Spezifikation



| Pos. | Vare-nr | Antal | Beskrivelse | Notes |
|------|-----------|-------|--------------------------------------|-------|
| 1 | 107143115 | 1 | PIPE FLOW CONTROL PA/BOILER B2-B2.5 | |
| 2 | 107143122 | 1 | THREADED CONNECTION D12X1/2 INCH | |
| 3 | 101117798 | 1 | Magnet Housing Cpl. Kit | |
| 4 | 107143121 | 1 | REED SWITCH NO W/CABLE | |
| 5 | 101118033 | 2 | Screw M3X6 Brass Din 84 Iso 1207 Kit | |
| 6 | 101117924 | 1 | Prop For Mpu 1/8 | |
| 7 | 1803493 | 1 | Tætningsskive f. 1/4" RG | |
| 8 | 101118196 | 1 | OPENING PRESSURE VALVE 146 BAR KIT | |
| 8 | 101118197 | 1 | OPENING PRESSURE VALVE 200 BAR KIT | |
| 9 | 1801075 | 1 | Tætningsskive 3/8" | |
| 10 | 1601079 | 1 | Ligeforskrning | |
| 11 | 107143118 | 1 | PIPE MPU/FLOW CONTROL NA4 PA | [1] |
| 11 | 107143119 | 1 | PIPE MPU/FLOW CONTROL NA5-PA/B2-B2.5 | |
| 12 | 11654 | 2 | Slangeklemme | |
| 13 | 101406100 | 1 | Kemislange, 5 Meter | |
| 14 | 101118200 | 1 | FLOW CONTROL PA 146BAR MH3 KIT | [2] |
| 14 | 101118218 | 1 | FLOW CONTROL PA 200BAR MH3 KIT | [3] |

Part Notes:

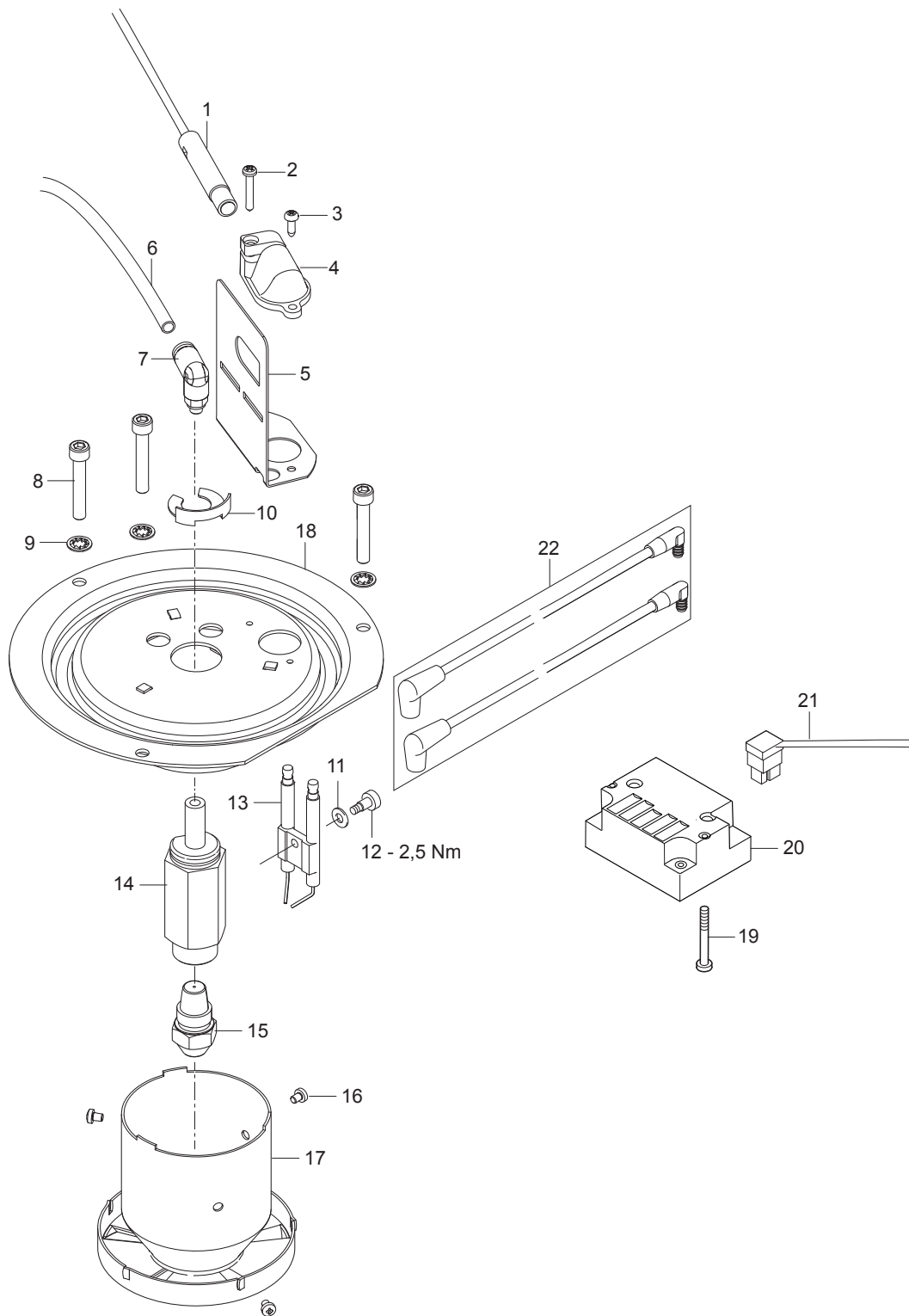
- [1] - MH 3M-100/600 PA, MH 3M-140/580 PA, MH 3M-160/770 PA
 [2] - MH 3M-100/600
 [3] - MH 3M-140/580 , MH 3M-160/770



| Pos. | Vare-nr | Antal | Beskrivelse | Notes |
|------|-----------|-------|---|-------|
| 1 | 301000495 | 1 | Kedelblæse Hus | |
| 2 | 301000852 | 1 | Dæsel For Kedelblæserhus | |
| 3 | 32535 | 3 | SCREW M5X16 | |
| 4 | 301000889 | 1 | Kedelblæsehjul | |
| 4 | 301002126 | 1 | FAN WHEEL | [1] |
| 5 | 107143096 | 1 | MOTOR BURNER - 0.23KW/230V/50HZ/1PH | |
| 5 | 107143097 | 1 | MOTOR BURNER 390W/200-240V/50/60HZ | [1] |
| 6 | 4697 | 2 | SCREW M6X16 | |
| 7 | 101117707 | 1 | Coupling For Oil Pump Bfa 01 L3L | |
| 8 | 3821089 | 1 | Spole (Danfoss) | |
| 9 | 107143095 | 1 | CABLE FOR SOLENOID VALVE 2X0.5 | |
| 10 | 101117706 | 1 | Push-In Angle Fitting | |
| 11 | 101117777 | 1 | HOSE CONNECTIONS FOR OIL PUMP BFA 01 L3 | |
| 12 | 106408244 | 1 | Slange Ø6X2.5 - 5 meter | |
| 13 | 301001133 | 2 | Slangeklemme Ø10/7 | |
| 14 | 301002926 | 1 | Filter | |
| 17 | 31001081 | 1 | FILTER FOR OIL PUMP | |
| 18 | 101117673 | 1 | Oilepumpe Incl. Fittings | |

Part Notes:

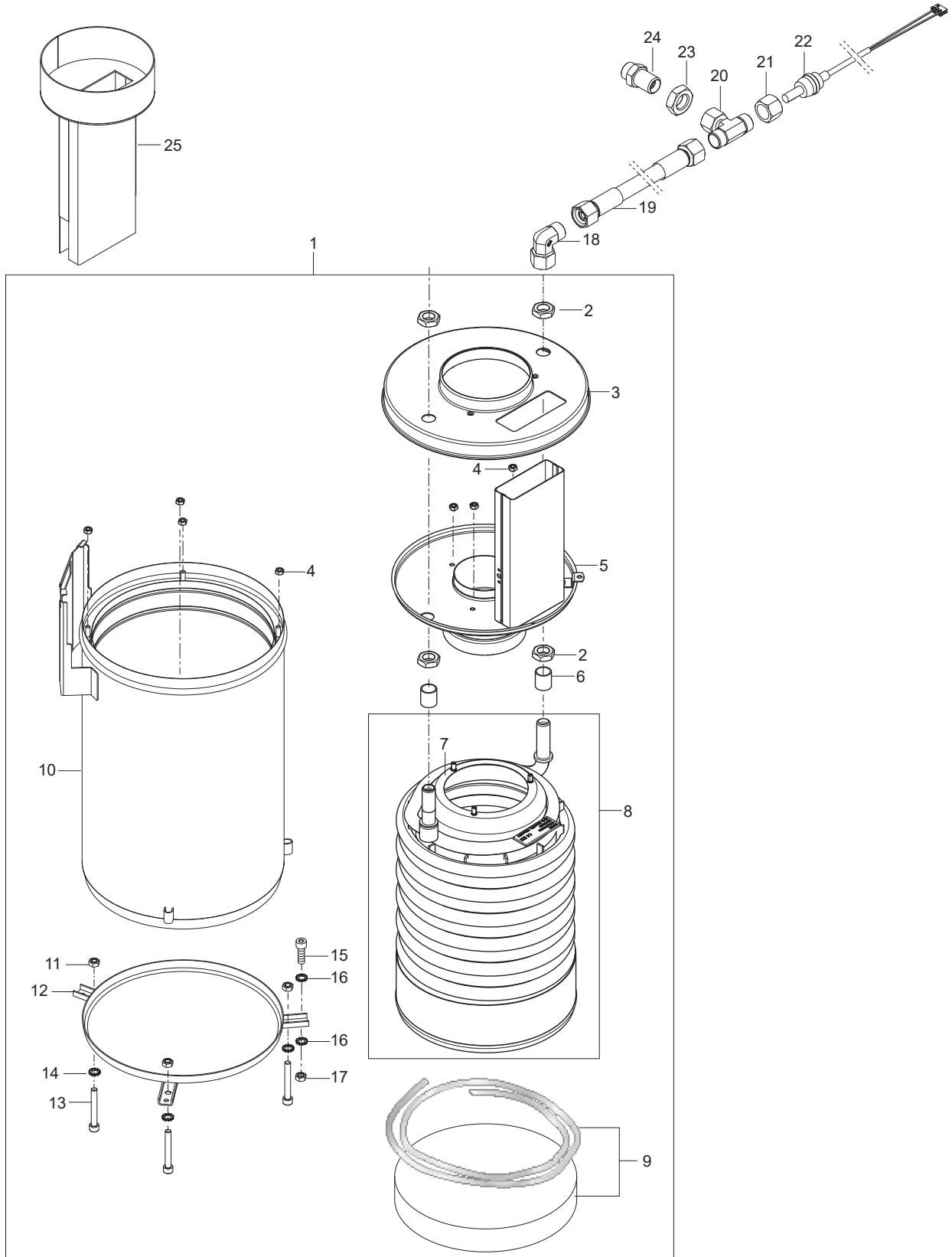
[1] - JP, EXPT



| Pos. | Vare-nr | Antal | Beskrivelse | Notes |
|------|-----------|-------|---------------------------------|-------|
| 1 | 107143100 | 1 | FLAME SENSOR WITH CABLE | |
| 2 | 5606 | 1 | Metal Skrue | |
| 3 | 4036 | 1 | Skrue 2,9X9,5 | |
| 4 | 301000934 | 1 | Holder Flammeføler | |
| 5 | 107143101 | 1 | SHIELD FOR FLAME SENSOR | |
| 6 | 909100141 | 1 | Slange | |
| 7 | 101117913 | 1 | Elbow 4/M5 Push-In | |
| 8 | 3873 | 3 | SCREW M5X30 | |
| 9 | 3376 | 3 | Låseskive | |
| 10 | 101117876 | 1 | Circlips | |
| 11 | 909100144 | 1 | Fjederskive | |
| 12 | 909100143 | 1 | Skrue | |
| 13 | 301150009 | 1 | Tændelegte | |
| 14 | 101117915 | 1 | Oil Nozzle Holder | |
| 15 | 61659 | 1 | Oil Nozzle 1,25/H 60° | [1] |
| 15 | 2802712 | 1 | Oliedyse | [2] |
| 15 | 301002856 | 1 | Oliedyse 0.75 60 Deg. | [3] |
| 16 | 51848 | 3 | Skrue | |
| 17 | 107143102 | 1 | AIR DISTRIBUTOR CPL. | [1] |
| 17 | 101117758 | 1 | Air Distributor | [2] |
| 17 | 301002848 | 1 | AIR DISTRIBUTOR D80 X 71.3 | [3] |
| 17 | 107145775 | 1 | AIR DISTRIBUTOR Ø 77.5 | [4] |
| 18 | 101117757 | 1 | COVER FOR BOILER COMPLETE | |
| 19 | 909100149 | 2 | Skrue 5X50 | |
| 20 | 101117759 | 1 | Tændtransformer 220-240V | |
| 21 | 107143098 | 1 | PRIMARY CABLE FOR IGNITION COIL | |
| 22 | 101118220 | 1 | 2 X IGNITION CORDS KIT | |

Part Notes:

- [1] - 66kW
- [2] - 51kW
- [3] - 40kW
- [4] - to be used on B2.5 where the location is higher than 1000m above see level



| Pos. | Vare-nr | Antal | Beskrivelse | Notes |
|------|-----------|-------|--|-------|
| 1 | 107143104 | 1 | HEAT EXCHANGER B2, MH | |
| 1 | 107143106 | 1 | HEAT EXCHANGER B2 SS, MH | |
| 2 | 7012 | 4 | Møtrik | |
| 3 | 101117768 | 1 | BOILER COVER OUTER | |
| 4 | 12263 | 4 | HEXAGON NUT M6 | |
| 5 | 31001045 | 1 | INSIDE BOILER TOP B2 | |
| 6 | 301000582 | 2 | BUSHING Ø22X1.5X24 | |
| 7 | 31000527 | 1 | SHIELDING CONE FOR BOILER N2 | |
| 8 | 31001046 | 1 | COIL WELDED B2 | |
| 8 | 107145351 | 1 | STAINLESS COIL | |
| 9 | 101117684 | 1 | Isolation Kit NEPTUNE 2 | |
| 10 | 31001047 | 1 | BOILER JACKET B2 | |
| 11 | 2758 | 3 | Møtrik M8 | |
| 12 | 31001044 | 1 | BOTTOM PLATE WELDED B2/2.5 | |
| 13 | 3453 | 3 | SCREW M8X60 | |
| 14 | 1810274 | 3 | Stjerneskiye M8 | |
| 15 | 4697 | 3 | SCREW M6X16 | |
| 16 | 107143146 | 6 | WASHER SERRATED M6 | |
| 17 | 11619 | 3 | Møtrik M6 | |
| 18 | 101118094 | 1 | COUPLING KIT 90D ISO 8434 M18X1.5 THREAD | |
| 19 | 107143067 | 1 | HP HOSE 5/16 DN8 BLACK W/2X DKL | |
| 20 | 101118093 | 1 | T-FITTING M18 X 1.5 THREAD | |
| 21 | 1081 | 1 | Tilslutningsmøtrik, Galv. | |
| 22 | 107143083 | 1 | TEMPERATUR SENSOR PT100 W/CABLE | |
| 23 | 1803220 | 1 | Kontramøtrik M18X1,5 | |
| 24 | 107143082 | 1 | OUTLET FITTING | |
| 25 | 106403197 | 1 | Skorstens-adapter | [1] |

Part Notes:

[1] - NEVER LAUNCHED

| Pos. | Vare-nr | Antal | Beskrivelse | Notes |
|------|-----------|-------|---------------------------------------|-------|
| C | 107145780 | 1 | WHEEL CAP FOR WHEEL Ø300X65 - NILFISK | |
| C | 46363 | 1 | Låsering Ø25 | |
| C | 107145637 | 1 | WHEEL D300X65 | |
| C | 107143304 | 1 | WHEEL D250 HEAVY LOAD W/CAP | |
| B | 106408244 | 1 | Slange Ø6X2.5 - 5 meter | |
| A | 301002926 | 1 | Filter | |
| A | 101117784 | 1 | Svømmerventil | |
| A | 34218 | 1 | Filter For Float Valve Ku | |
| B | 106403194 | 1 | Filter til svømmertank | |
| C | 31000993 | 1 | BEARING KIT 1MM | |
| C | 301003137 | 1 | WOBBLE DISC 11 | |
| C | 301003139 | 1 | Skråskive 13 | |
| B | 301003078 | 1 | Oil Seal | |
| C | 107145038 | 1 | FAN INCL. SEAL V-RING | |
| C | 31001006 | 1 | MOTOR NA4 - 2.2KW/230V/50HZ/1PH | |
| C | 31001010 | 1 | MOTOR NA4 - 2.8KW/230/400V/50HZ/3PH | |
| A | 31000576 | 1 | VALVE KIT 6 PCS | |
| A | 31000978 | 1 | REGULATION SAFETY BLOCK | |
| A | 31001037 | 1 | SWITCHBOX ASSEMBLED WITH CABLE | |
| A | 31000986 | 1 | PISTON KIT FOR MICROSWITCH | |
| A | 31000987 | 1 | Fitting kit til microswitch | |
| A | 31000988 | 1 | INJECTOR | |
| A | 31000989 | 1 | O-RING KIT FOR INJECTOR | |
| A | 301003032 | 1 | O-Ring Regulation Safety | |
| A | 301003042 | 1 | Pakningssæt POSEIDON 4 | |
| A | 31000992 | 1 | PISTON KIT D18 | |
| A | 107143088 | 1 | O-RING 18.72X2.62 | |
| A | 101117798 | 1 | Magnet Housing Cpl. Kit | |
| A | 107143121 | 1 | REED SWITCH NO W/CABLE | |
| B | 101118196 | 1 | OPENING PRESSURE VALVE 146 BAR KIT | |
| B | 101118197 | 1 | OPENING PRESSURE VALVE 200 BAR KIT | |
| B | 101118198 | 1 | OPENING PRESSURE VALVE 250 BAR KIT | |
| A | 106403194 | 1 | Filter til svømmertank | |
| A | 31001100 | 1 | FILTER CARTRIDGE WITHOUT FLANGE | |
| C | 107143044 | 1 | PCBA UI LED | |
| C | 28877 | 1 | Switch | |
| A | 107143151 | 1 | PCBA MH | |
| C | 107143051 | 1 | POWER TRANSFORMER 230/400V 2X24V | |
| C | 107143064 | 1 | POWER TRANSFORMER 220-240V/440-460V | |
| C | 107143068 | 1 | POWER TRANSFORMER 115 / 200V | |
| B | 107307326 | 1 | EARTH CONNECTOR 6 PIN | |
| B | 103822313 | 1 | Contactora 12-25A 50/60Hz 24V | |
| B | 103822316 | 1 | CONTACTOR CJX2-D32-F7 110V | |
| B | 103822327 | 1 | Relæ 12-18 Amp | |
| B | 107141729 | 1 | START RELAY RVAH4AH3C | |
| C | 107141619 | 1 | CAPACITOR 170MF | |
| C | 107143065 | 1 | CAPACITOR 70UF 400/450V | |
| C | 301002320 | 1 | Kondensator | |
| C | 107143098 | 1 | PRIMARY CABLE FOR IGNITION COIL | |
| C | 101118220 | 1 | 2 X IGNITION CORDS KIT | |
| B | 107143100 | 1 | FLAME SENSOR WITH CABLE | |
| A | 301002856 | 1 | Oliedyse 0.75 60 Deg. | |
| A | 2802712 | 1 | Oliedyse | |
| A | 61659 | 1 | Oil Nozzle 1,25/H 60° | |
| C | 101117723 | 1 | Flammesensor Neptun 2 | |
| A | 101117684 | 1 | Isolation Kit NEPTUNE 2 | |
| A | 101117673 | 1 | Oilepumpe Incl. Fittings | |
| B | 3821089 | 1 | Spole (Danfoss) | |
| B | 107143095 | 1 | CABLE FOR SOLENOID VALVE 2X0.5 | |

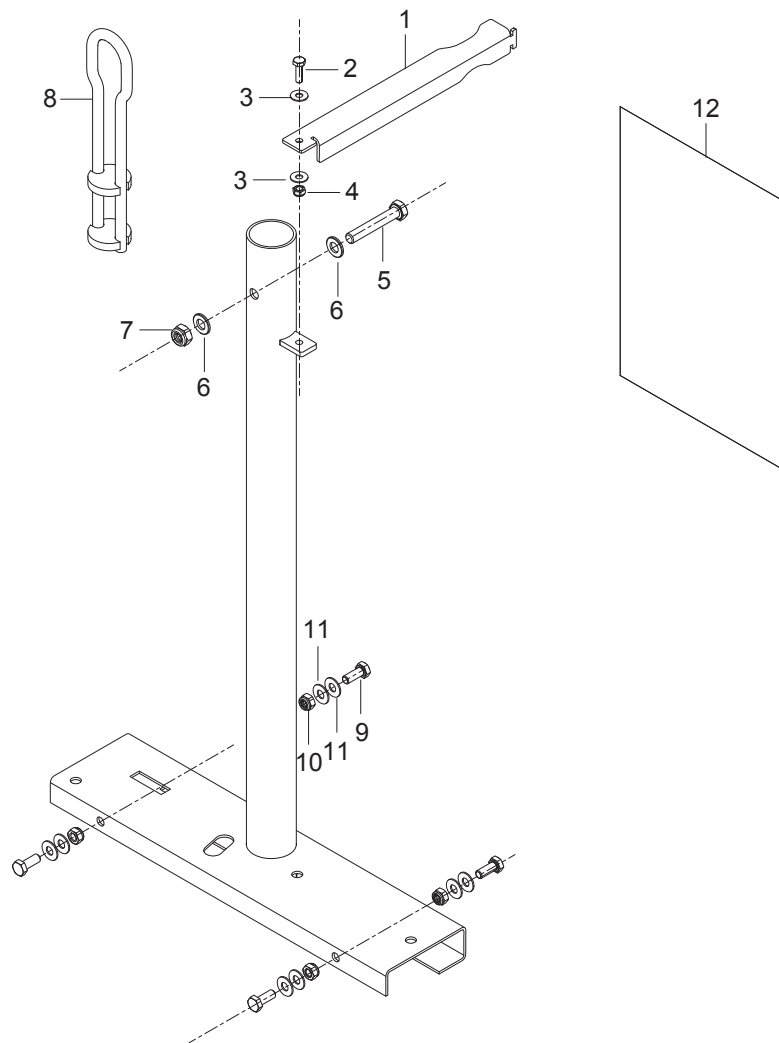
Recommended spare parts

MH 3M-140/580

2014.11.27

2017.04.27

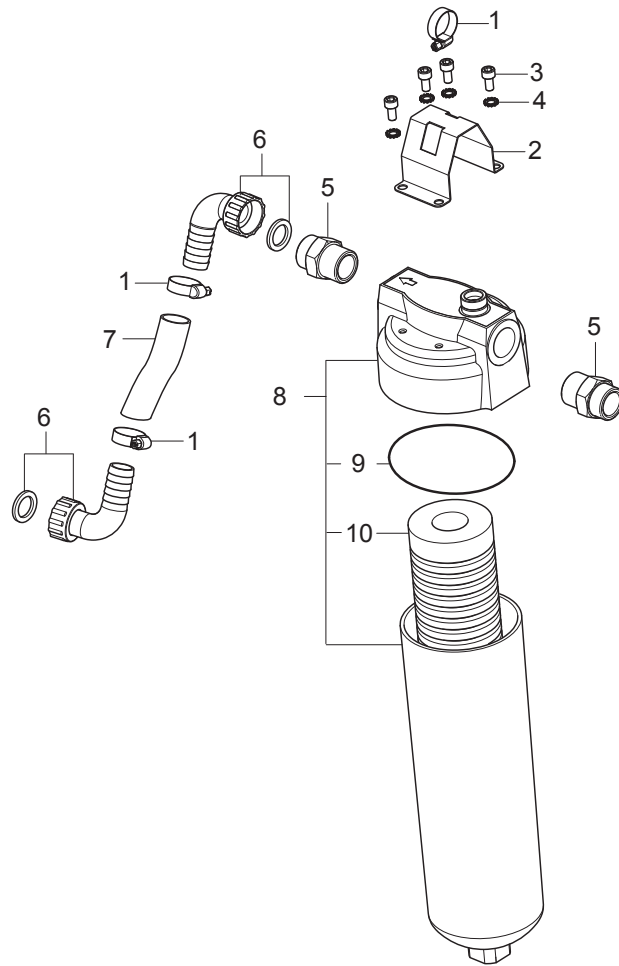
| Pos. | Vare-nr | Antal | Beskrivelse | Notes |
|-------------|----------------|--------------|--|--------------|
| A | 107143020 | 1 | SWIVEL FOR HOSE REEL | |
| A | 62696 | 1 | Møtrik | |
| A | 107143017 | 1 | BACK-UP RING | |
| A | 19620 | 1 | O-ring | |
| A | 1802057 | 1 | Circlip external 20x1.2 Spring steel, bl | |



| Pos. | Vare-nr | Antal | Beskrivelse | Notes |
|------|-----------|-------|--------------------------------|-------|
| 0 | 106403199 | 1 | Løfteskrog | |
| 1 | | 1 | Fixation for Pole | |
| 2 | 106268067 | 1 | SCREW KIT | |
| 3 | 1800440 | 2 | Plansskive M6 | |
| 4 | 11619 | 1 | Møtrik M6 | |
| 5 | 8928 | 1 | HEX. SCREW M10X60 ISO 4017 ZN | |
| 6 | 1800317 | 2 | Underlagsskive Encore 26/28/30 | |
| 7 | 8952 | 1 | Møtrik Sekskantet M10 | |
| 8 | 301001090 | 1 | Løfteudstyr m. bolte og skruer | |
| 9 | 2753 | 4 | Skruer | |
| 10 | 1800515 | 4 | Låsemøtrik M8 | |
| 11 | 1800796 | 8 | Skive M8 | |
| 12 | | 1 | Mounting instruction | [1] |

Part Notes:

[1] - Mounting instructions 3-4MH Nilfisk Lifting device



| Pos. | Vare-nr | Antal | Beskrivelse | Notes |
|------|-----------|-------|--|-------|
| 0 | 106403181 | 1 | Sandfilter tilslutning | |
| 1 | 8298 | 3 | Spændebånd | |
| 2 | | 1 | Bracket for sandfilter | |
| 3 | 3913 | 4 | Skruer M6X12 | |
| 4 | | 4 | Washer Serrated M6 - 6.4x11 DIN 6798A | |
| 5 | 1605989 | 2 | "Brystnippel 3/4" Han " | |
| 6 | 107143084 | 2 | HOSE COUPLING 90° 20X3/4 PP W/NUT/GASKET | |
| 7 | 107143031 | 1 | FUELFLEX HOSE D28/D20 10BAR/20° | |
| 8 | 1604461 | 1 | Universal filter u. beslag max. 38°C | |
| 9 | 3004248 | 1 | O-Ring F. Sandfilter | |
| 10 | 1104041 | 1 | Løs filterindsats (50 µm) | |
| | | 1 | Mounting instruction SANDFILTER | [1] |

Part Notes:

[1] - Mounting instructions MH Nilfisk Sandfilter

