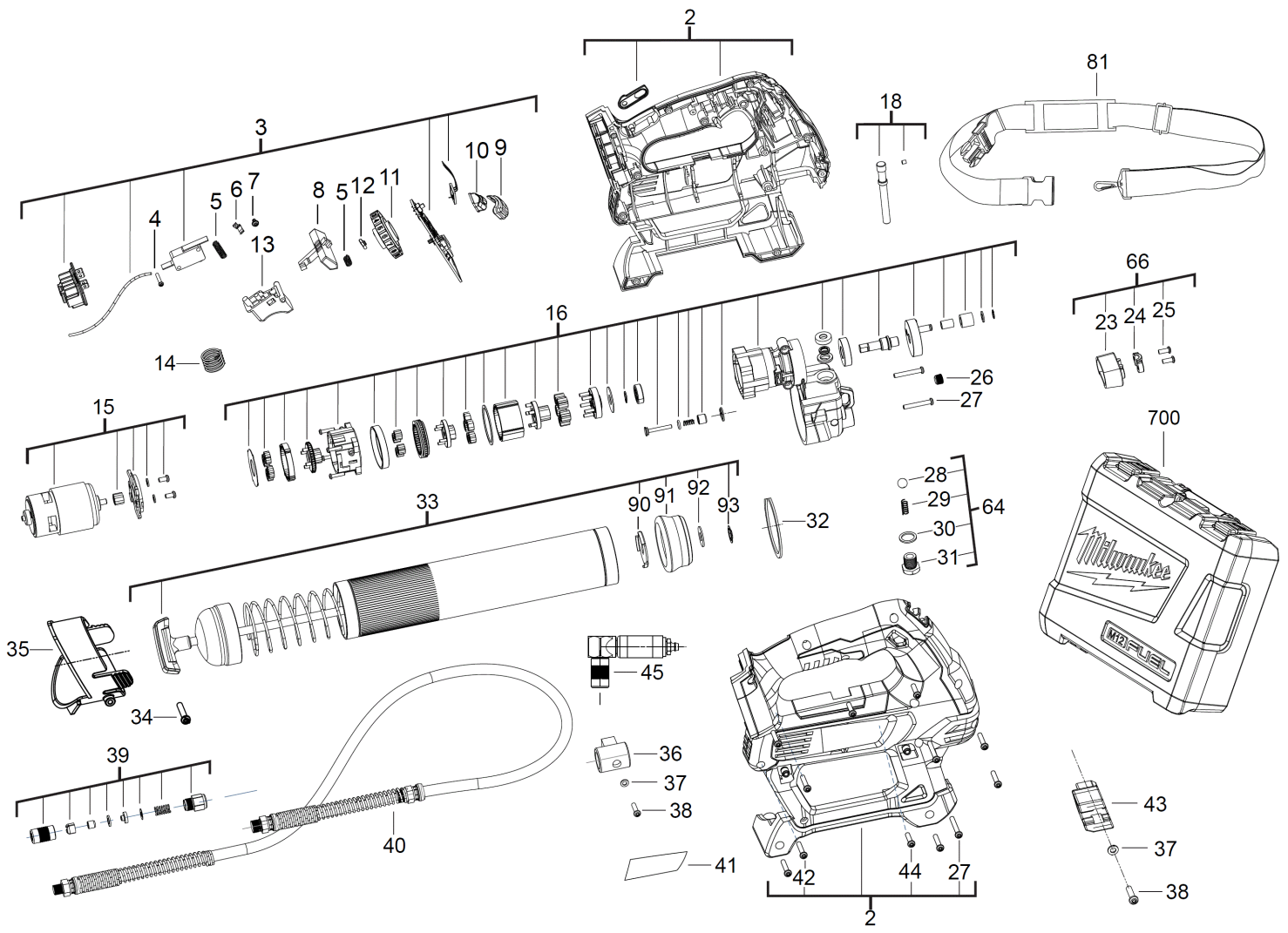


# **M18GG-0 GREASE GUN XXX**

**4933440493 - M18GG - 4000440426**



Position	Quantity	Description	Part number	EAN
0002	1	GEAR BOX HOUSING	4931435868	4002395871346
0003	1	SWITCH	4931435867	4002395869206
0004	1	SCREW	661047001	4002395824496
0005	2	SPRING	4931435866	4002395871384
0006	1	PUNCH	4931447109	4002395253289
0007	1	SCREW	4931447933	4002395253296
0008	1	HEAD	4931447934	4002395253906
0009	1	COVER	4931435840	4002395871360
0010	1	COVER	4931435841	4002395871391
0011	1	SET WHEEL	4931435842	4002395868605
0012	1	SPRING	4931435843	4002395868612
0013	1	SWITCH BUTTON	4931435844	4002395869985
0014	1	PRESSURE SPRING	4931408243	4002395814466
0015	1	MOTOR ASSEMBLY	4931435845	4002395868629
0016	1	GEAR BOX HOUSING	4931435846	4002395868636
0018	1	PISTON	4931435847	4002395868650
0023	1	YOKE	4931435848	4002395869947
0024	1	YOKE	4931435849	4002395869954
0025	2	SCREW	4931435850	4002395869299
0026	1	BOLT SET	4931435650	4002395862948
0027	4	SCREW	4931435023	4002395857302
0028	1	BALL	4931435654	4002395862986
0029	1	SPRING	4931435655	4002395862993
0030	1	WASHER	4931435656	4002395863600
0031	1	SCREW	4931435657	4002395863617
0032	1	GASKET	4931435852	4002395868667
0033	1	SPINDLE SLEEVE	4931435853	4002395868674
0034	1	SCREW	4931441513	4002395869381
0035	1	DISTANCE PIECE	4931435854	4002395868681
0036	1	HOLSTER	4931435855	4002395868698
0037	2	PROTECTION WASHER	680866003	4002395823895
0038	2	SCREW	4931435856	4002395869909
0039	1	COUPLING	4931435857	4002395869305
0040	1	HOSE	4931435858	4002395869312
0041	1	NAME PLATE	4931435859	4002395871292
0042	7	SCREW	4931435860	4002395869916
0043	1	HOLDER	4931435861	4002395869329
0044	3	SCREW	660024030	4002395826957
0045	1	ADAPTER	4931435862	4002395869336
0064	1	SWITCH SCREW	4931435863	4002395869923
0066	1	YOKE	4931435864	4002395869961
0081	1	STRAP	4931435865	4002395869343
0090	1	STAMP	4931435636	4002395862207
0091	1	RUBBER CAP	4931435637	4002395862214
0092	1	WASHER	4931435638	4002395862221
0093	1	NUT	4931435672	4002395864362
0700	1	CARRYING CASE	4931435851	4002395871377