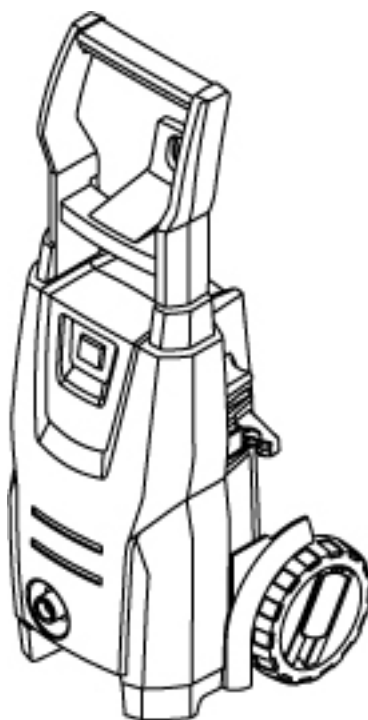


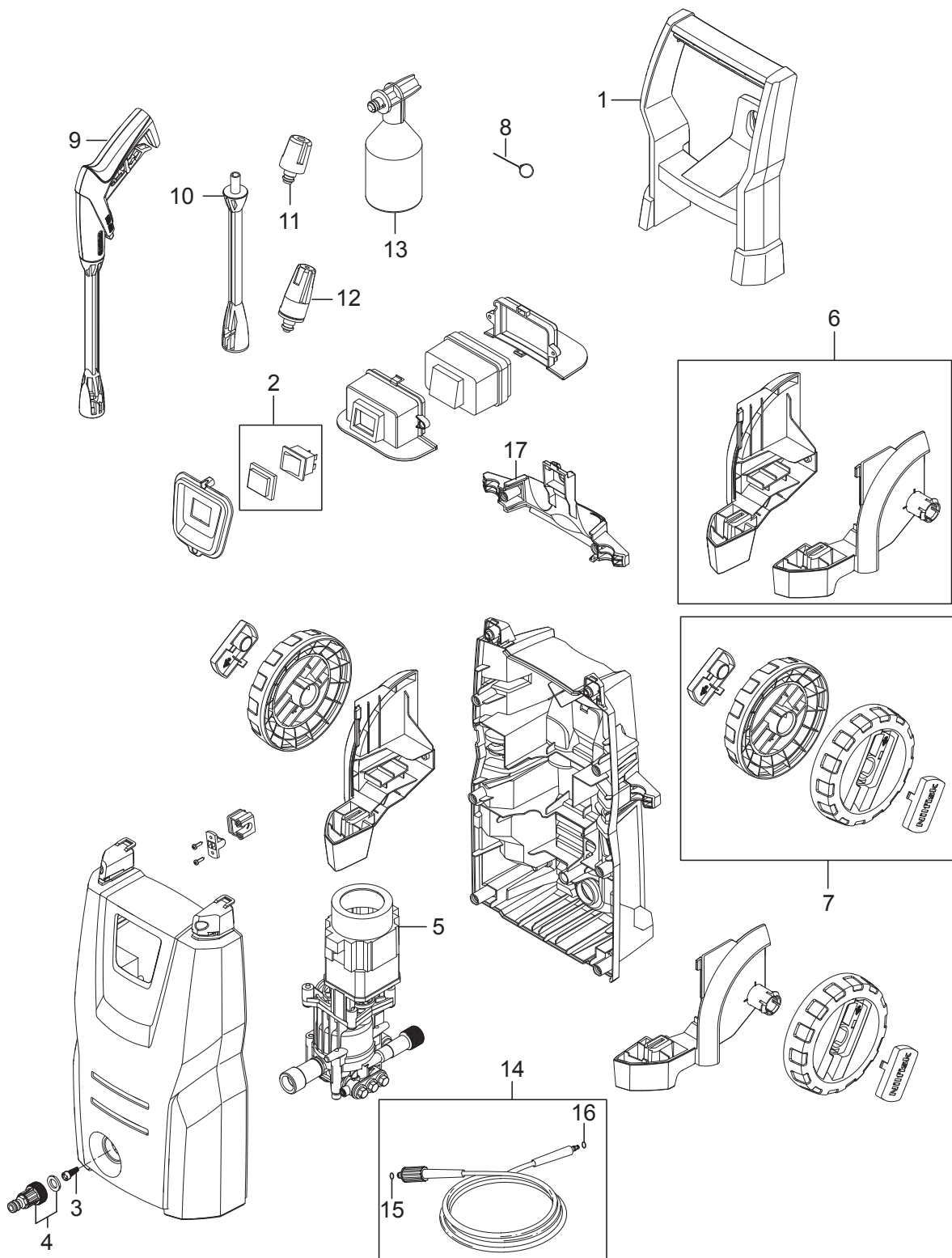
PARTS LIST



2017.03.16

TABLE OF CONTENTS

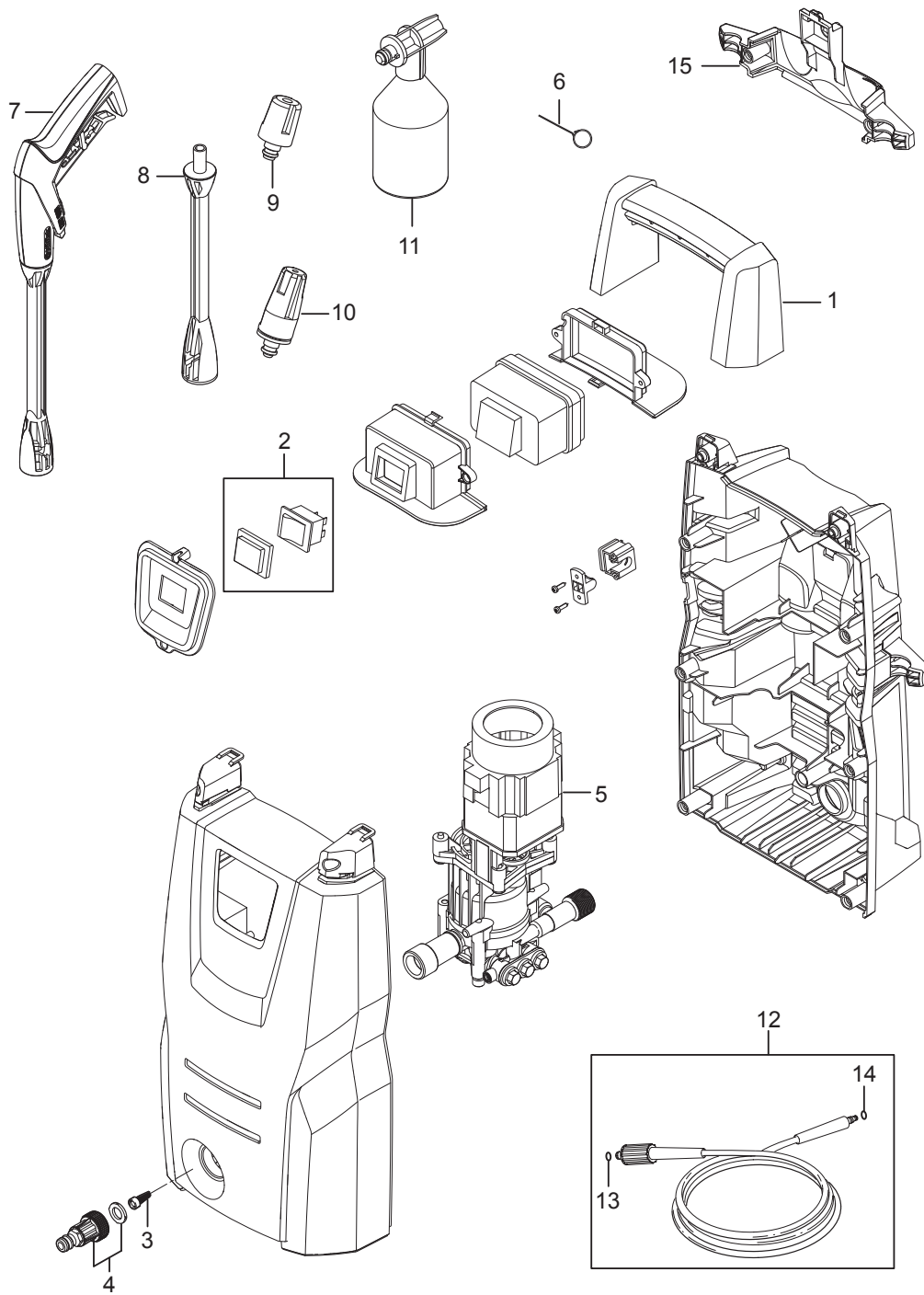
Overview	1
Overview EU	3
Motor pump	5



Pos.	Vare-nr	Antal	Beskrivelse	Notes
0	128500914	1	10 PCS 4C BOX C 110.7	
1	31001109	1	Håndtag medium inkl. 2 skruer	
2	126486831	1	Switch	
3	6481094	1	Filter	
4	1402809	1	Lynkoblingsstuds	
5		1	Motor	[1]
6	31001110	1	WHEEL BRACKET KIT SMALL	
7	31000521	1	Hjul kit (2 stk.)	
8	6520844	1	Rensenål sort	
9	128500908	1	Spulehåndtag G1	
10	128500073	1	Click&Clean mellemrør G2	
11	126481122	1	Click&Clean Tornado dyse (turkis)	
12	128500298	1	Click&Clean Powerspeed dyse	
13	128500077	1	Click&Clean skumsprayer med dunk	
14	31001107	1	Højtryksslange 5 m	
14	128500965	1	HOSE PU 6M	[2]
15	3001211	1	O-ring 9,6 x 2,4 Nitril	
15	6411218	1	O-ringe (10 stk. i pose)	
16	3004304	1	O-ring	
17	31001128	1	ACCESSORY BRIDGE KIT SMALL	

Part Notes:

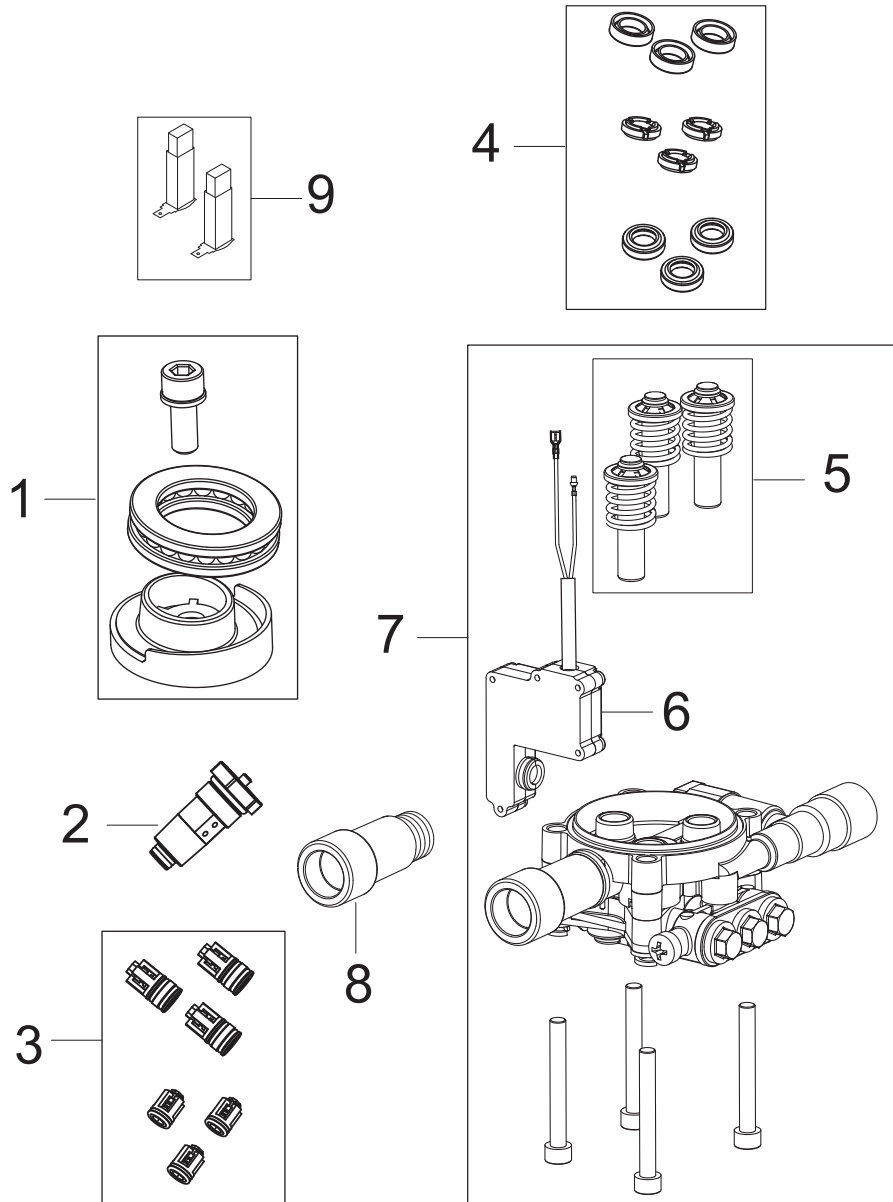
- [1] - Motor pump
 [2] - SGP



Pos.	Vare-nr	Antal	Beskrivelse	Notes
0	128500913	1	10 PCS 4C BOX C 105.7	
1	31001101	1	HANDLE SMALL INCL 2 SCREWS	
2	126486831	1	Switch	
3	6481094	1	Filter	
4	1402809	1	Lynkoblingsstuds	
5		1	Motor	[1]
6	6520844	1	Rensenål sort	
7	128500908	1	Spulehåndtag G1	
8	128500073	1	Click&Clean mellemrør G2	
9	126481122	1	Click&Clean Tornado dyse (turkis)	
10	128500298	1	Click&Clean Powerspeed dyse	
11	128500077	1	Click&Clean skumsprayer med dunk	
12	31001107	1	Højtryksslange 5 m	
12	128500965	1	HOSE PU 6M	[2]
13	6411218	1	O-ringe (10 stk. i pose)	
13	3001211	1	O-ring 9,6 x 2,4 Nitril	
14	3004304	1	O-ring	
15	31001128	1	ACCESSORY BRIDGE KIT SMALL	

Part Notes:

- [1] - Motor pump
 [2] - SGP



Pos.	Vare-nr	Antal	Beskrivelse	Notes
1	31000519	1	WOBBLE DISC KIT	
2	31001106	1	START STOP SYSTEM SMALL	
3	31000518	1	Ventilkit	
4	31000516	1	Pakningskit	
5	31000517	1	Stempel kit	
6	31000514	1	Microswitch	
7	31000520	1	Pumpe kit	
8	31000791	1	Vand indgang plast	[1]
9	31000832	1	Kulsæt højde 9,9mm	[2]
9	31000833	1	CARBON BRUSH KIT 2 PCS HEIGHT 11.4MM	[3]

Part Notes:

- [1] - Included in pos. 7 - 31000520 Pump kit
- [2] - C100, 105 and 110
- [3] - C120 and C125

