

STEAMTEC 312, 520, 51H

Model:

STEAMTEC 312

STEAMTEC 5 IH

STEAMTEC 520



Part List US-English

23-02-2015

Nilfisk

www.nilfisk.com

Table of Contents

STEAMTEC 312, 520, 51H

STEAMTEC 312	3
STEAMTEC 520 base	5
STEAMTEC 520 cover	7
STEAMTEC 51H base	9
STEAMTEC 51H cover	11
Accessories	13
Steam ironing station	15
Steam ironing cover	17
Steam ironing board version 2009 June	19

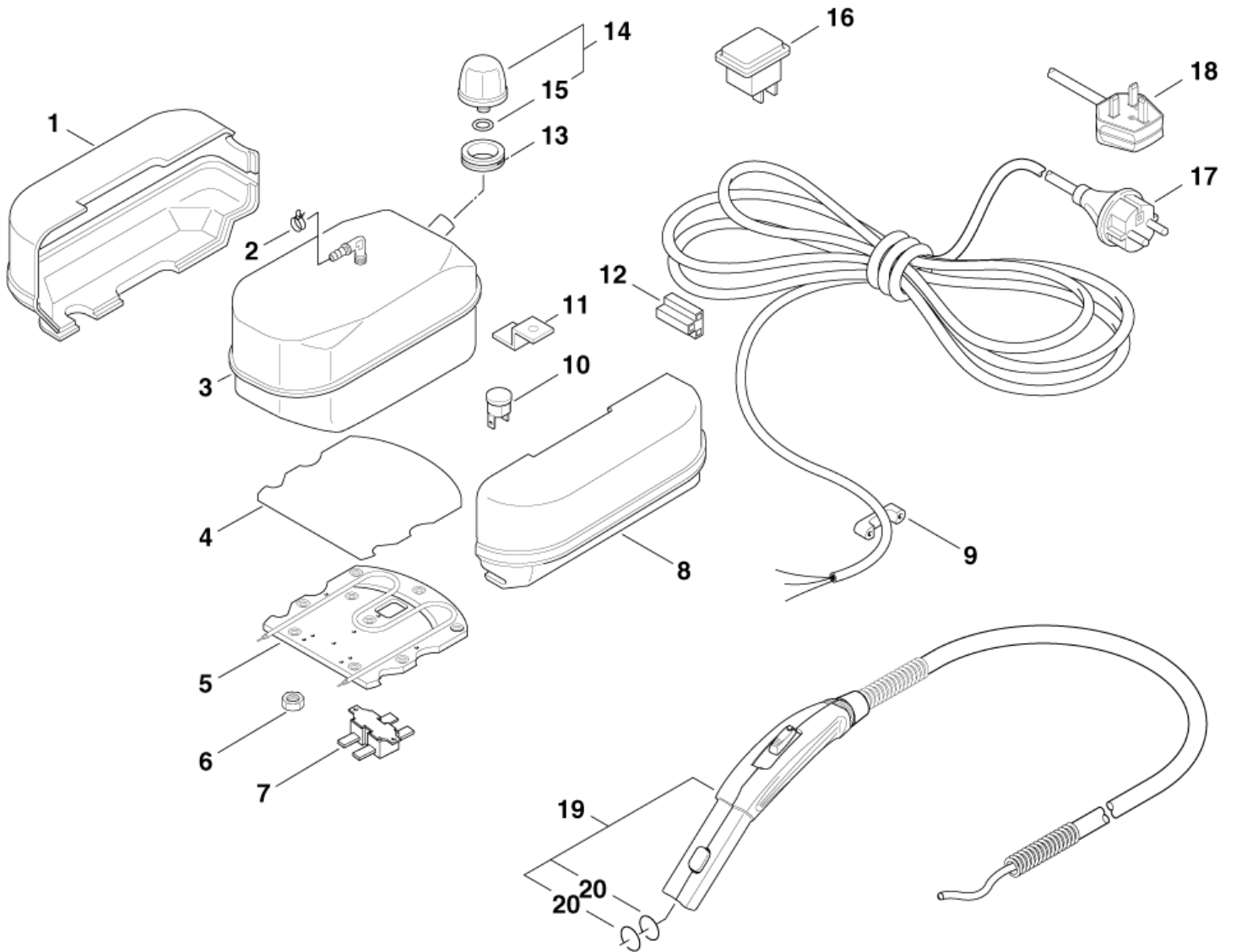
STEAMTEC 312

STEAMTEC 312, 520, 51H

23-02-2015

Part List ID
STEAMTEC02

3



STEAMTEC 312

STEAMTEC 312, 520, 51H

23-02-2015

Part List ID
STEAMTEC02

4

Pos	Part no.	Qty	Description
0	10000101	1	PACKAGING STEAMTEC 312
0	31000271	1	CARDBOARD BOX STEAMTEC 312 DK
1	303000473	1	INSULATION RIGHT
2	303000457	1	HOSE CLIP Ø 9.5-11
3	303000471	1	TANK 1.2L
4	303000461	1	GASKET 150X60X0.5
5	303000462	1	HEATER 230V 1560W
6	1804285	8	LOCK NUT M5
7	303000445	1	THERMAL CUT-OUT 180C
8	303000472	1	INSULATION LEFT
9	303000463	1	STRAP 21X8X6
10	303000460	1	THERMO SWITCH 150C
11	303000451	1	BRACKET 36X12X5
12	303000470	1	CONNECTOR HOUSING 3-POL.
13	303000447	1	GASKET Ø 34X Ø 20X12
14	303000458	1	SAFETY CAP 5.5BAR
15	3756	1	O-RING 14.0x2.5 DIN 3770 NBR70
16	303000450	1	MAIN SWITCH 16A 250V
17	303000464	1	POWER CORD H05VV-F 3X1X4 *EU*
17	303000466	1	POWER CORD H05VV-F 3X1X4 *DK*
18	303000465	1	POWER CORD H05VV-F 3X1X4 *GB,230V*
19	303000437	1	STEAM HOSE
20	12960	2	O-RING 7.65X1.78 ARP AS 568 A NBR90

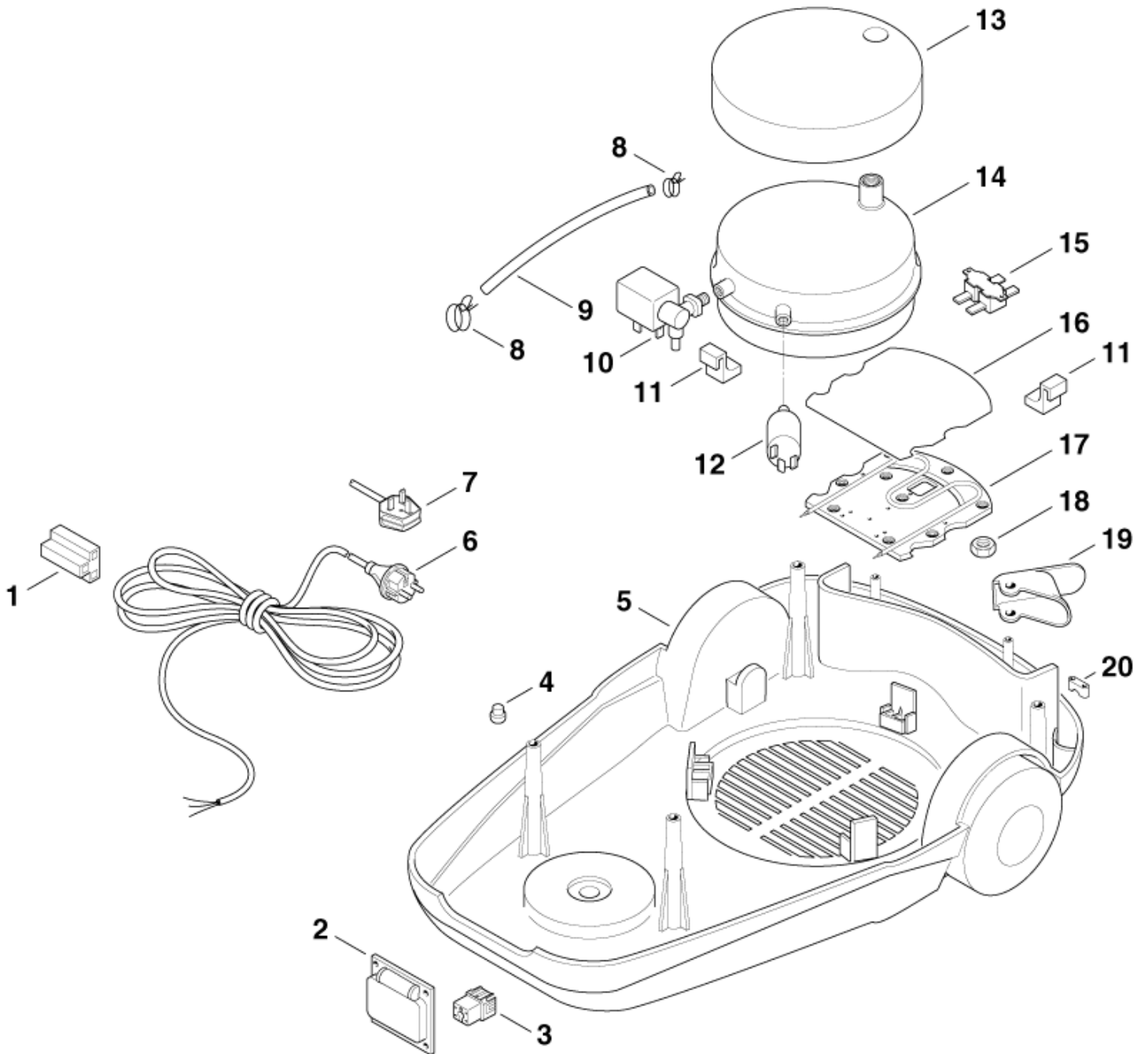
STEAMTEC 520 base

STEAMTEC 312, 520, 51H

23-02-2015

Part List ID
STEAMTEC04

5



STEAMTEC 520 base

STEAMTEC 312, 520, 51H

23-02-2015

Part List ID
STEAMTEC04

6

Pos	Part no.	Qty	Description
0	10000102	1	PACKAGING STEAMTEC 520
1	303000470	1	CONNECTOR HOUSING 3-POL.
2	303000444	1	COVER FOR SOCKET
3	303000446	1	SOCKET
4	303000448	2	DISTANCE PIECE Ø 8X4X16
5	303000478	1	BASE
6	303000464	1	POWER CORD H05VV-F 3X1X4 *EU*
6	303000466	1	POWER CORD H05VV-F 3X1X4 *DK*
7	303000465	1	POWER CORD H05VV-F 3X1X4 *GB,230V*
8	2404	2	HOSE CLAMP Ø 12X9
9	303000443	1	HOSE Ø 4.5X190
10	303000484	1	SOLENOID VALVE Ø 5-R1/8
11	303000479	3	BRACKET 22X22X20
12	303000476	1	PRESSURE SWITCH 3.8BAR
13	303000438	1	ISOLATION Ø 195X45
14	303000442	1	TANK 1.5L
15	303000487	1	THERMAL CUT-OUT 180C
16	303000441	1	GASKET 135X123X0.5
17	303000440	1	HEATER 230V 1450W
18	1804285	10	LOCK NUT M5
19	303000482	2	BRACKET 76X39X21
20	303000463	1	STRAP 21X8X6

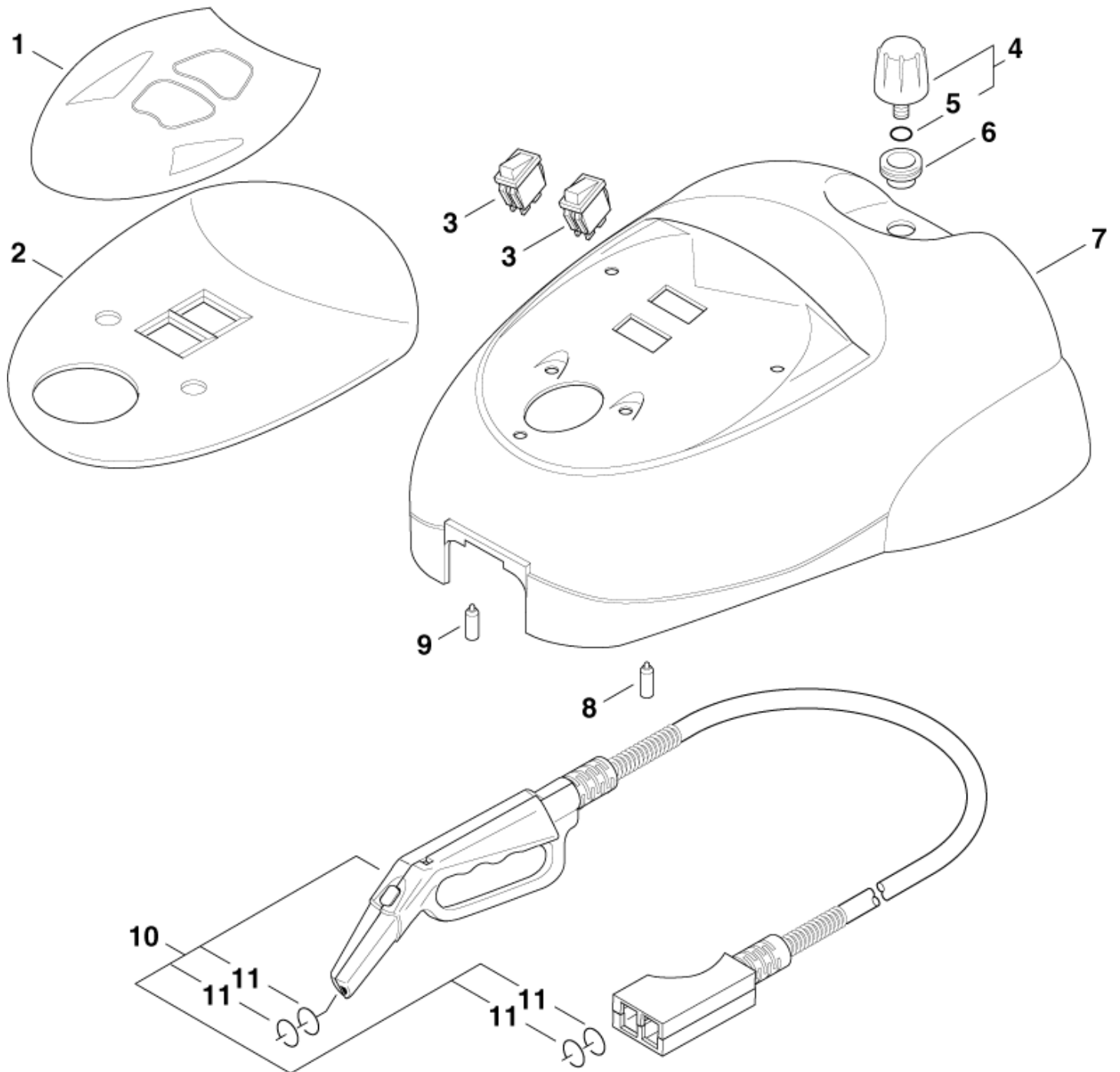
STEAMTEC 520 cover

STEAMTEC 312, 520, 51H

23-02-2015

Part List ID
STEAMTEC06

7



STEAMTEC 520 cover

STEAMTEC 312, 520, 51H

23-02-2015

Part List ID
STEAMTEC06

8

Pos	Part no.	Qty	Description
1	303000483	1	LABEL
2	303000436	1	COVER 207X158X34
3	303000477	2	MAIN SWITCH 16A 250V
4	303000458	1	SAFETY CAP 5.5BAR
5	3756	1	O-RING 14.0x2.5 DIN 3770 NBR70
6	303000447	1	GASKET Ø 34X Ø 20X12
7	303000480	1	COVER STEAMTEC 520
8	303000439	1	INDICATOR LAMP 230V -GR
9	303000469	1	INDICATOR LAMP 230V -WH
10	303000488	1	STEAM HOSE
11	12960	4	O-RING 7.65X1.78 ARP AS 568 A NBR90

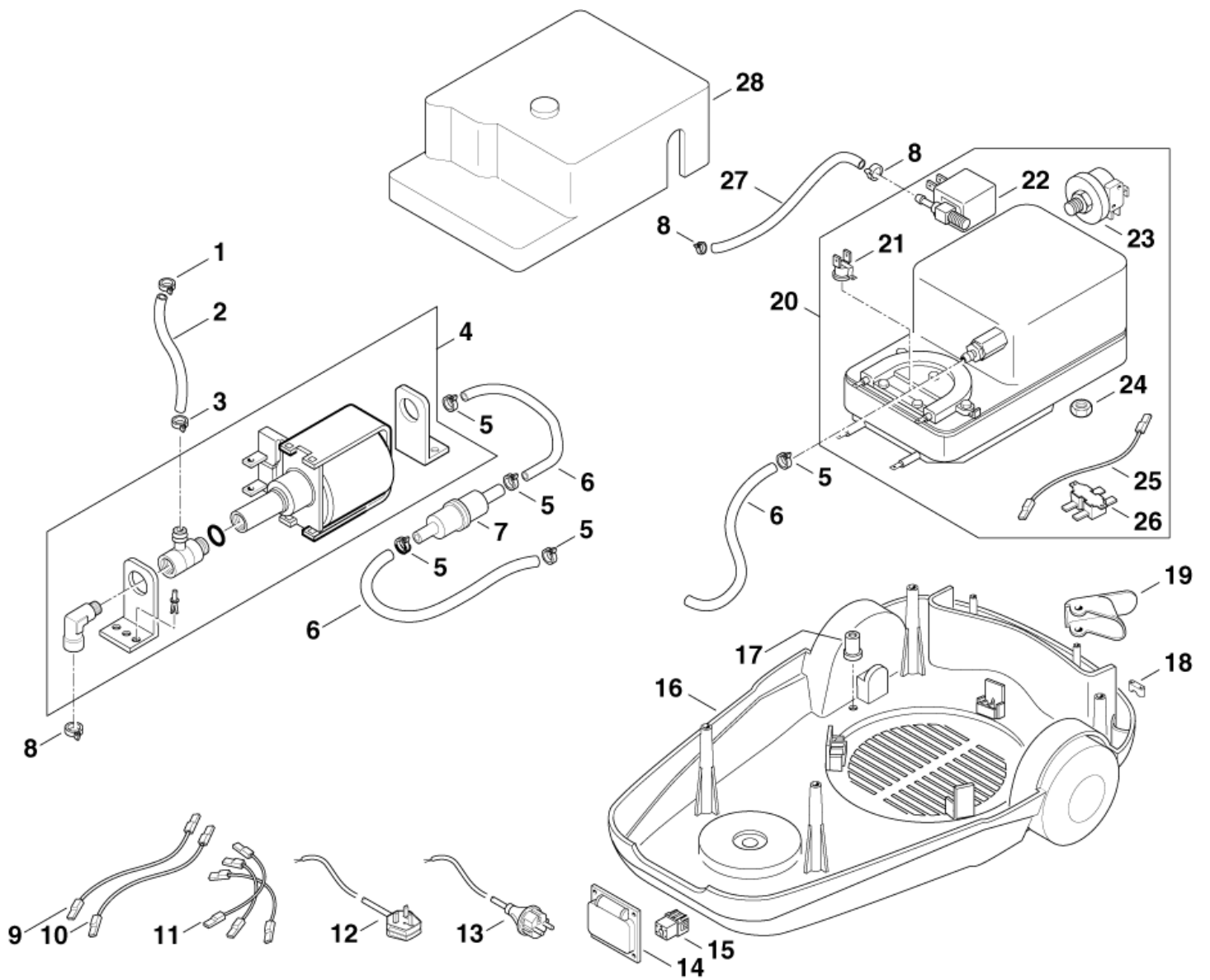
STEAMTEC 5IH base

STEAMTEC 312, 520, 51H

23-02-2015

Part List ID
STEAMTEC08

9



STEAMTEC 5IH base

STEAMTEC 312, 520, 51H

23-02-2015

Part List ID
STEAMTEC08

10

Pos	Part no.	Qty	Description	
0	10000103	1	PACKAGING STEAMTEC 5 IH	
0	31000272	1	CARDBOARD BOX STEAMTEC 51H GB	
1	303000500	1	WIRE HOSE CLAMP Ø 9	
2	303000493	1	HOSE Ø 4X2X190	
3	11860	1	HOSE CLIP Ø 9-11	
4	303000494	1	PUMP	
5	2404	5	HOSE CLAMP Ø 12X9	
6	303000490	3	HOSE Ø 5X2.5X155	
7	303000481	1	FILTER	
8	303000457	3	HOSE CLIP Ø 9.5-11	
9	303000498	1	CABLE 1X150 - BLUE	
10	303000499	1	CABLE 1X200 - BROWN	
11	303000497	1	CABLE 8X1.0MM	
12	303000465	1	POWER CORD H05VV-F 3X1X4	*GB,230V*
13	303000464	1	POWER CORD H05VV-F 3X1X4	*EU*
13	303000466	1	POWER CORD H05VV-F 3X1X4	*DK*
14	303000444	1	COVER FOR SOCKET	
15	303000446	1	SOCKET	
16	303000478	1	BASE	
17	303000486	4	DISTANCE PIECE Ø 18X20	
18	303000463	1	STRAP 21X8X6	
19	303000482	2	BRACKET 76X39X21	
20	303000495	1	TANK KIT	
21	303000459	1	THERMO SWITCH 160C	
22	303000484	1	SOLENOID VALVE Ø 5-R1/8	
23	303000456	1	PRESSURE SWITCH 3.0BAR	
24	1804285	13	LOCK NUT M5	
25	303000485	1	THERMAL CUT-OUT 240C	
26	303000487	1	THERMAL CUT-OUT 180C	
27	303000496	1	HOSE Ø 4.5X320	
28	303000501	1	ISOLATION UPPER	

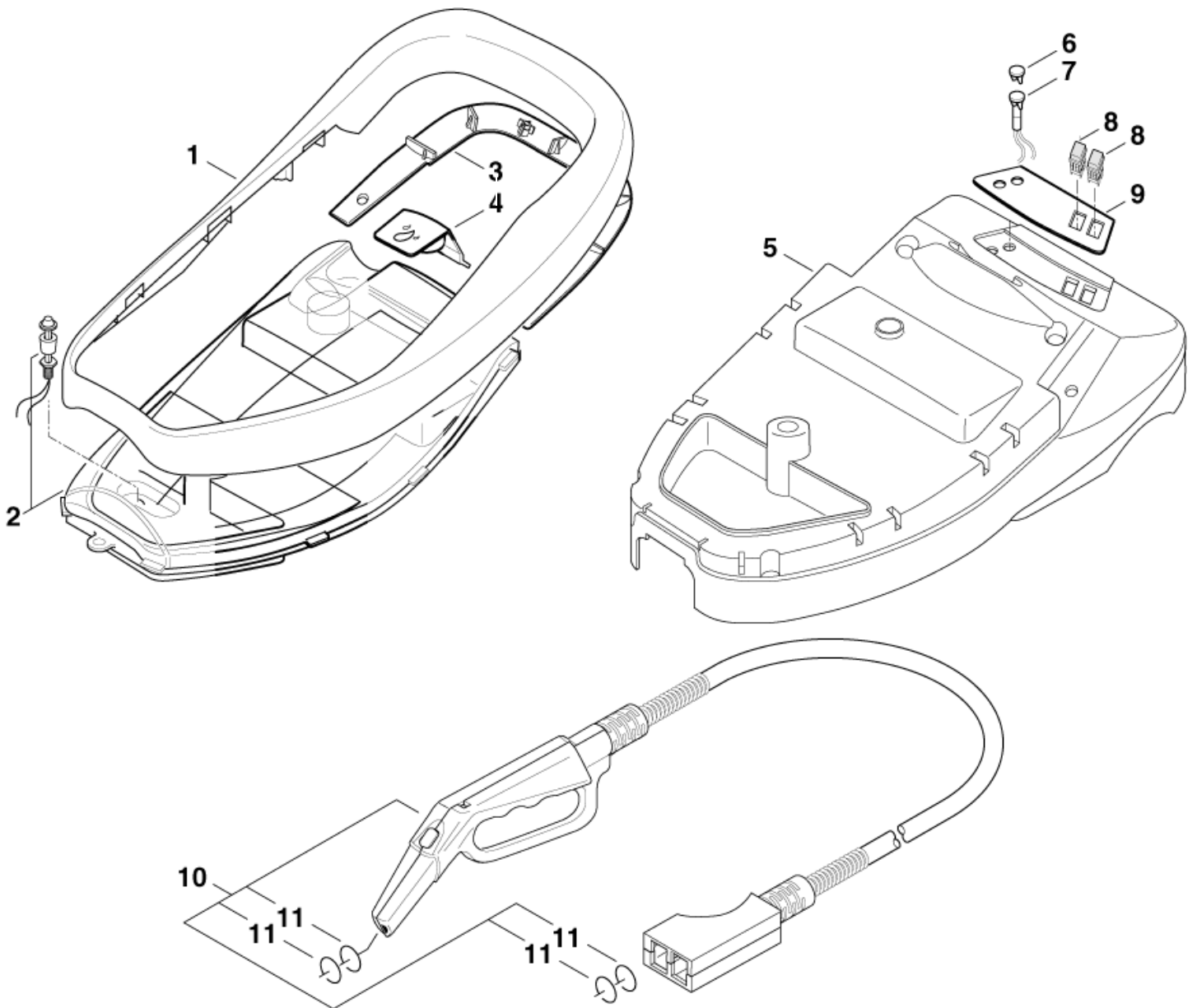
STEAMTEC 5IH cover

STEAMTEC 312, 520, 51H

23-02-2015

Part List ID
STEAMTEC10

11



STEAMTEC 5IH cover

STEAMTEC 312, 520, 51H

23-02-2015

Part List ID
STEAMTEC10

12

Pos	Part no.	Qty	Description
1	303000455	1	HANDLE
2	303000452	1	TANK 1.35L
3	303000454	1	COVER 240x175x13
4	303000453	1	COVER 65X65X26
5	303000449	1	COVER - BLUE
6	303000474	1	BRACKET
7	303000475	1	INDICATOR LAMP 110-240V
8	303000450	2	MAIN SWITCH 16A 250V
9	303000468	1	LABEL
10	303000488	1	STEAM HOSE
11	12960	4	O-RING 7.65X1.78 ARP AS 568 A NBR90

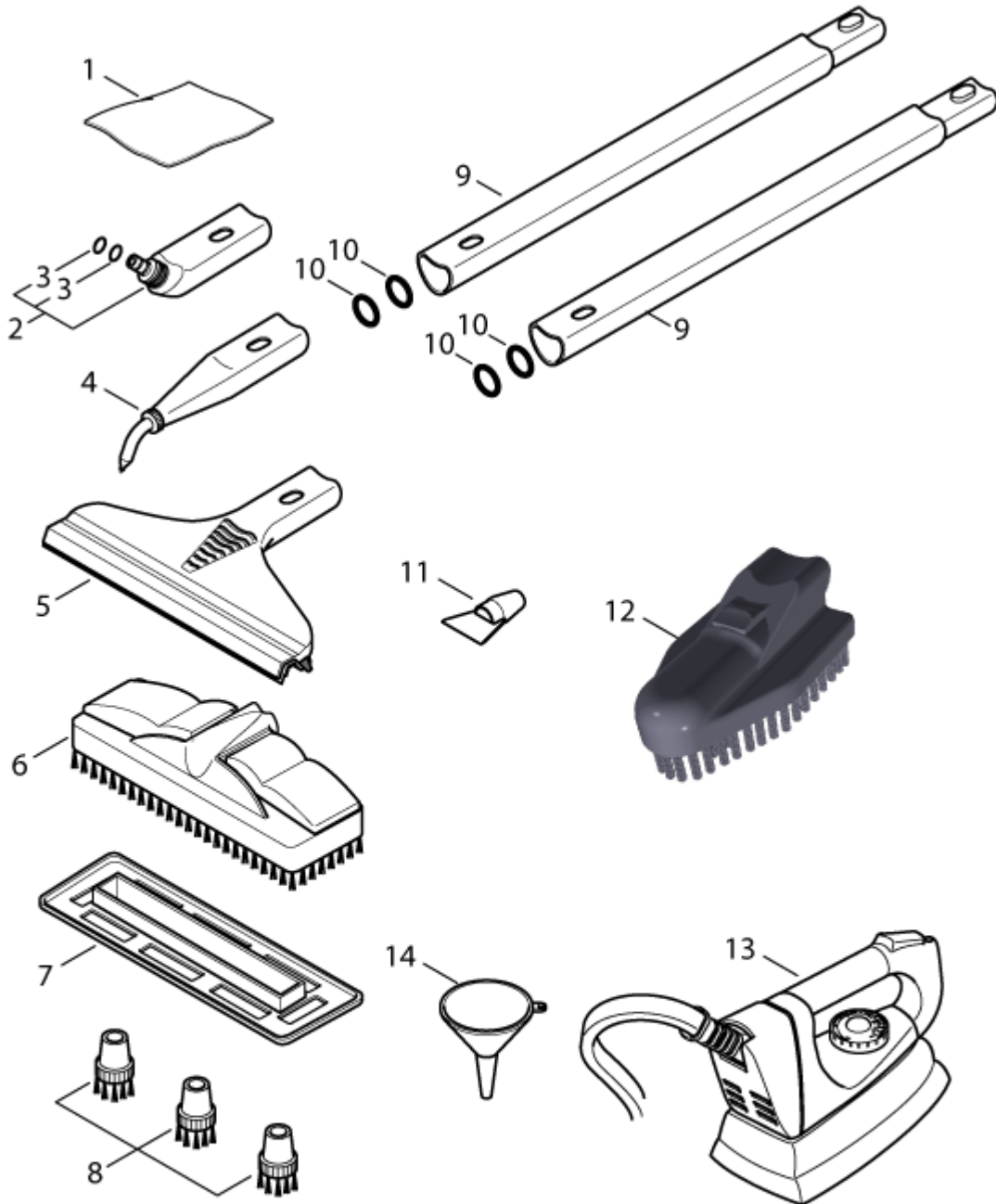
Accessories

STEAMTEC 312, 520, 51H

23-02-2015

Part List ID
STEAMTEC12

13



Accessories

STEAMTEC 312, 520, 51H

23-02-2015

Part List ID
STEAMTEC12

14

Pos	Part no.	Qty	Description	
0	303000519	1	CLOTH ACTIVE FIBRE STEAMTEC	Optional microfibre cloth for floor tool
1	303000423	1	FLOOR CLOTH 460X120X5	
2	303000424	1	ADAPTER 130X55X37	
3	9154	2	O-RING 10.82x1.78 ARP AS 568 A NBR70	
4	303000429	1	DETAIL NOZZLE STEAMTEC PA/CuZn	
5	303000426	1	WINDOW NOZZLE	
6	303000419	1	FLOOR BRUSH	
7	303000425	1	CARPET NOZZLE	OPTION
8	303000420	1	BRUSH KIT Ø23 STEAMTEC PA/CuZn	OPTION
9	303000521	2	EXTENSION PIPE STEAMTEC	
10	12960	4	O-RING 7.65X1.78 ARP AS 568 A NBR90	
11	303000430	1	SCRAPER	OPTION
12	303000427	1	CORNER BRUSH	OPTION
13	303000407	1	STEAM IRON 230/1/50	STEAMTEC 520, OPTION STEAMTEC 51H
14	303000428	1	FUNNEL	

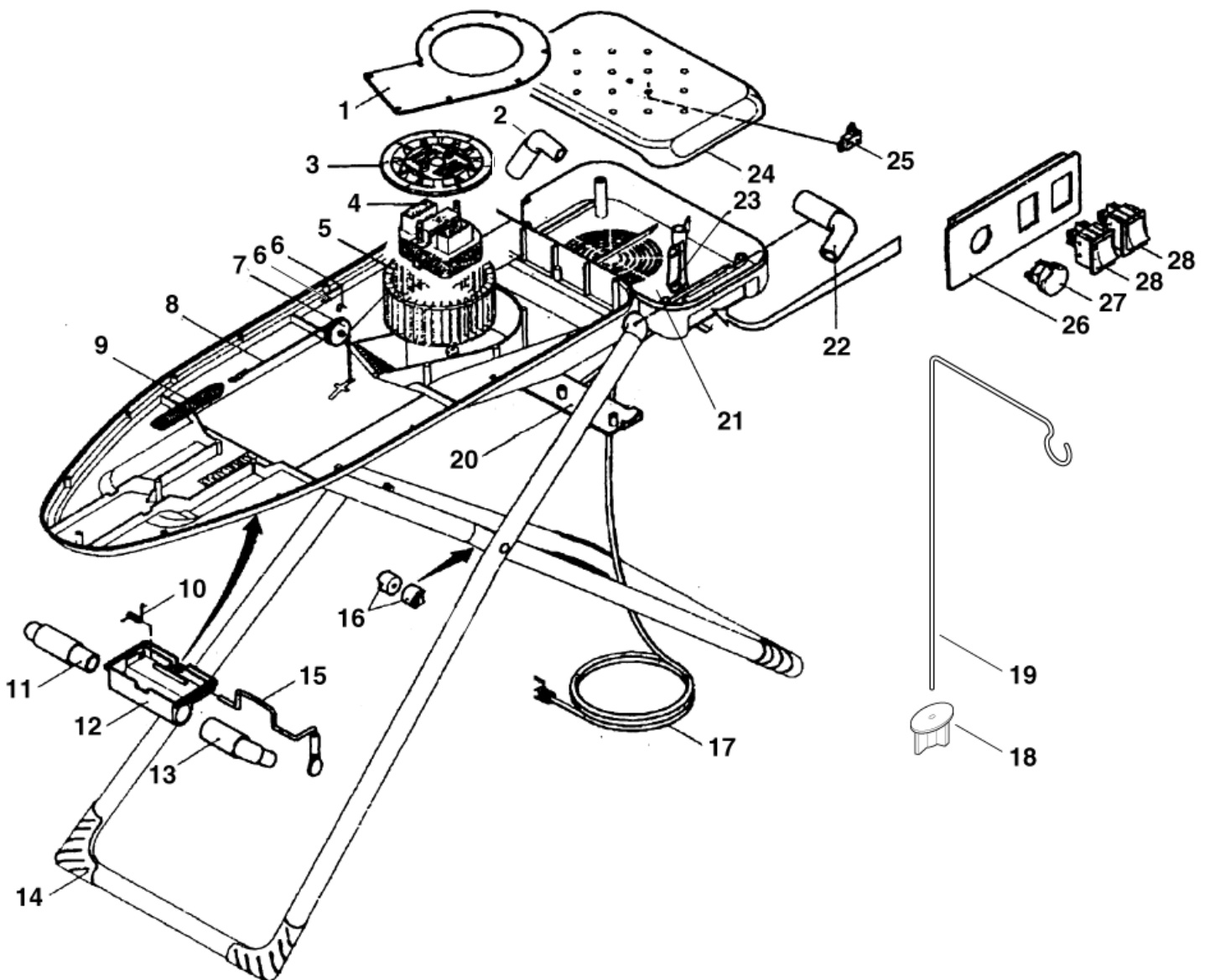
Steam ironing station

STEAMTEC 312, 520, 51H

23-02-2015

Part List ID
STEAMTEC14

15



Steam ironing station

STEAMTEC 312, 520, 51H

23-02-2015

Part List ID
STEAMTEC14

16

Pos	Part no.	Qty	Description	
0	31000200	1	STEAMTEC IRONBOARD	All shown on drawing
1	67007	1	COVER	
2	67044	1	ARTICULATED HANDLEBAR REAR RI	
3	65406	1	COVER Ø 190X27	
4	65405	1	MOTOR 110W/230V	
5	65404	1	COOLING FAN Ø 142X60	
6	67013	2	RETAINING CLAMP	
7	67028	1	CASTOR Ø 48X16	
8	67027	1	ROPE Ø 0.8X420	
9	65409	1	TENSION SPRING 2.5X25X25	
10	65408	1	SPRING 40X33X10	
11	67043	1	ARTICULATED HANDLEBAR REAR LE	
12	65402	1	HOUSING	
13	65400	1	ARTICULATED HANDLEBAR FRONT L	
14	67042	4	COVERING - BLUE	
15	65403	1	LEVER	
16	67041	2	DISTANCE PIECE KIT	
17	28879	1	POWER CORD H05VV-F 3G1.5	
18	303000302	1	BRACKET 47X29X29	
19	303000303	1	BRACKET 475X111X4	
20	67039	1	COVER	
21	64764	1	SCREENING UNIT 0.47 F/275	
22	65401	1	ARTICULATED HANDLEBAR FRONT R	
23	67003	1	BUSHING CLAMP	
24	67035	1	COVER	
25	65407	1	MICROSWITCH 250V 12-3-A	
26	67040	1	CONTROL PANEL	
27	65410	1	SOCKET 250AT 10-16A	
28	303000058	2	SWITCH 10A 250VAC	

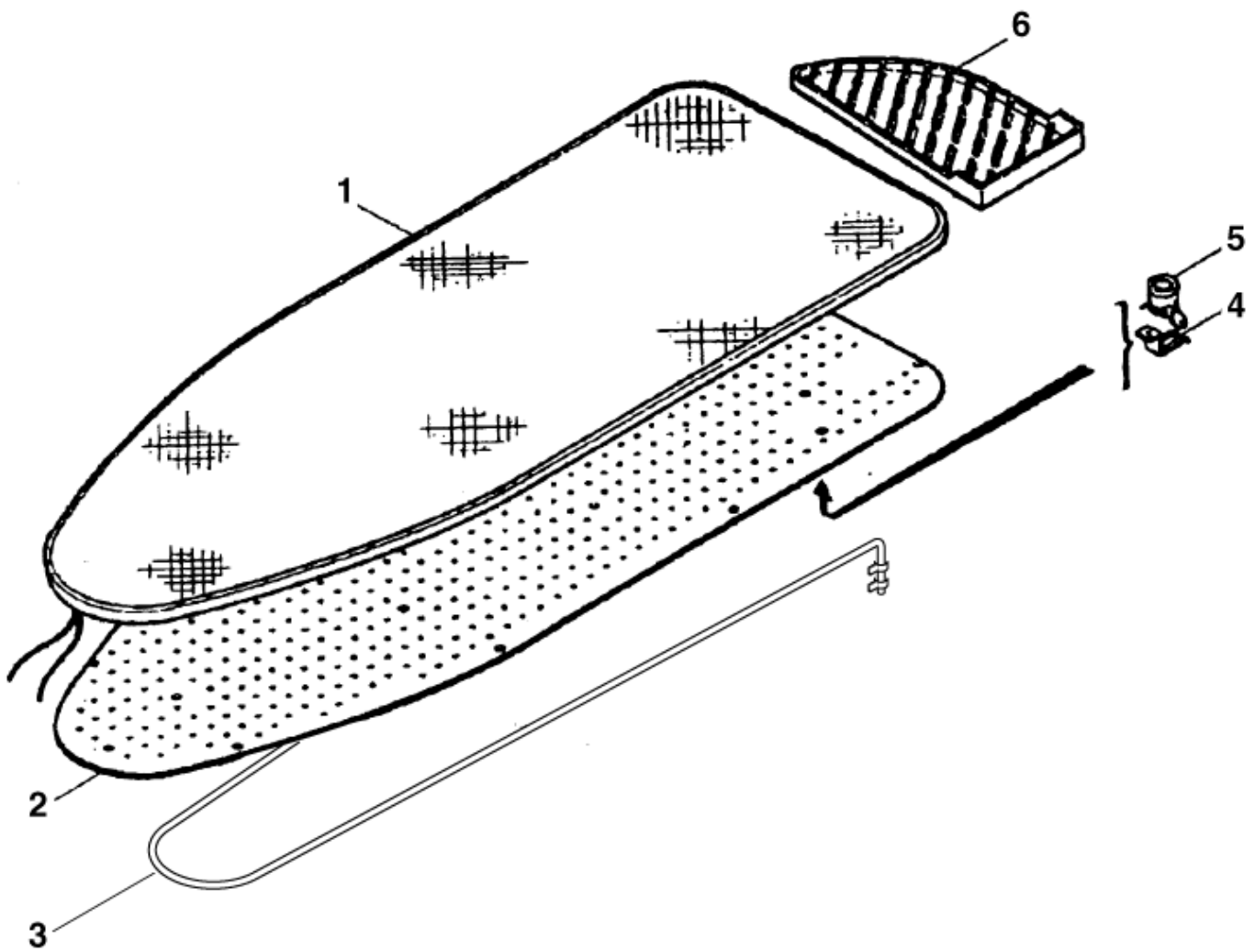
Steam ironing cover

STEAMTEC 312, 520, 51H

23-02-2015

Part List ID
STEAMTEC16

17



Steam ironing cover

STEAMTEC 312, 520, 51H

23-02-2015

Part List ID
STEAMTEC16

18

Pos	Part no.	Qty	Description
1	66025	1	COVER
2	67010	1	IRONING BOARD
3	67011	1	HEATER
4	64765	1	BRACKET
5	67026	1	SAFETY TEMPERATURE LIMITER
6	67005	1	IRON REST

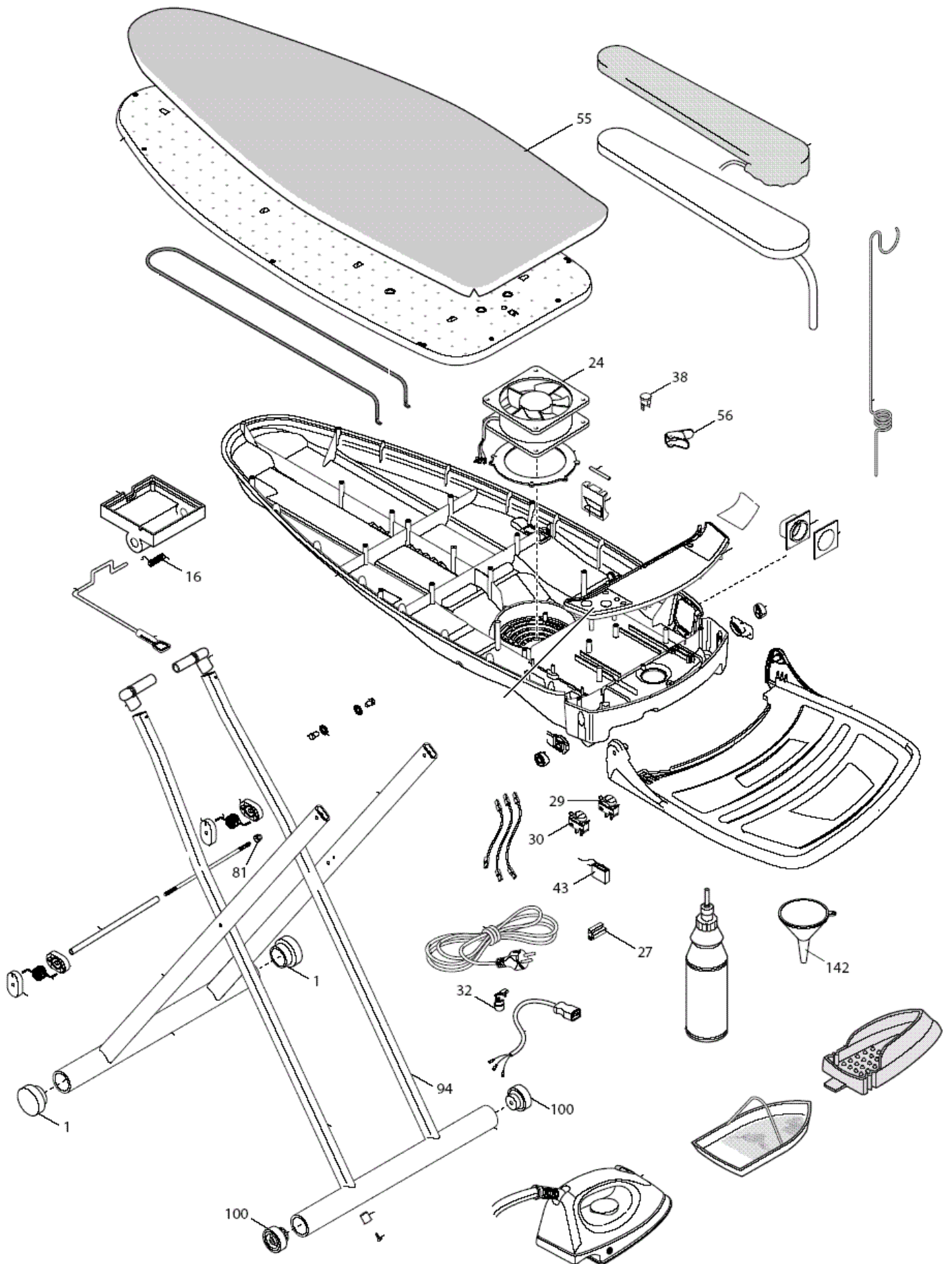
Steam ironing board version 2009 June

STEAMTEC 312, 520, 51H

23-02-2015

Part List ID
STEAMTEC18

19



Steam ironing board version 2009 June

STEAMTEC 312, 520, 51H

23-02-2015

Part List ID
STEAMTEC18

20

Pos	Part no.	Qty	Description
0	31000200	1	STEAMTEC IRONBOARD
1	31000157	1	ADJUSTABLE FEET SUPPORT D.40MM BLACK
16	65408	1	SPRING 40X33X10
24	31000158	1	MOTOR H.38 120x120 220/240V 50/60HZ
27	303000470	1	CONNECTOR HOUSING 3-POL.
29	31000159	1	UNIP. SWITCH UNIP.3P 8A 250V
30	31000160	1	UNIP. SWITCH WITH RED LED SR-06NR-N
32	67003	1	BUSHING CLAMP
38	31000161	1	THERMOSTAT T.80 WITH CLAMP FS
43	31000162	1	CAPACITOR CX 0.47 UF PB 4.8
55	31000163	1	IRON. BOARD CLOTH
56	303000482	1	BRACKET 76X39X21
100	31000164	1	WHEEL D 40 WITH RUBBER
142	303000428	1	FUNNEL