

# AX 310

---

Model:  
AX310



Part List US-English

22-02-2015

# Table of Contents

AX 310

<b>Back panel assembly</b>	<b>3</b>
<b>Base system</b>	<b>5</b>
<b>Brush system</b>	<b>7</b>
<b>Decal system</b>	<b>9</b>
<b>Handle system 12</b>	<b>11</b>
<b>Recovery system</b>	<b>13</b>
<b>Solution system</b>	<b>15</b>
<b>Wiring diagram (110V, 115V)</b>	<b>17</b>
<b>Wiring diagram (230V)</b>	<b>19</b>
<b>Accessories</b>	<b>21</b>
<b>Wand assembly</b>	<b>23</b>

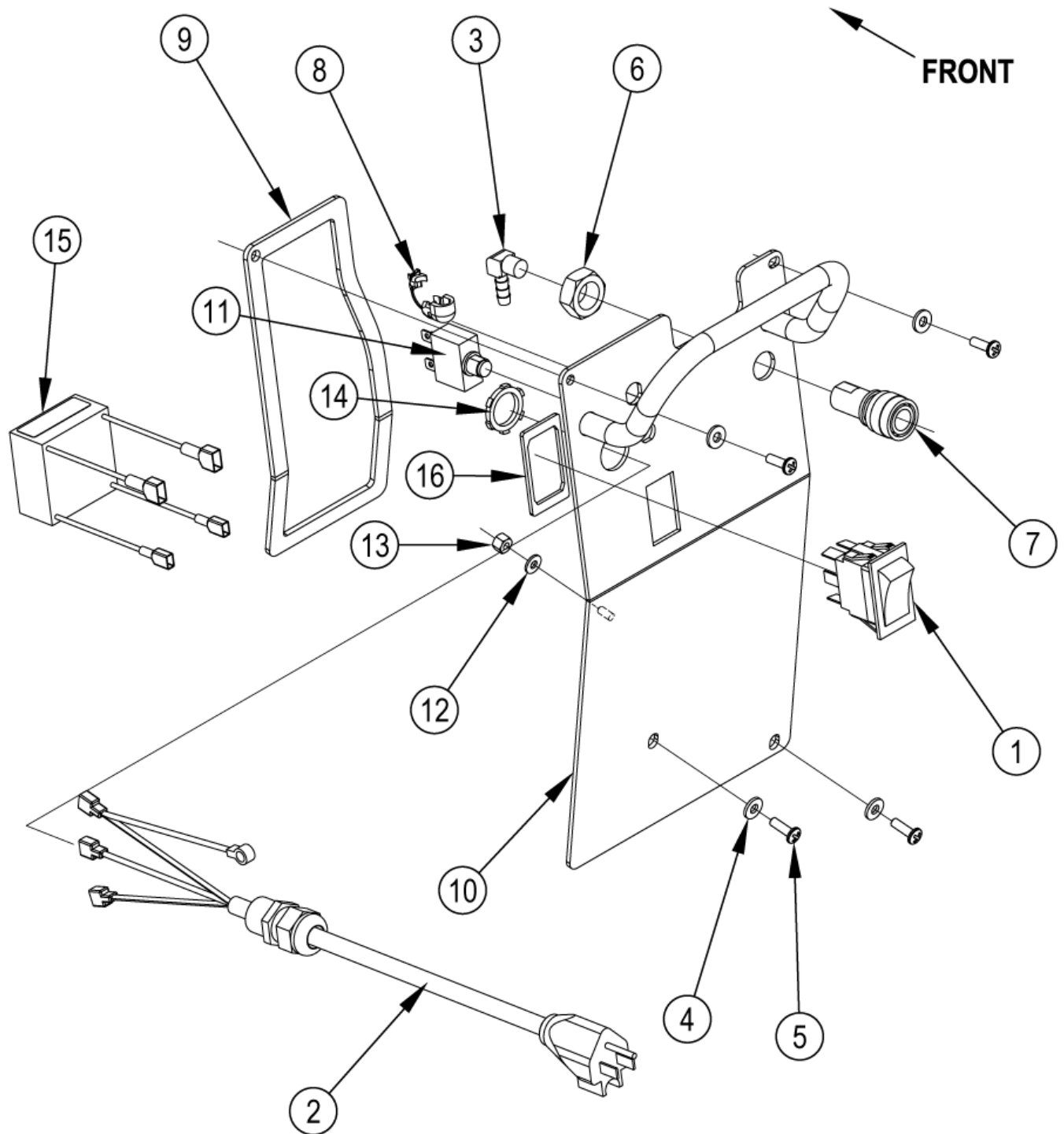
# Back panel assembly

AX 310

22-02-2015

Part List ID C1913

3



# Back panel assembly

AX 310

22-02-2015

Part List ID C1913

4

Pos	Part no.	Qty	Description	
1	56381824	1	SWITCH ROCKER DPDT ON-ON	
2	56265378	1	POWER CORD 2X3 BLK JAPAN	
2	56265382	1	POWER CORD 230V 2X1.5	AX 310
3	56755726	1	HOSE BARB 1/4 BARB X 1/8-27	AX 310J
4	56009205	4	WSH FLT SS .219X500X.047/.062	
5	56002896	4	SCR PAN PHIL SS 10-24 X .62	
6	56009078	1	NUT HEX JAM SS 5/8 18	
7	56265208	1	SOCKET 1/8 FPT	
8	56265392	1	STRAIN RELIEF .25 .29	
9	56265325	1	GASKET BACK PANEL	
10	56265411	1	PANEL BACK WELDMENT	Note 1
11	56265379	1	CIRCUIT BREAKER 3 AMP	
12	56009010	1	WSH INT SHPRF 8	
13	56009148	1	NUT HEX MACHINE 8 32	
14	56009095	1	NUT CONDUIT LOCK 1/2 14	
15	56265406	1	EMI FILTER ASSEMBLY	
16	56382685	1	LOCKING SPACER SWITCH ALUMINUM	

NOTE 1: 56265391 is obsolete and replaced by 56265411

# Base system

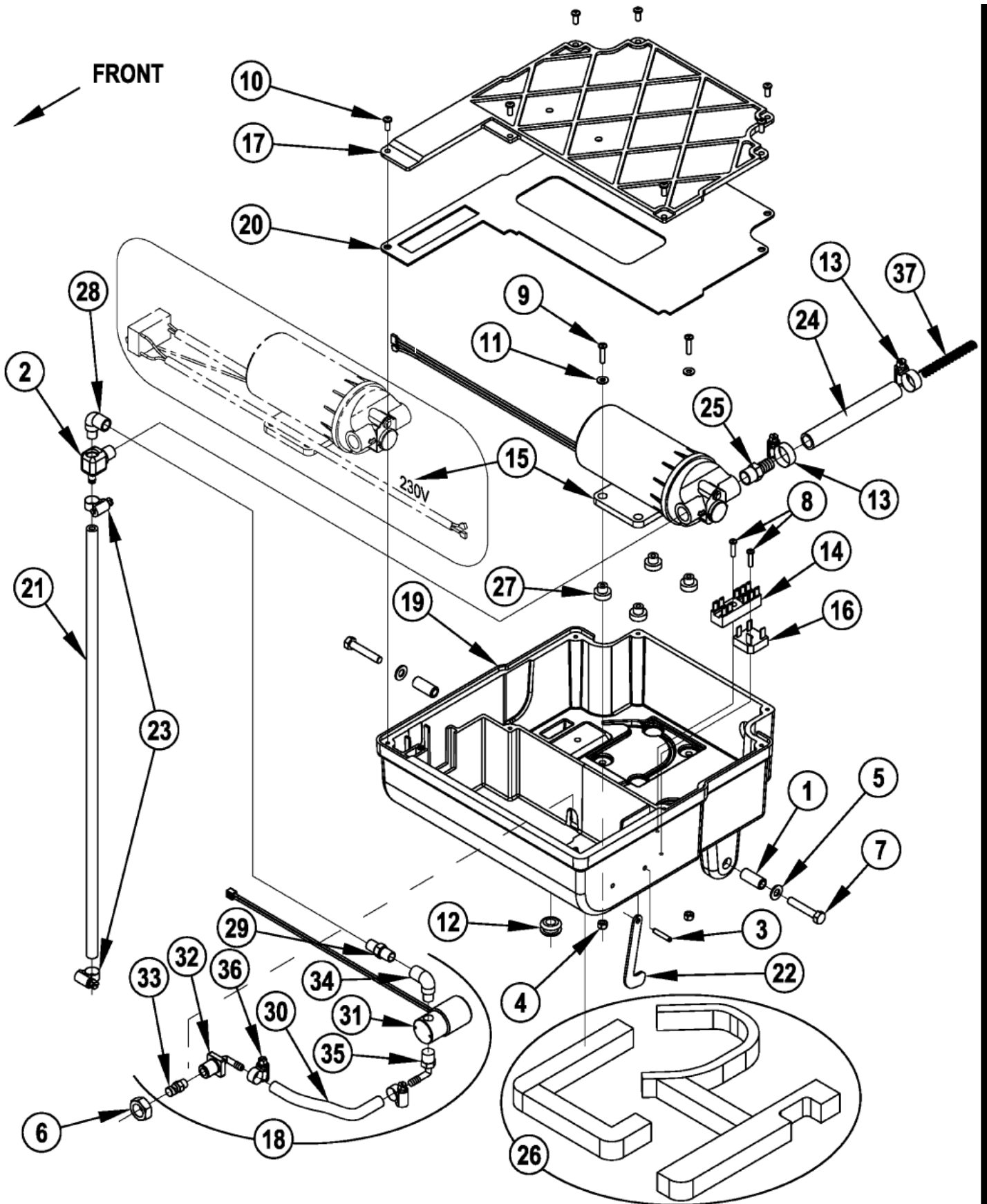
AX 310

22-02-2015

Part List ID

C1915

5



# Base system

AX 310

22-02-2015

Part List ID

C1915

6

Pos	Part no.	Qty	Description	
1	56265393	2	BUSHING .31 X .50 X 1.18	
2	56264024	1	ADAPTER BRACKET KIT	
3	56002082	1	PIN SPR .19 X 1.00	
4	56002836	2	NUT HEX NYL LOC SS 10-24	
5	56002938	2	WSH FLT SAE SS 5/16	
6	56003272	1	NUT HEX JAM SS 5/8 11	
7	56003333	2	SCR HEX SS 5/16-18X1.75	
8	56003545	2	SCR PAN PHIL PLASTITE8 10X.75	
9	56003611	2	SCR PAN PHIL SS 10-24 X .88	
10	56003711	7	SCR PAN SS PLASTITE 10-14 X.62	
11	56009205	2	WSH FLT SS .219X.500X.047/.062	
12	56050955	1	GROMMET E00059	
13	56219932	2	CLAMP HOSE SAE 6 E00047	
14	56260071	1	TERMINAL BLOCK	
15	56265050	1	PUMP 230V	AX 310
15	56265051	1	PUMP 115V	AX 310J
16	56265103	1	RECTIFIER 35 AMP	
17	56265342	1	BASE PANEL	
18	56265343	1	VALVE/NOZZLE ASSEMBLY	items 29-36 - AX 310J
18	56265394	1	VALVE/NOZZLE ASSY 230V	items 29-36 - AX 310
19	56265358	1	BASE 12	
20	56265367	1	GASKET BASE PANEL	
21	56265373	1	HOSE 1/4X21.00L E00160	
22	56265377	1	HOOK BASE	
23	56756364	2	CLAMP HOSE SAE 4 E00047	
24	56265245	1	HOSE PVC CLEAR 5.00	
25	56109565	1	BARB ADAPTER 1/2 X 3/8 NPT	TSBUS2007-966
26	56265323	1	MUFFLER SET	
27	56265399	4	GROMMET	
28	56369632	1	ELBOW ST 1/4X90 BR E00031	
30	56249342	1	TUBE E00160	
31	56265037	1	VALVE SOLENOID 115V	AX 310J - TSBUS2007-966
31	56265114	1	VALVE SOLENOID 230V	AX 310 - TSBUS2007-966
32	56265388	1	ELBOW PANEL MOUNT	
33	56265390	1	NOZZLE SPRAY	
34	56369632	1	ELBOW ST 1/4X90 BR E00031	
35	56470138	1	BARB 1/4 X 90 DEG E00037	
36	56756364	2	CLAMP HOSE SAE 4 E00047	
37	56265246	1	SPRING COMP .42 X 3.00	

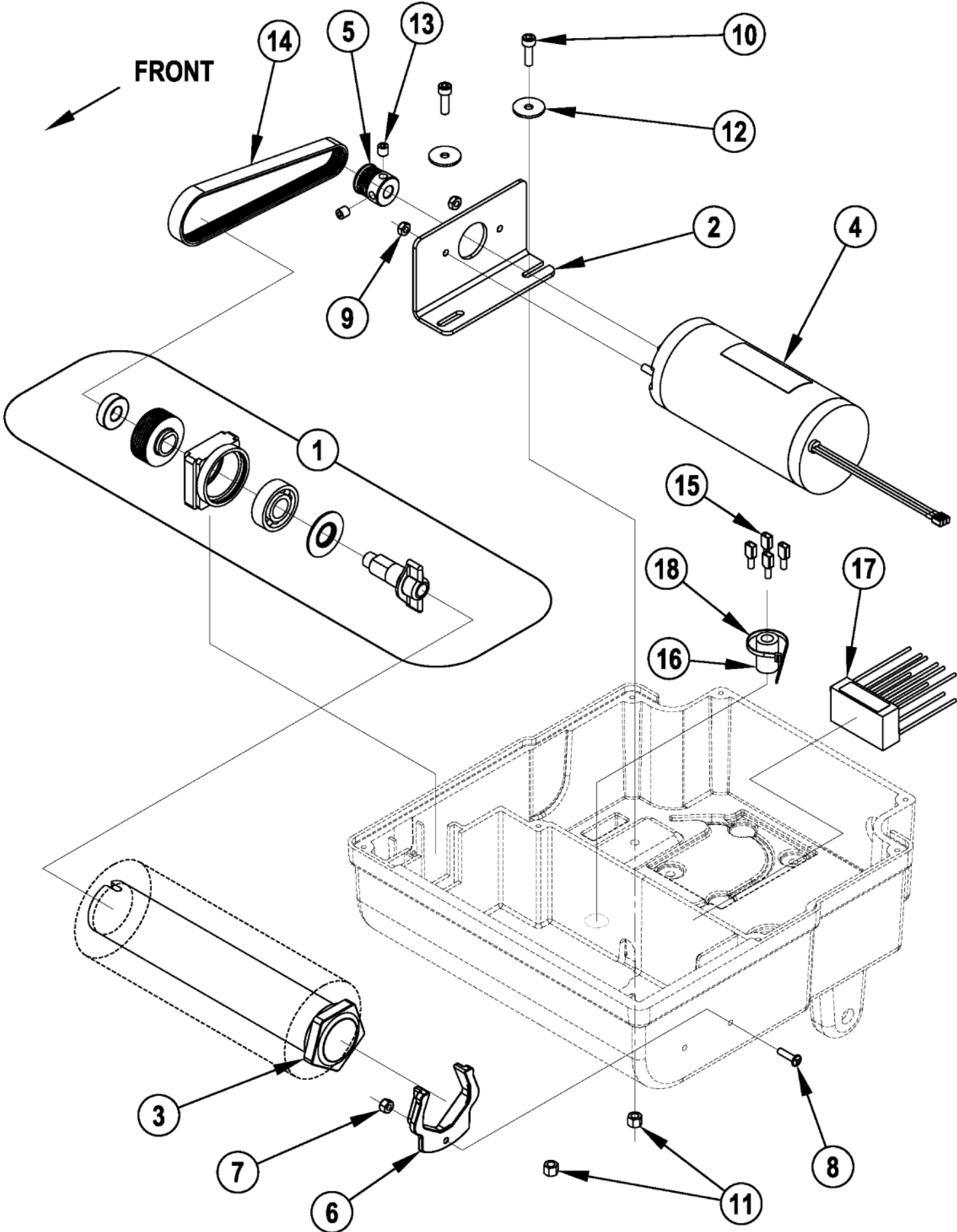
# Brush system

AX 310

22-02-2015

Part List ID C1917

7



# Brush system

## AX 310

22-02-2015

Part List ID C1917

8

Pos	Part no.	Qty	Description
1	56265204	1	BEARING SPINDLE KIT FOR AG-16
1		1	NOTE COMMENT SPINDLE, DRIVE - NOT AVAILABLE
1		1	NOTE COMMENT WASHER, BEARING - NOT AVAILABLE
1		1	NOTE COMMENT BEARING, BLOCK - NOT AVAILABLE
1		1	NOTE COMMENT SHEAVE POLY-V 6J17 - NOT AVAILABLE
1		1	NOTE COMMENT BEARING, BALL - NOT AVAILABLE
1		1	NOTE COMMENT BEARING, BALL - NOT AVAILABLE
2	56265344	1	BRACKET MOTOR TENSION
3	56265340	1	BRUSH ASSEMBLY 12
4	56265077	1	MOTOR 115V 1/4 HP AX 310J
4	56265078	1	MOTOR 230 V 1/4 HP AX 310
5	56265370	1	SHEAVE POLY-V
6	56265043	1	CLIP BRUSH RETAINER
7	56002836	1	NUT HEX NYL LOC SS 10-24
8	56002894	1	SCR PAN PHIL SS 10-24 X .75
9	56003053	2	NUT HEX NYL LOC THIN 10 32
10	56003424	2	SCR SOC SS M6-1.00X20MM
11	56003426	2	NUT HEX NYL LOC SS M6
12	56009060	2	WSH FLT SS .260X1.000X.074
13	56009131	2	SCR SOC SET LOC 5/16-18X.31
14	56249040	1	BELT POLY V 160J6
15	56244138	4	RECEPTACLE TAB .250FC336B
16	56265405	1	EMI FERRITE BEAD CORE
17	56265407	1	EMI FILTER ASSEMBLY
18	56325219	1	CABLE TIE E00549 HC360C



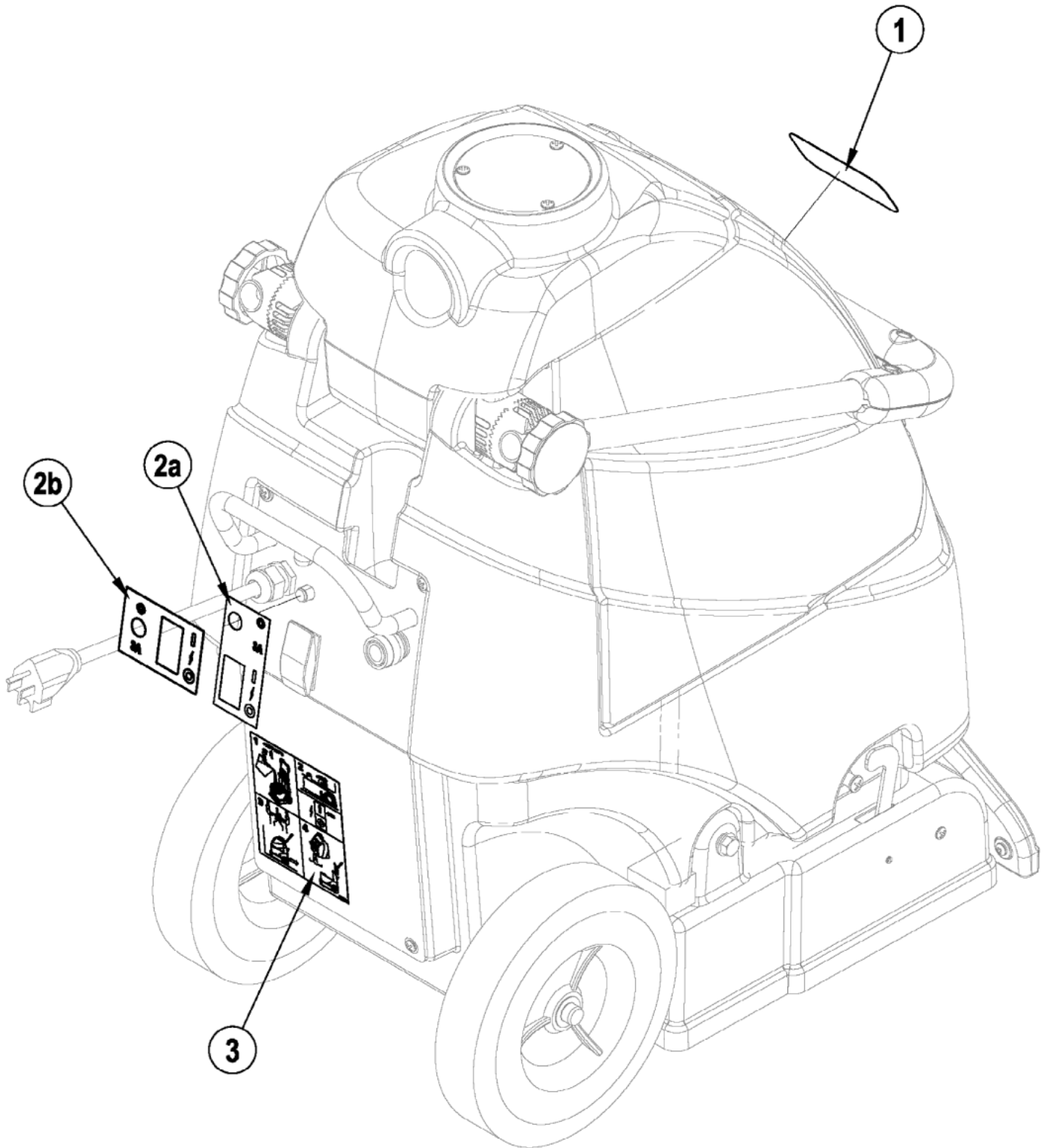
# Decal system

AX 310

22-02-2015

Part List ID C1919

9



# Decal system

AX 310

22-02-2015

Part List ID C1919

10

Pos	Part no.	Qty	Description	
1	56016769	1	DECAL NILFISK AX310	
3	56016772	1	DECAL OPERATION INSTRUCTIONS	
2A	56265310	1	DECAL MAIN	NOTE 1
2B	56016771	1	DECAL SWITCH/BREAKER	NOTE 2

NOTE 1: Only used after SN2005987

NOTE 2: Only used before SN2005988

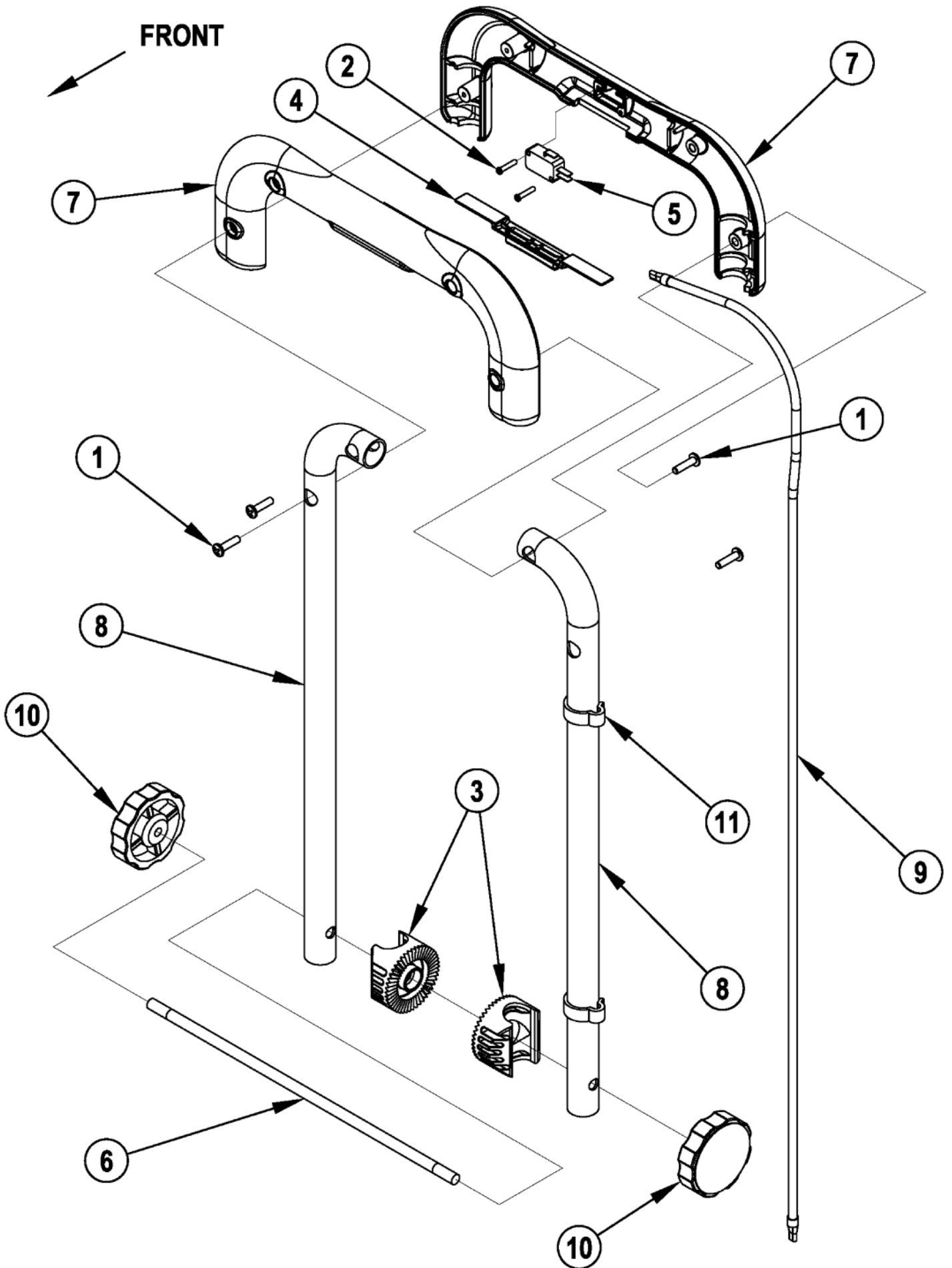
# Handle system 12

AX 310

22-02-2015

Part List ID C19111

11



# Handle system 12

AX 310

22-02-2015

Part List ID

C19111

12

Pos	Part no.	Qty	Description
1	56002192	4	SCR PAN PHIL 10-24 X .75
2	56003092	2	SCR.PAN.PHIL.4-20X .62PLASTITE
3	56264123	2	RATCHET HANDLE ADJ.
4	56265053	1	BUTTON SPRAY
5	56265098	1	SWITCH SPDT SNAP ACTION
6	56265357	1	ROD HANDLE
7	56265374	2	COVER HANDLE
8	56265375	2	TUBE HANDLE
9	56265385	1	WIRE ASSY 20 GA 2 COND
10	1047	2	KNOB HANDLE RATCHET
11	56344346	2	CLAMP HANDLE AS510B

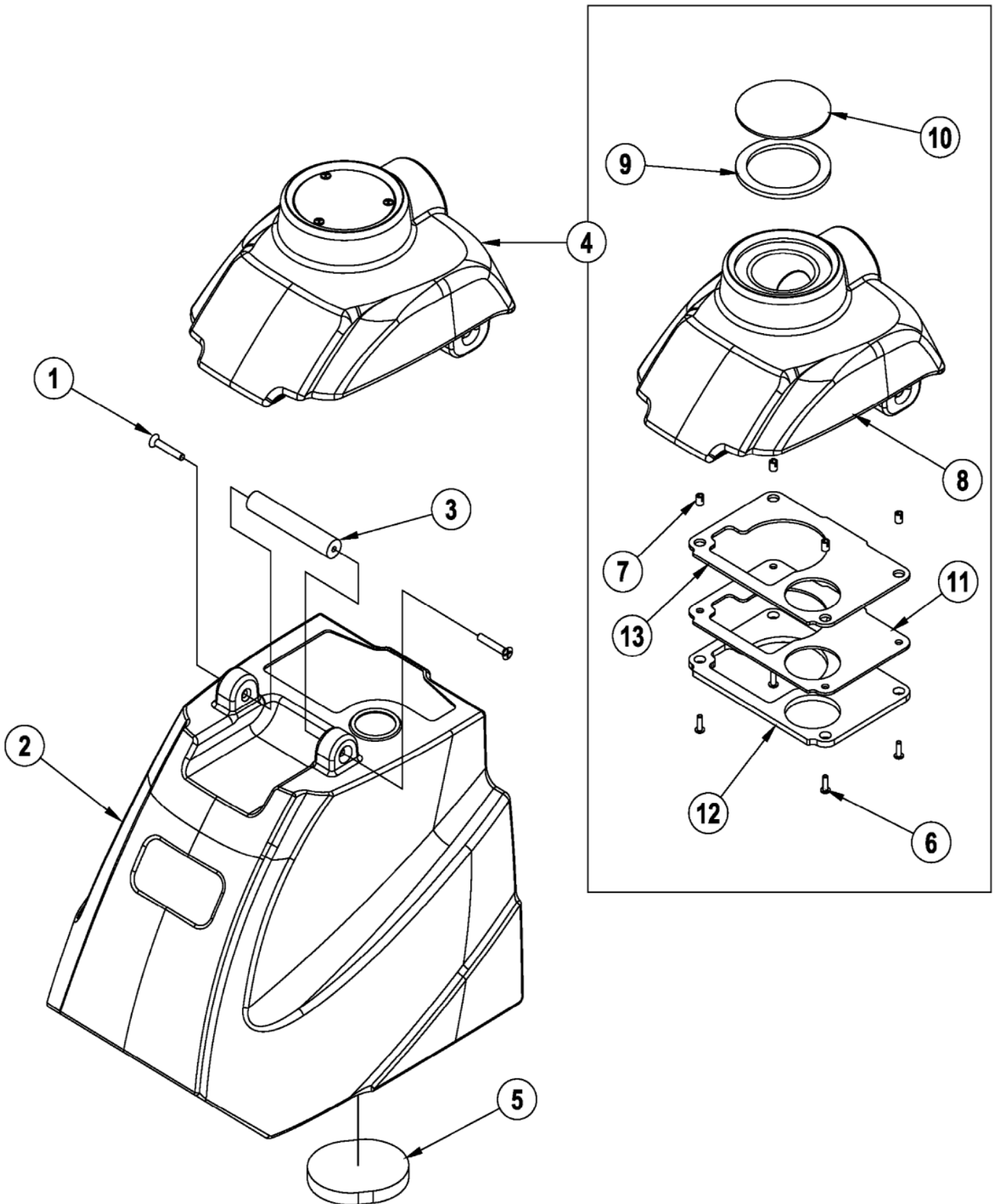
# Recovery system

AX 310

22-02-2015

Part List ID C19113

13



# Recovery system

AX 310

22-02-2015

Part List ID C19113

14

Pos	Part no.	Qty	Description
1	56001972	2	SCR FLT PHIL 1/4 20 X 1.50
2	56265322	1	TANK RECOVERY
3	56265346	1	HANDLE LID
4	56265389	1	LID ASSEMBLY
5	56265244	1	FILTER
6	56002896	4	SCR PAN PHIL SS 10-24 X .62
7	56249946	4	INSERT BRASS FL150S
8	56265347	1	LID RECOVERY
9	56265348	1	GASKET LID INLET
10	56265349	1	INLET TANK LID
11	56265350	1	PLATE LID
12	56265351	1	GASKET LID
13	56265371	1	GASKET LID PLATE

INCLUDES ITEMS 6-13

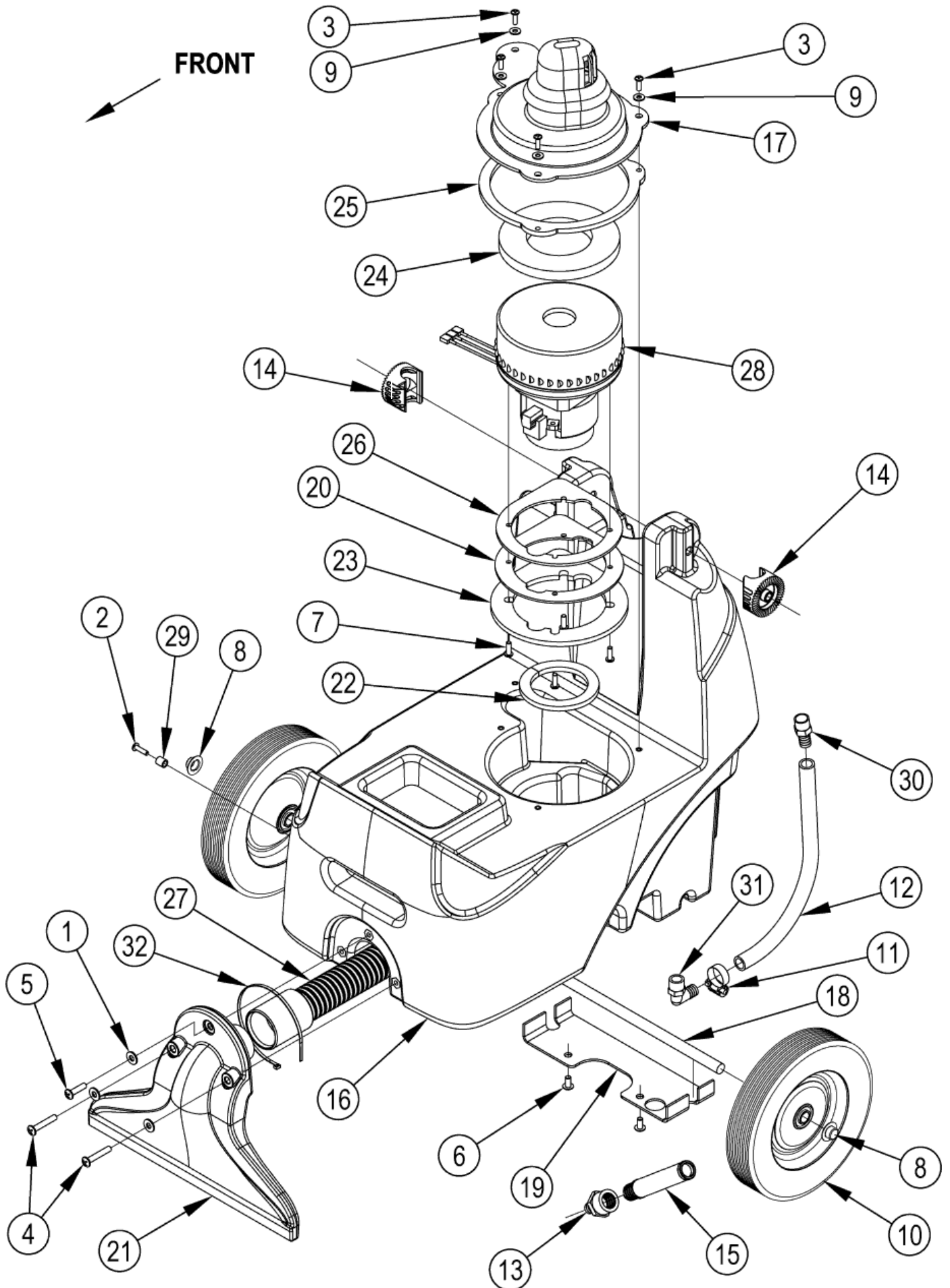
# Solution system

AX 310

22-02-2015

Part List ID C19115

15



# Solution system

AX 310

22-02-2015

Part List ID C19115

16

Pos	Part no.	Qty	Description	
1	56002859	3	WSH FLT SAE SS 1/4	
2	56002507	1	SCR PAN PHIL 1/4-20 X .75	
3	56002896	4	SCR PAN PHIL SS 10-24 X .62	
4	56002905	2	SCR PAN PHIL SS 1/4-20 X 1.50	
5	56003067	1	SCR. PAN PHIL. SS 1/4-20-1.00	
6	56003119	2	SCR PAN PHIL SS 1/4 20 X .50	
7	56003322	4	SCR PAN PHIL PLASTIT10 14X.62	
8	56009097	2	NUT PUSH CAP 1/2	
9	56009205	4	WSH FLT SS .219X.500X.047/.062	
10	56330051	2	WHEEL	
11	56219932	1	CLAMP HOSE SAE 6 E00047	
12	56244986	1	HOSE E00199	
13	56264461	1	SCREEN KIT	
14	56264118	2	RATCHET HANDLE ADJ.	
15	56264137	1	SCREEN FOR AG-16 18	
16	56265320	1	TANK SOLUTION	
17	56265326	1	COVER VAC	
18	56265327	1	AXLE	
19	56265328	1	RETAINER AXLE	
20	56265329	1	PLATE MOTOR	
21	56265330	1	SHOE ASSY 12	
22	56265334	1	GASKET	
23	56265335	1	GASKET	
24	56265336	1	GASKET	
25	56265337	1	GASKET VAC COVER	
26	56265364	1	GASKET	
27	56265372	1	VAC HOSE 1.50 STRETCH	
28	56203518	1	BRUSH MECH.SET/2	Set of 2 - for use on 56265380 - not shown
28	56265380	1	VAC MOTOR-115 VAC	AX 310J
28	56265381	1	VAC MOTOR 230V	AX 310
28	56503004	1	CARBON BRUSH SET2 BRUSHES	Set of 2 - for use on 56265381 - not shown
29	56321532	1	BUSHING .25X.37X.40HC42C	
30	56109565	1	BARB ADAPTER 1/2 X 3/8 NPT	TSBUS2007-961-1
31	56109566	1	BARB 90 ELBOW 1/2 X 3/8 NPT	TSBUS2007-961-1
32	56478523	1	CABLE TIE E00549	



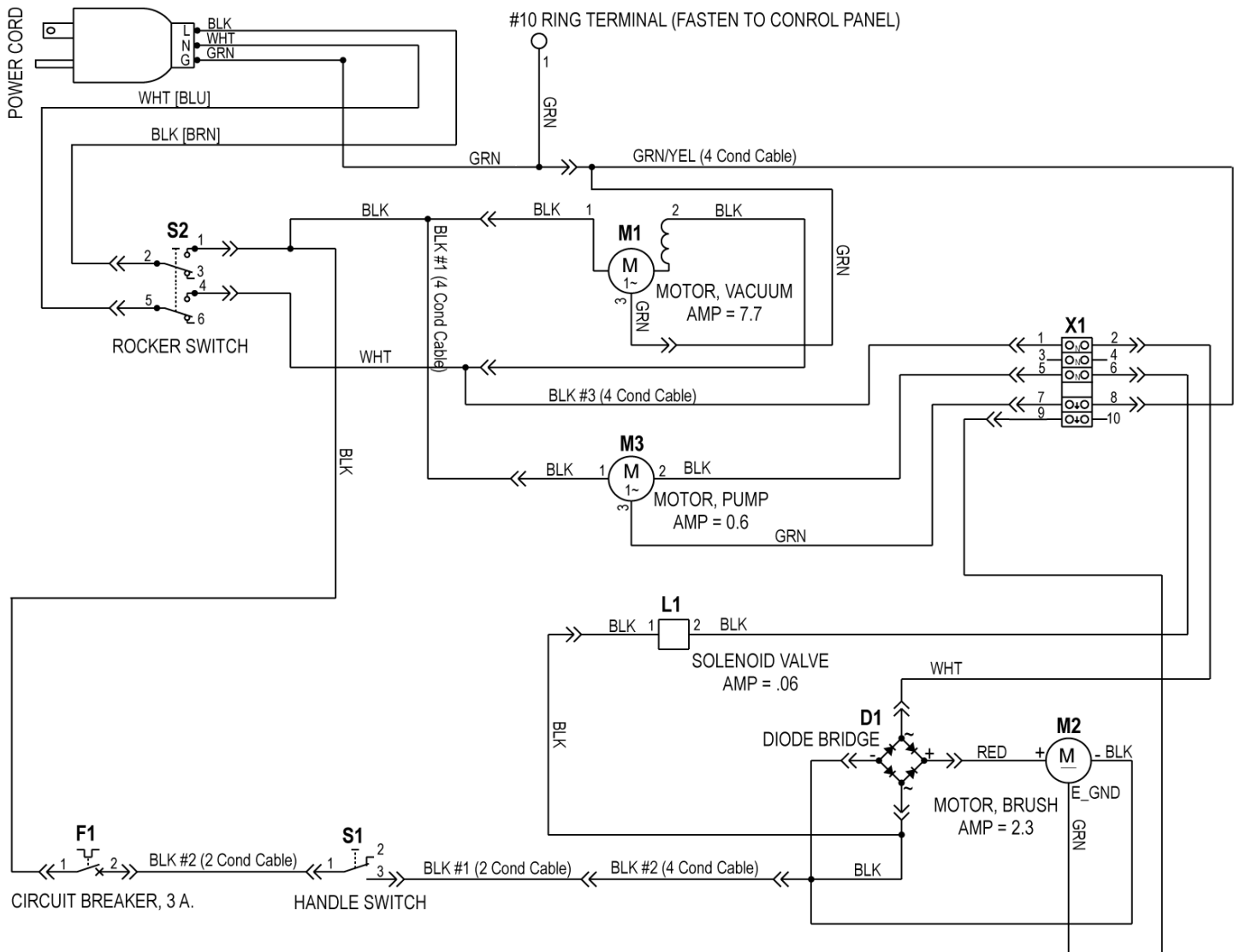
# Wiring diagram (110V, 115V)

AX 310

22-02-2015

Part List ID  
C19117

17



# Wiring diagram (110V, 115V)

AX 310

22-02-2015

Part List ID C19117

18

Pos	Part no.	Qty	Description	
0	56265378	1	POWER CORD 2X3 BLK JAPAN	
0	56265383	1	WIRE ASSY RECTIFIER BLK	Not shown
0	56265384	1	WIRE ASSY RECTIFIER WHT	Not shown
0	56265385	1	WIRE ASSY 20 GA 2 COND	Not shown
0	56265386	1	WIRE ASSY 16 GA 4 COND	Not shown
D1	56265103	1	RECTIFIER 35 AMP	
F1	56265379	1	CIRCUIT BREAKER 3 AMP	3 Amp
L1	56265037	1	VALVE SOLENOID 115V	TSBUS2007-966
M1	56265381	1	VAC MOTOR 230V	
M1	56503004	1	CARBON BRUSH SET2 BRUSHES	Set of 2 - for use on 56265381 - not shown
M2	56265077	1	MOTOR 115V 1/4 HP	
M3	56265051	1	PUMP 115V	
S1	56265098	1	SWITCH SPDT SNAP ACTION	Solution/Brush
S2	56381824	1	SWITCH ROCKER DPDT ON-ON	

Note:

Pos. 0= Not Sshown



# Wiring diagram (230V)

AX 310

22-02-2015

Part List ID C19119

20

Pos	Part no.	Qty	Description	
0	56265382	1	POWER CORD 230V 2X1.5	230V - AX 310
0	56265385	1	WIRE ASSY 20 GA 2 COND	Not shown
0	56265386	1	WIRE ASSY 16 GA 4 COND	Not shown
0	56265406	1	EMI FILTER ASSEMBLY	Not shown
0	56265407	1	EMI FILTER ASSEMBLY	Not shown
0	82179200	1	PLUG UK	
D1	56265103	1	RECTIFIER 35 AMP	
F1	56265379	1	CIRCUIT BREAKER 3 AMP	3 Amp
L1	56265114	1	VALVE SOLENOID 230V	TSBUS2007-966
M1	56265381	1	VAC MOTOR 230V	
M1	56503004	1	CARBON BRUSH SET2 BRUSHES	Not shown
M2	56265078	1	MOTOR 230 V 1/4 HP	
M3	56265050	1	PUMP 230V	
S1	56265098	1	SWITCH SPDT SNAP ACTION	Solution/Brush
S2	56381824	1	SWITCH ROCKER DPDT ON-ON	

# Accessories

AX 310

22-02-2015

Part List ID

C19120

21

## ACCESSORIES

### AVAILABLE BRUSH

# 56265340 Brush Assembly 12

### ACCESSORY TOOLS

56314402 Wand Assembly w/Soft and Hard Floor Tools

56265173 Wand Assembly w/Soft Floor Tool

56262209 Stand Up Wand

56220109 Hand Tool

56220070 Upholstery Hand Tool

# 56265368 Hose Assembly

# 56265174 Hose Assembly

# = Revised or new since last update

# Accessories

AX 310

22-02-2015

Part List ID C19120

22

Pos	Part no.	Qty	Description
1	56265340	1	BRUSH ASSEMBLY 12
11	56314402	1	WAND ASSEMBLY
12	56265173	1	WAND ASSY. W/SOFT FLOOR TOOL
13	56262209	1	WAND
14	56220109	1	HAND TOOL
15	56220070	1	UPHOLSTERY HAND TOOL
16	56265368	1	HOSE ASSY
17	56265174	1	15FT HOSE ASSEMBLY

# Wand assembly

AX 310

22-02-2015

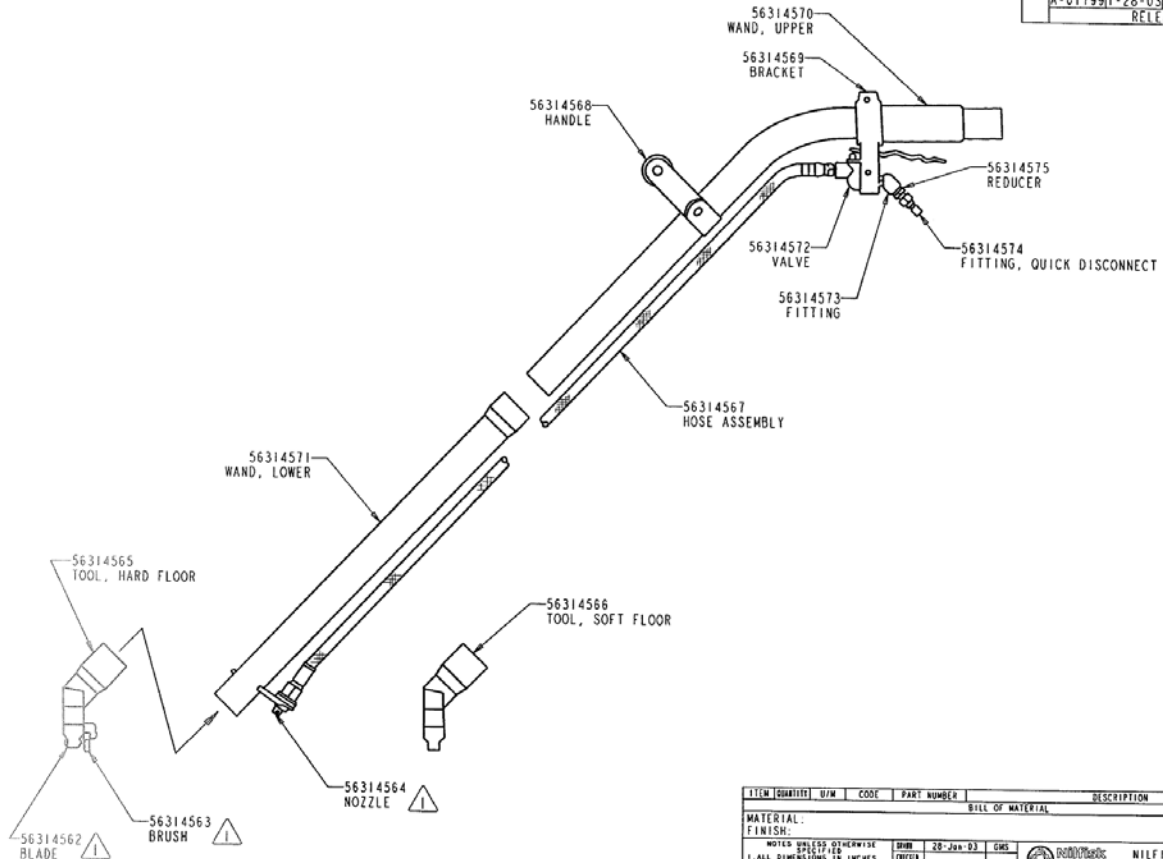
Part List ID  
WANDASSEMBLY

23

SPECIFICATIONS:  
VENDOR: PMF

CONFIDENTIAL  
THIS DRAWING AND THE DESIGN REPRESENTED HEREIN IS THE PROPERTY OF NILFISK-ADVANCE INC. PLYMOUTH, MINNESOTA AND IT HAS BEEN ISSUED WITH THE UNDERSTANDING THAT IT WILL NOT BE REPRODUCED NOR COPIED NOR USED FOR ANY PURPOSE OTHER THAN FOR WHICH IT WAS ISSUED AND RECEIVED. PLEASE TO RETURN IT UPON REQUEST.

DWG NO	56314402	SHEET	1	
REVISIONS				
REV	ECO	DATE	DFTM	APPD
A	017991	28-03	GMS	DKL
RELEASED				



REPLACEMENT STOCK ITEMS.  
NOTES-

ITEM	QUANTITY	U/M	CODE	PART NUMBER	DESCRIPTION																																
BILL OF MATERIAL																																					
MATERIAL:																																					
FINISH:																																					
NOTES UNLESS OTHERWISE SPECIFIED:																																					
1	ALL DIMENSIONS IN INCHES.																																				
2	DO NOT SCALE DRAWING.																																				
3	ALL DIMENSIONS APPLY AFTER FINISHING.																																				
4	REMOVE ALL BURRS AND SHARP EDGES.																																				
DIM: IN 1/8" ARC ON UNITS IN 1/4" ARC ISO METRIC AS NOTED.																																					
<table border="1"> <tr> <td>DWG NO</td> <td>28-Jan-03</td> <td>GMS</td> <td rowspan="2"> </td> <td rowspan="2">                 NILFISK-ADVANCE INC. PLYMOUTH, MN 55447             </td> </tr> <tr> <td>DATE</td> <td></td> <td></td> </tr> <tr> <td>PROJ DATA</td> <td colspan="2">56314402</td> <td colspan="3">WAND ASSEMBLY</td> </tr> <tr> <td>SHEET</td> <td>C</td> <td>DWG NO</td> <td colspan="3">56314402</td> </tr> <tr> <td>FIRST USED ON</td> <td>ADVERTISER</td> <td>SCALE</td> <td>0.400</td> <td>ASST</td> <td>56314207</td> </tr> <tr> <td>SHEET</td> <td>1</td> <td>OF</td> <td>1</td> <td>REV</td> <td>A</td> </tr> </table>						DWG NO	28-Jan-03	GMS		NILFISK-ADVANCE INC. PLYMOUTH, MN 55447	DATE			PROJ DATA	56314402		WAND ASSEMBLY			SHEET	C	DWG NO	56314402			FIRST USED ON	ADVERTISER	SCALE	0.400	ASST	56314207	SHEET	1	OF	1	REV	A
DWG NO	28-Jan-03	GMS		NILFISK-ADVANCE INC. PLYMOUTH, MN 55447																																	
DATE																																					
PROJ DATA	56314402		WAND ASSEMBLY																																		
SHEET	C	DWG NO	56314402																																		
FIRST USED ON	ADVERTISER	SCALE	0.400	ASST	56314207																																
SHEET	1	OF	1	REV	A																																

# Wand assembly

AX 310

22-02-2015

Part List ID  
WANDASSEMBLY

24

Pos	Part no.	Qty	Description
0	56314402	1	WAND ASSEMBLY All items on drawing
5	56314565	1	TOOL HARD FLOOR
6	56314562	1	BLADE
7	56314563	1	BRUSH
8	56314564	1	SPRAY NOZZLE
9	56314566	1	TOOL SOFT FLOOR
11	56314572	1	VALVE
12	56314573	1	FITTING
13	56314574	1	FITTING-QUICK DISCONNECT
14	56314575	1	REDUCER