

# SC350

---

Model:  
SC350



Stykliste Dansk

17-11-2014

# Nilfisk

[www.nilfisk.com](http://www.nilfisk.com)

# Indholdsfortegnelse

SC350

<b>Oversigtsbillede</b>	<b>3</b>
<b>COVER AND TANKS</b>	<b>5</b>
<b>RAMME</b>	<b>7</b>
<b>HANDLE SUPPORT</b>	<b>9</b>
<b>HÅNDTAGSSTANG</b>	<b>11</b>
<b>BRUSH DECK 1</b>	<b>13</b>
<b>BRUSH DECK 2</b>	<b>15</b>
<b>ANBEFALEDE RESERVEDELE</b>	<b>17</b>

# Oversigtsbillede

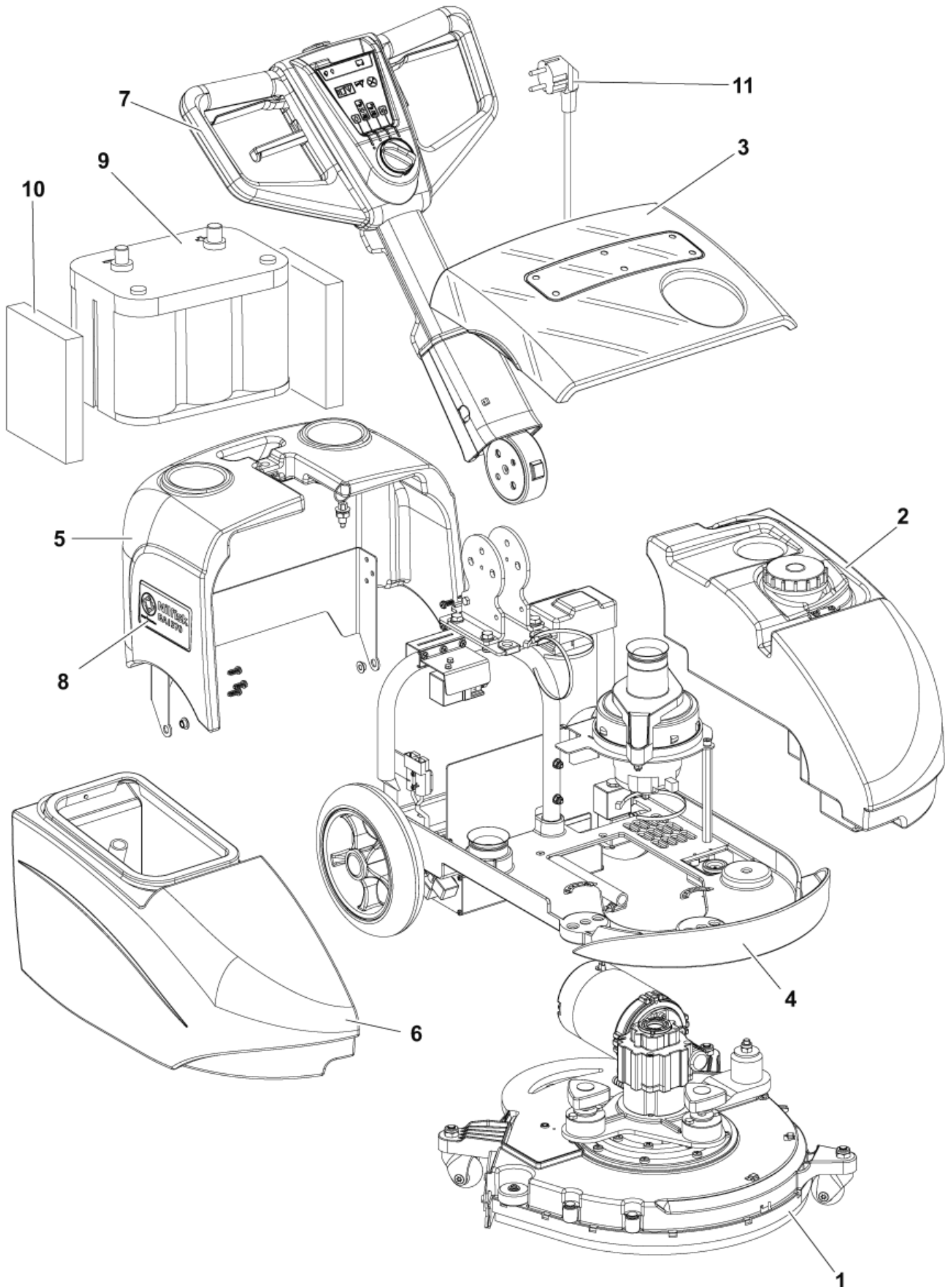
SC350

17-11-2014

StyMiste ID

SC350010

3



# Oversigtsbillede

## SC350

17-11-2014

StyMiste ID  
SC350010

4

Pos	Vare nr.	Ant	Beskrivelse	
1		1	USE LINK	DECK
2		1	USE LINK	SOLUTION TANK
3		1	USE LINK	COVER TANK
4		1	USE LINK	FRAME
5		1	USE LINK	BATTERY COVER
6		1	USE LINK	RECOVERY TANK
7		1	USE LINK	HANDLE
8	9099000000	1	DECALS KIT SC 350	
9	1464853000	1	Batteri 12V 87A AGM monoblok	OPTIONAL
9	9098977000	1	Batteri 12V 55A AGM	
10	9098934000	2	Panel, batteri, 30x170x110mm	
11	909 5633 000	1	Ladeledning Ba410	
11	909 5676 000	1	CABLE EXTENSION UK PLUG L.1000	

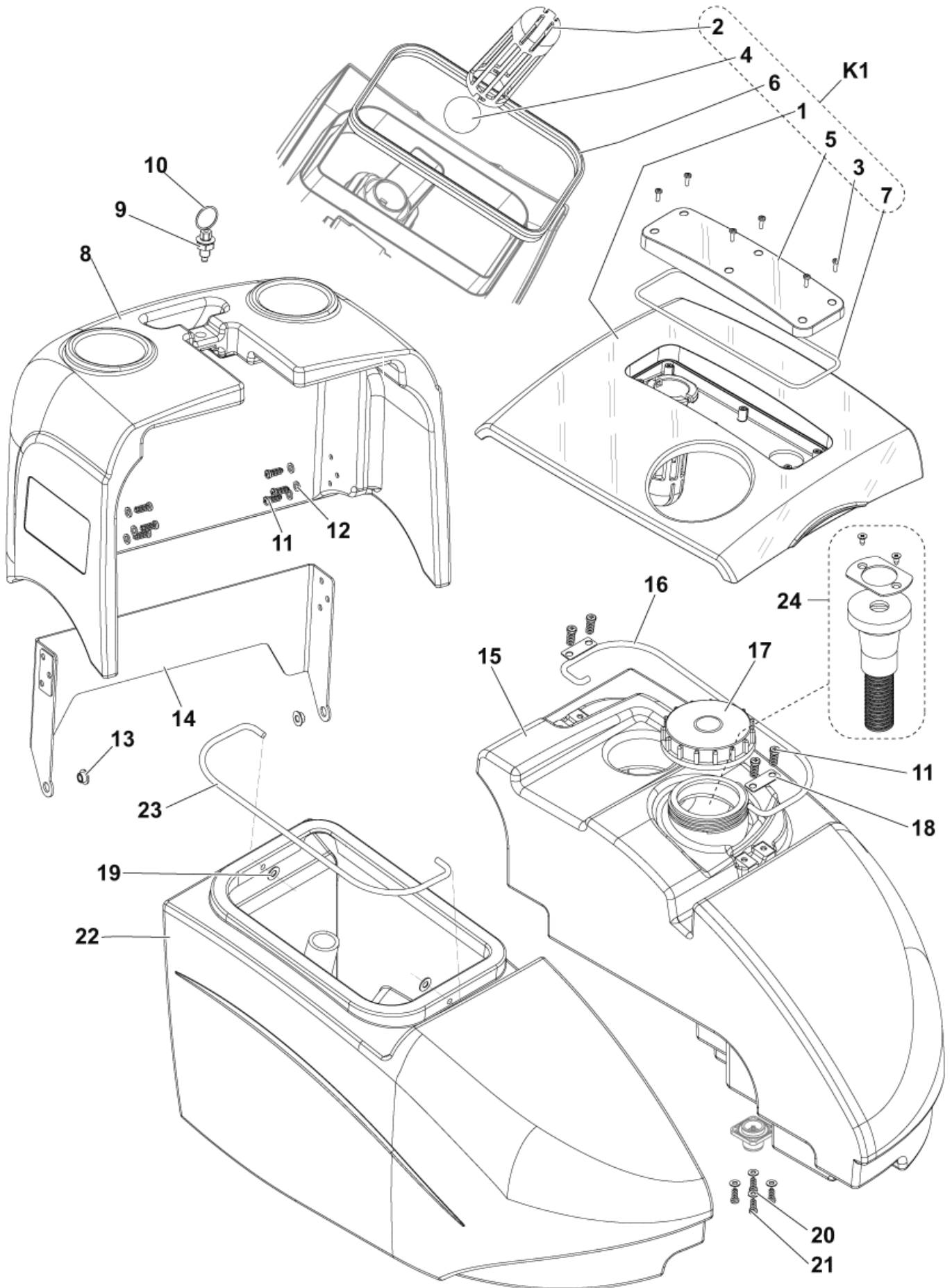
# COVER AND TANKS

SC350

17-11-2014

StyMiste ID  
SC350030

5



# COVER AND TANKS

SC350

17-11-2014

StyMiste ID SC350030

6

Pos	Vare nr.	Ant	Beskrivelse	
6	9099127000	1	GASKET RUBBER L.705MM PKD	
8	9098318000	1	BATTERY COVER	
9	145 1147 000	1	WASHER 10.2X18.8X0.35 10.2x18.8X0.35	
10	146 2449 000	1	Plunger Indexing	
14	9098309000	1	SUPPORT BATTERY COVER	
15	9098149000	1	Rentv andstank Sc350	
16	9098776000	1	Handle Solution Tank	
17	9099155000	1	Cap Threaded 70X5	
18	9098621000	2	Plate Handle Tank	
19	9098473000	2	COVER PIN	
22	9098148000	1	Snav sev andstank RAL7001	
23	9098391000	1	HANDLE RECOVERY TANK	
24	9099011000	1	Påfy ldningslange Kit	OPTIONAL
K1	9098989000	1	Cov er Kit	Pos 1-2-3-4-5-6-7
K2	9098990000	1	HARDWARE COVER AND TANKS KIT	NOT SHOWN - Pos 3-11-12-13-20-21

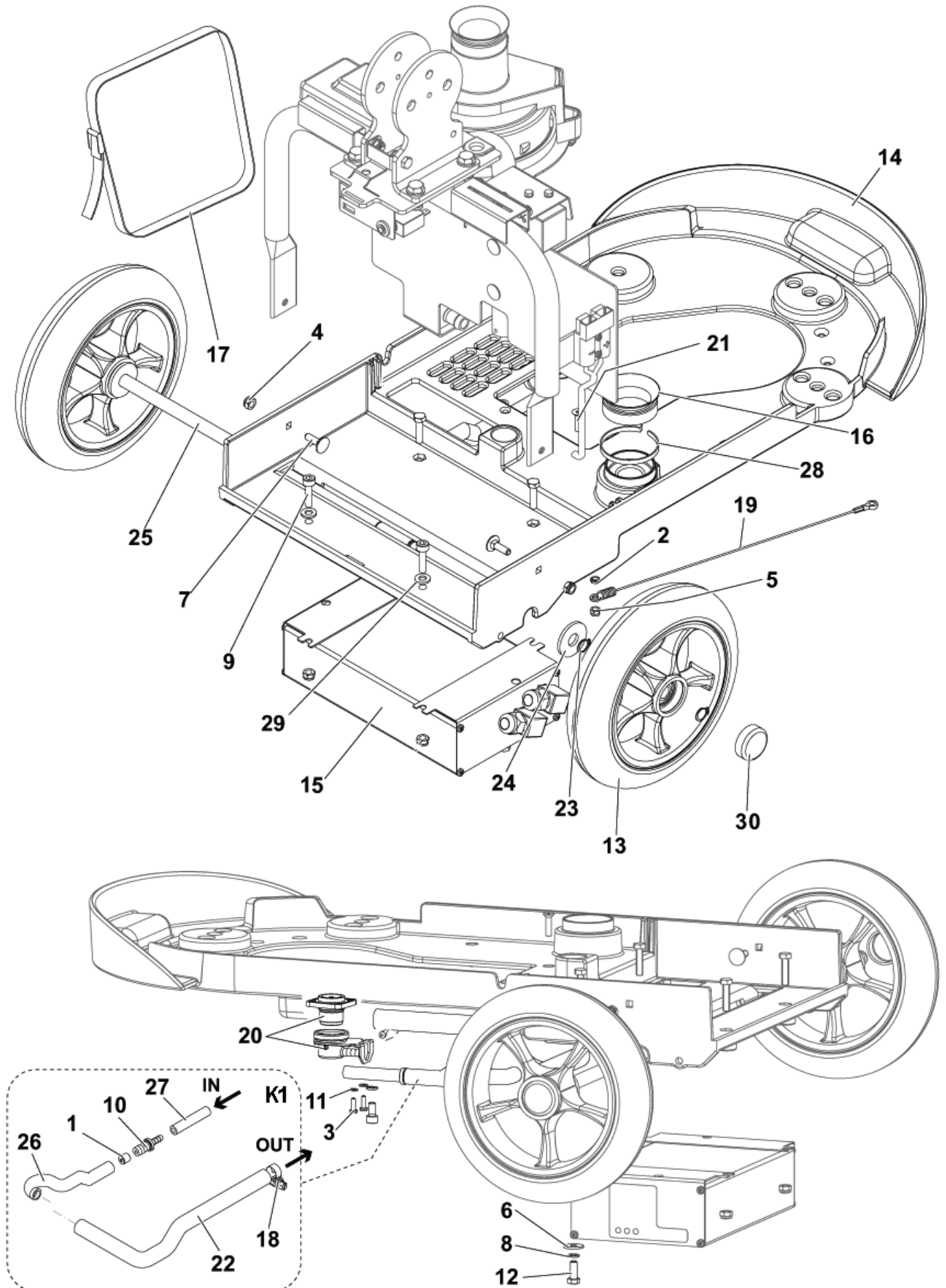
# RAMME

SC350

17-11-2014

StyMiste ID  
SC350050

7



# RAMME

## SC350

17-11-2014

StyMiste ID  
SC350050

8

Pos	Vare nr.	Ant	Beskrivelse	
0	9099926000	1	SUPPORT FOR GASKET KIT	
13	9098237000	2	Wheel D.200Mm	
14	9099927000	1	CHASSIS KIT	
15	9099793000	1	Indbygget oplader 12V 12A SB50G	SEE TSB FC 2013-118
16	9098319000	1	Pakning	
17	146 3054 000	1	Bælte til fastgørelse af batteri	
19	9099042000	1	Cable Deck	
20	9100000514	1	VALVE WATER COMPLETE PKD	
25	9098310000	1	PIN WHEEL	
28	33003513	1	TIE CABLE 4.8X290 BLACK	
30	9098915000	2	PLUG WHEEL	
K1	9098992000	1	Pipes Kit	Pos 1-10-18-22-26-27
K2	9098993000	1	HARDWARE FRAME KIT	NOT SHOWN - Pos 2-3-4-5-6-7-8-9-11-12-21-23-24-28-



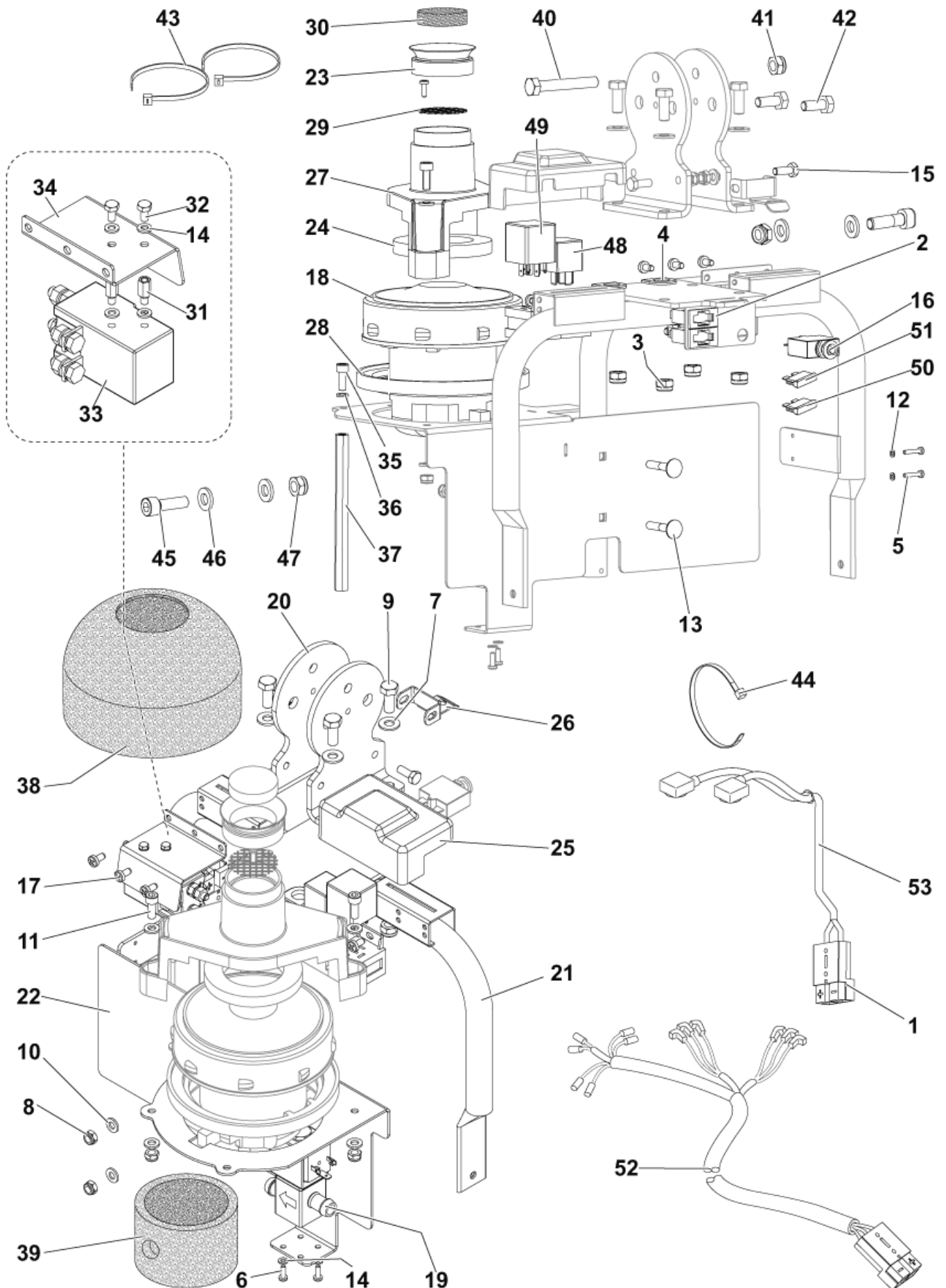
# HANDLE SUPPORT

SC350

17-11-2014

StyMiste ID  
SC350070

9



# HANDLE SUPPORT

SC350

17-11-2014

StyMiste ID  
SC350070

10

Pos	Vare nr.	Ant	Beskrivelse
1	9098760000	2	CONNECTOR 50A GREY
2	9098924000	2	FUSE HOLDER
4	909 6542 000	2	GROMMET
16	909 5706 000	1	Sikring 30A
18	9100000674	1	MOTOR VACUUM 12V 200W PKD
19	9098112000	1	Magnetventil 12V
20	9098185000	2	BRACKET HANDLE
21	9098267000	1	SUPPORT HANDLE
22	9098268000	1	SUPPORT VACUUM MOTOR
23	9098319000	1	Pakning
24	9098327000	1	Pakning til sugemotor
25	9098365000	1	COVER RELAY
26	9098482000	1	BRACKET PLUNGER BLOCK
27	9098483000	1	Cover til sugemotor
28	9098554000	1	GASKET VACUUM MOTOR
29	9098654000	1	Beskyttelse
30	9098655000	1	Filter vacuum motor
33	9098424000	1	Switch electromagnetic
34	9098560000	1	PLATE SUPPORT ELECTR.SWITCH
37	9098559000	1	SPACER SUPPORT VACUUM MOTOR
38	9098656000	1	Støjdæmpning
39	9098925000	1	CASING LOWER VACUUM MOTOR
48	9098441000	1	Relæ 12 Volt
49	9098375000	1	Cyklisk timer
50	145 8513 000	1	Sikring 30A
51	145 9852 000	1	Sikring 5A
52	9098387000	1	HARNESS MACHINE
53	9098849000	1	Harness Battery
K1	9098994000	1	HARDWARE HANDLE BAR SUPP.KIT

NOT SHOWN - Pos 3-5-6-7-8-9-10-11-12-13-14-15-17-3

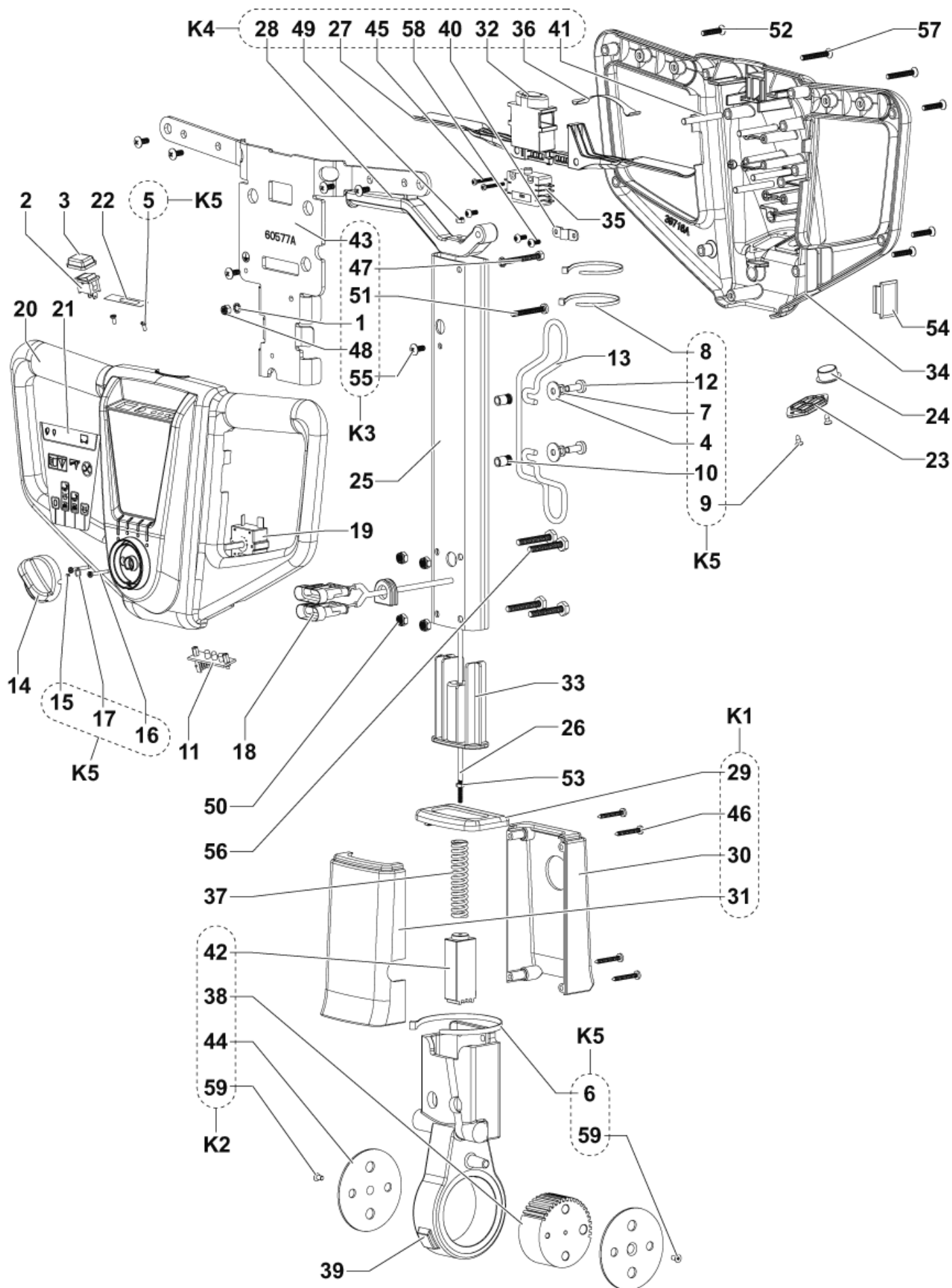
# HÅNDTAGSSTANG

SC350

17-11-2014

StyMiste ID  
SC350090

11



# HÅNDTAGSSTANG

## SC350

17-11-2014

StyMiste ID  
SC350090

12

Pos	Vare nr.	Ant	Beskrivelse	
2	L08603153	1	Vanddoseringskontakt F/Ca340	
3	L08603154	1	Beskyttelseshætte Ca340 F/Vanddoseringsk	
11	146 3073 000	1	BOARD LED	
13	909 5149 000	1	Kabelholder	
14	9097283000	1	KNOB CONTROL FUNCTIONS	
18	9098386000	1	HARNESS HANDLE BAR	
19	9098405000	1	SWITCH ROTATIVE 4 POSITIONS	
20	9098530000	1	FRONT COVER OF HANDLE	
21	9098615000	1	DECAL CONTROL PANEL	
22	9098616000	1	DECAL BATTERY LED	
23	9098812000	1	CAP FOR HANDLE	
24	9098813000	1	CAP D.18.5/D.24MM BLACK	
25	9098835000	1	TUBE OF HANDLE	
26	9098836000	1	ROD INDEX	
33	VF47033	1	RETAINER	
34	39716A	1	REAR COVER OF HANDLE	
35	40263A	1	Kontakt	
37	VF47007	1	SPRING LEVELING	
39	56382002	1	HANDLE MOUNT	
50	VF14506	4	NUT LOCK SS M6	
52	80398A	2	SCREW M5X35 SS HEAD PHILLIPS	
53	VV13609	1	NUT M4	
54	VF54041	1	HANDLE PLUG	
56	GT13019	4	HEX SCREW M6x45	
57	80407A	6	SCREW M5X25 SS FLAT HEAD PHILLIPS	
K1	11271A	1	REAR AND FRONT COVER KIT	Pos 29-30-31-46
K2	11272A	1	LOWER HOUSING KIT	Pos 38-42-44-59
K3	11273A	1	HANDLE SUPPORT KIT	Pos 1-43-47-48-51-55
K4	11274A	1	Udløserkit til håndtag	Pos 27-28-32-36-40-41-45-49-58
K5	9098995000	1	HARDWARE HANDLE BAR KIT	Pos 4-5-6-7-8-9-10-12-15-16-17-59

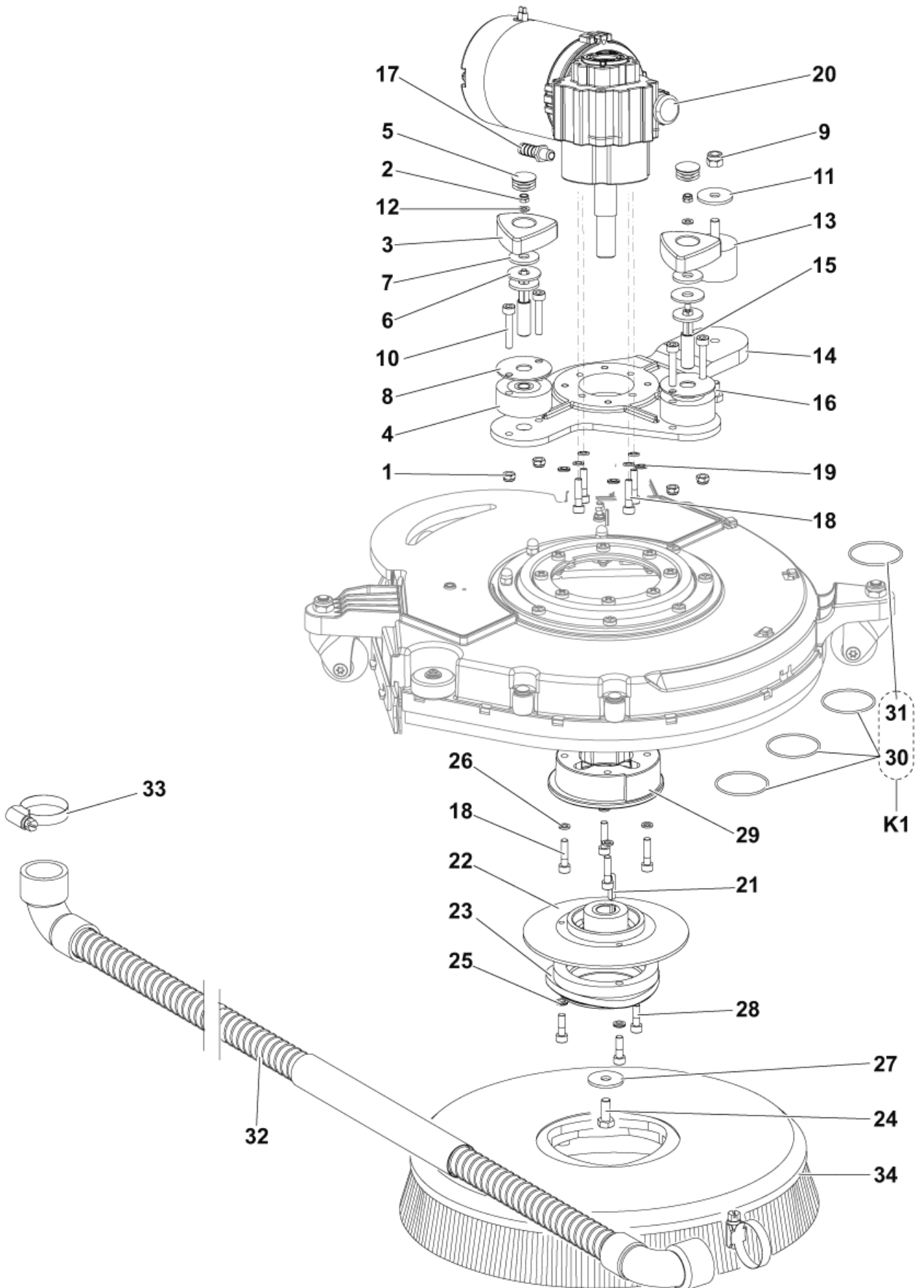
# BRUSH DECK 1

SC350

17-11-2014

StyMiste ID SC350110

13



# BRUSH DECK 1

## SC350

17-11-2014

StyMiste ID  
SC350110

14

Pos	Vare nr.	Ant	Beskrivelse	
0	9099741000	1	SPACER KIT TIL SC350	INST.INSTR.9099742000
3	L08812203	2	Knob Ba450/530	
4	L08812213	2	Hjul, Påkørsel Ba450/530	
5	L08812426	2	Plug Ba450/530	
8	L08812779	2	Metalplade	
13	9097184000	1	Vibration Damping M8 60Sh	
14	9098083000	1	SUPPORT BRUSH DECK	
15	9098557000	2	Pin Brush Plate Fixing	
17	L08601624	1	Slangestuds Plast	
20	1464432000	1	Brush Carbon Kit 4Pcs	
20	9099544000	1	REDUCTION GEARMOTOR 12V 260W KIT	
21	1466146000	1	KEY 5X5X25 UNI6604A PKD	
22	L08812306	1	Poly g. Flange Ba450/530	
23	L08812480	1	Poly g. Holder Ba450/530	
29	9098394000	1	FLANGE BRUSH DECK	
32	9098589000	1	Hose Squeegee	
34	9098529000	1	Børste Polypropylen 14", Ø370 mm	
34	9099006000	1	Børste Polypropylen 14", Ø370 mm	OPTIONAL
34	9099007000	1	Børste Univ ersal/Union mix 14", Ø370 mm	OPTIONAL
34	9099008000	1	Børste Super Grit 14", Ø370 mm	OPTIONAL
34	9099009000	1	Børste Clean Grit 14", Ø370 mm	OPTIONAL
35	10001919	1	Eco Pad grøn 14" Ø355 mm (5 stk.)	NOT SHOWN - OPTIONAL
35	10001920	1	Eco Pad rød 14" Ø355 mm (5 stk.)	NOT SHOWN - OPTIONAL
35	10001921	1	Eco Pad hvid 14" Ø355 mm (5 stk.)	NOT SHOWN - OPTIONAL
35	9099010000	1	Rondelholder D.350Mm	NOT SHOWN - OPTIONAL
35	L00190797	1	"Rondel 14"" 355Mm Brun "	NOT SHOWN - OPTIONAL
K1	9098991000	1	Rings Spring Kit	Pos 30-31
K2	9098996000	1	HARDWARE DECK KIT	NOT SHOWN - Pos 1-2-6-7-9-10-11-12-16-18-1924-25-2



# BRUSH DECK 2

SC350

17-11-2014

StyMiste ID  
SC350130

16

Pos	Vare nr.	Ant	Beskrivelse	
1	9098475000	1	Brush Linear	
2	L08603027	1	Stødhjul F/Ca340 F/Sugeskjold	
4	L08603402	2	Hjul, Sugedyse BA/Ca340	
14	9099163000	3	Castor Hjul D42	
16	9098399000	1	STRAP REAR SQUEEGEE 455MM/18	
17	9098400000	1	COVER BRUSH DECK	
19	9098402000	1	Koblingsdæk, gummi	
21	9098473000	2	COVER PIN	
22	9098477000	1	COUNTERWEIGHT	
23	9099027000	1	Sugegummi kit, Poly urethan, 470 mm	
24	9098568000	1	STRAP FRONT SQUEEGEE 455MM/18	
26	9098620000	3	Vibrationsdæmpning 6 D.20 X10	
27	9098633000	2	PLATE BUMPER FIX	
K1	9098997000	1	COUPLING DECK KIT	Pos 5-8-10-12-18-19-20-26
K2	9098998000	1	SUGELÆBE KIT KOMPLET	Pos 15-16-23-24
K3	9098999000	1	Hardware Cover Deck Kit	NOT SHOWN- Pos 3-6-7-9-11-13-28-29-30-31



# ANBEFALEDE RESERVEDELE

SC350

17-11-2014

StyMiste ID SC350170

17

Ingen tegning

# ANBEFALEDE RESERVEDELE

SC350

17-11-2014

StyMiste ID

SC350170

18

Pos	Vare nr.	Ant	Beskrivelse	
	145 8513 000	1	Sikring 30A	
	40263A	1	Kontakt	
	9098441000	1	Relæ 12 Volt	
	9098760000	2	CONNECTOR 50A GREY	
	9099127000	1	GASKET RUBBER L.705MM PKD	
	145 9852 000	1	Sikring 5A	
	909 5706 000	1	Sikring 30A	
	9098112000	1	Magnetventil 12V	
	9098237000	2	Wheel D.200Mm	
	9098319000	2	Pakning	
	9098327000	1	Pakning til sugemotor	
	9098375000	1	Cyklisk timer	
	9098405000	1	SWITCH ROTATIVE 4 POSITIONS	
	9098424000	1	Switch electromagnetic	
	9098589000	1	Hose Squeegee	
	9098655000	1	Filter vacuum motor	
	9098992000	1	Pipes Kit	
	9098997000	1	COUPLING DECK KIT	
	9098998000	1	SUGELÆBE KIT KOMPLET	
	9099027000	1	Sugegummi kit, Polyurethan, 470 mm	
	9099042000	1	Cable Deck	
	9099163000	3	Castor Hjul D42	
	9099544000	1	REDUCTION GEARMOTOR 12V 260W KIT	
0	9099793000	1	Indbygget oplader 12V 12A SB50G	SEE TSB FC 2013-118
	910000514	1	VALVE WATER COMPLETE PKD	
	910000674	1	MOTOR VACUUM 12V 200W PKD	
	L08812480	1	Poly g. Holder Ba450/530	