

KSP 770

Model:
KSP 770



Part List English

16-09-2014

Table of Contents

KSP 770

Motor	3
Wheels. Belt drive =>31.12.2001	5
Cabinet top	7
Handle =>30.11.2001	9
Roller brush	11
Dust drawer	13
Side brush	15
Wheels. Belt drive 01.01.2002=>	17
Handle 01.12.2001=>	19

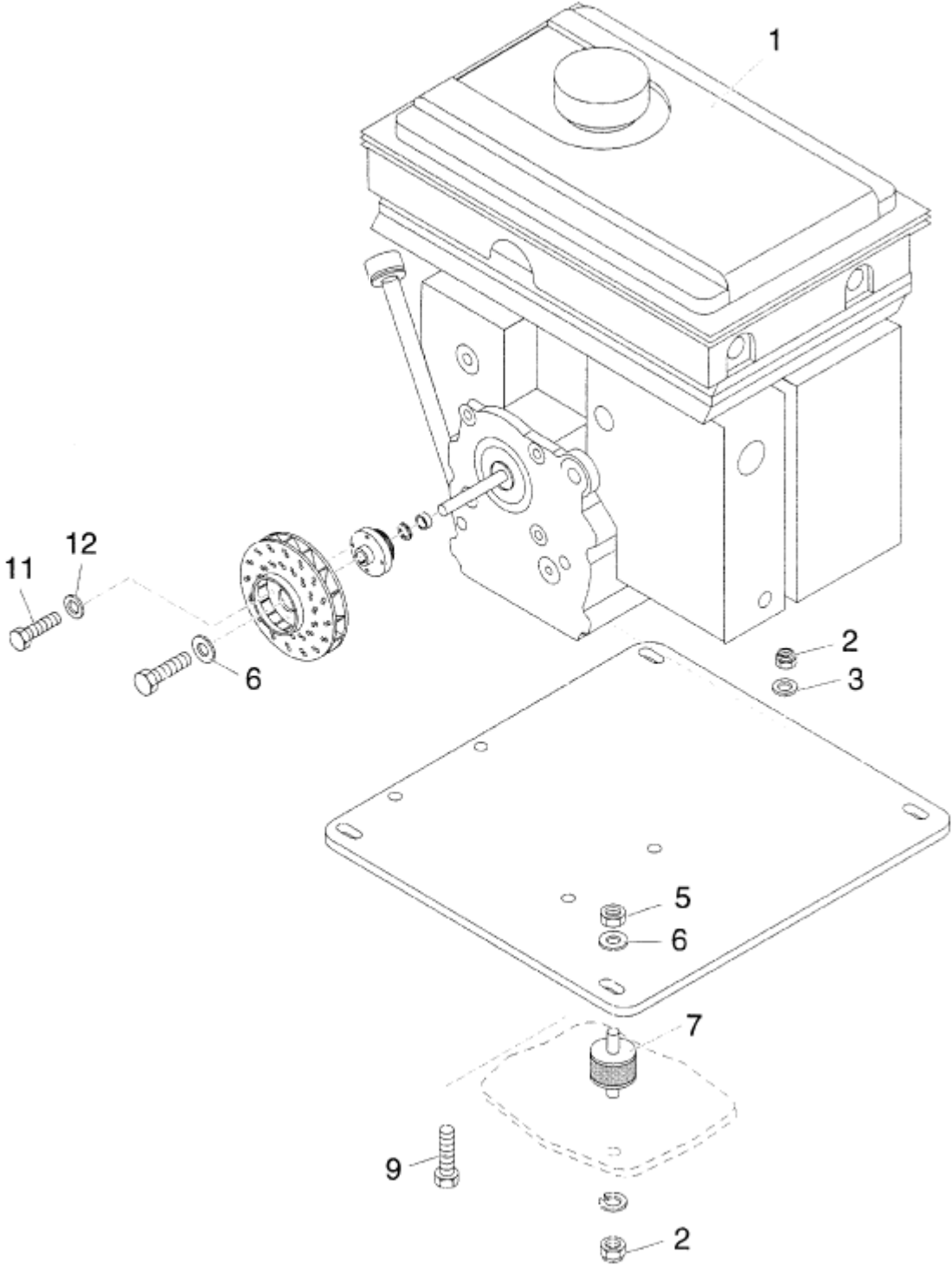
Motor

KSP 770

16-09-2014

Part List ID
KSP77001

3



Motor

KSP 770

16-09-2014

Part List ID
KSP77001

4

Pos	Part no.	Qty	Description	
1	1654	1	CLAMPS	WITHOUT ILLUSTRATION
1	61568	1	PETROL ENGINE	
1	61569	1	SCREW PLUG	WITHOUT ILLUSTRATION
2	1800515	1	LOCK NUT M8 (4100190)	
3	2762	1	WASHER	
5	2758	1	NUT	
6	2793	1	WASHER	
7	26608	1	SUPPORT	
9	2756	1	BOLTS	
11	8917	1	RETAINER PLATE	
12	2764	1	DISC WAS 9323	
98	11665	1	STECKHÜLSE 6.3-2.5 DIN 46247 MS	WITHOUT ILLUSTRATION
99	11666	1	FEMALE FITTING	WITHOUT ILLUSTRATION

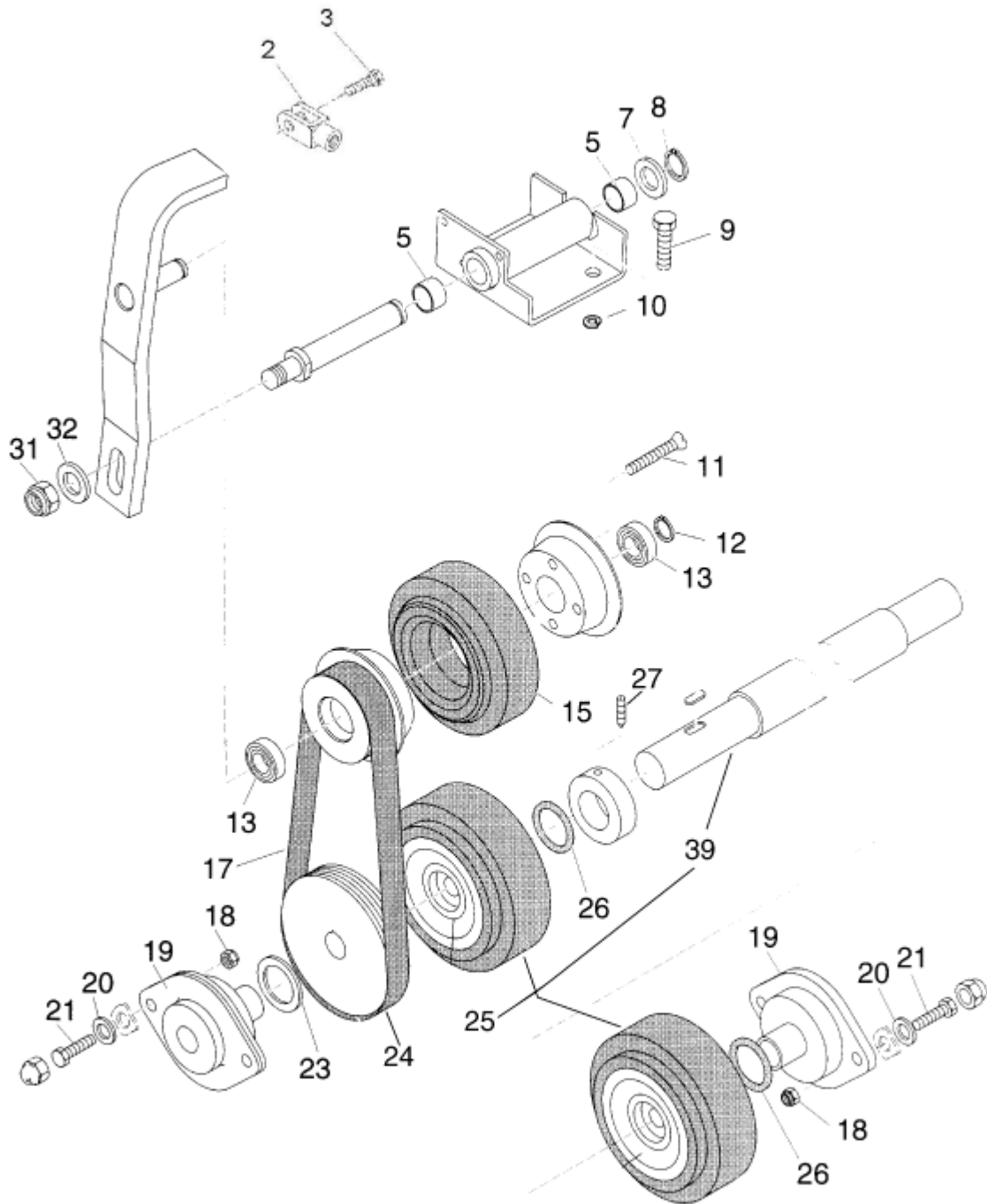
Wheels. Belt drive =>31.12.2001

KSP 770

16-09-2014

Part List ID
KSP77002

5



Wheels. Belt drive =>31.12.2001

KSP 770

16-09-2014

Part List ID
KSP77002

6

Pos	Part no.	Qty	Description
2	909100068	1	FORK HEAD
3	3285	1	HEX. SCREW M6X35 ISO 4017 ZN
8	27279	1	SAFETY RING
9	6557	1	SCREW
10	2770	1	SPRING WASHER
11	8947	1	COUNTERSUNK SCREW
12	23483	1	SECURE RING
13	20938	1	BEARING was 2809
15	61510	1	TYRE Ø124X36 FOR DRIVE
17	61511	1	BELT
18	11619	1	NUT
19	61512	1	BEARING UNIT
20	2764	1	DISC WAS 9323
21	2754	1	BOLT was 2757
23	24191	1	DISC FOR DYNAMICS
24	303000416	1	BELT PULLEY Ø91X20 KSE
25	303000254	1	CONVERSION SET WHEEL KSE/
26	56523	1	O-RING
27	22369	1	HEXAGON SOCKET SET SCREW
31	40018	1	NUT 6KT- M12 985 ZN
32	2768	1	WASHER 13X2.5 ISO 7090 ZN
39	303000196	1	WHEEL HANDLEBAR Ø20X550

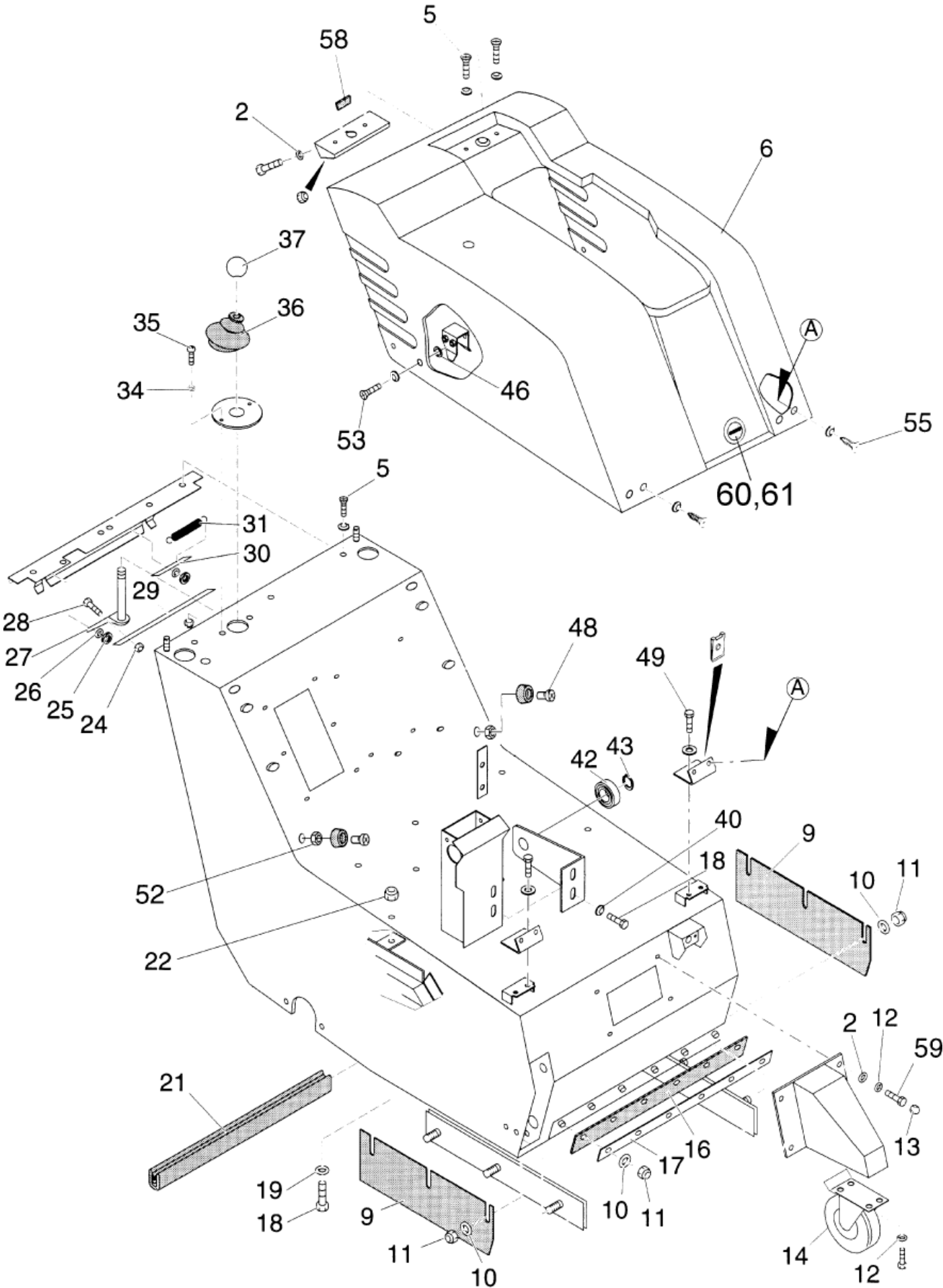
Cabinet top

KSP 770

16-09-2014

Part List ID
KSP77003

7



Cabinet top

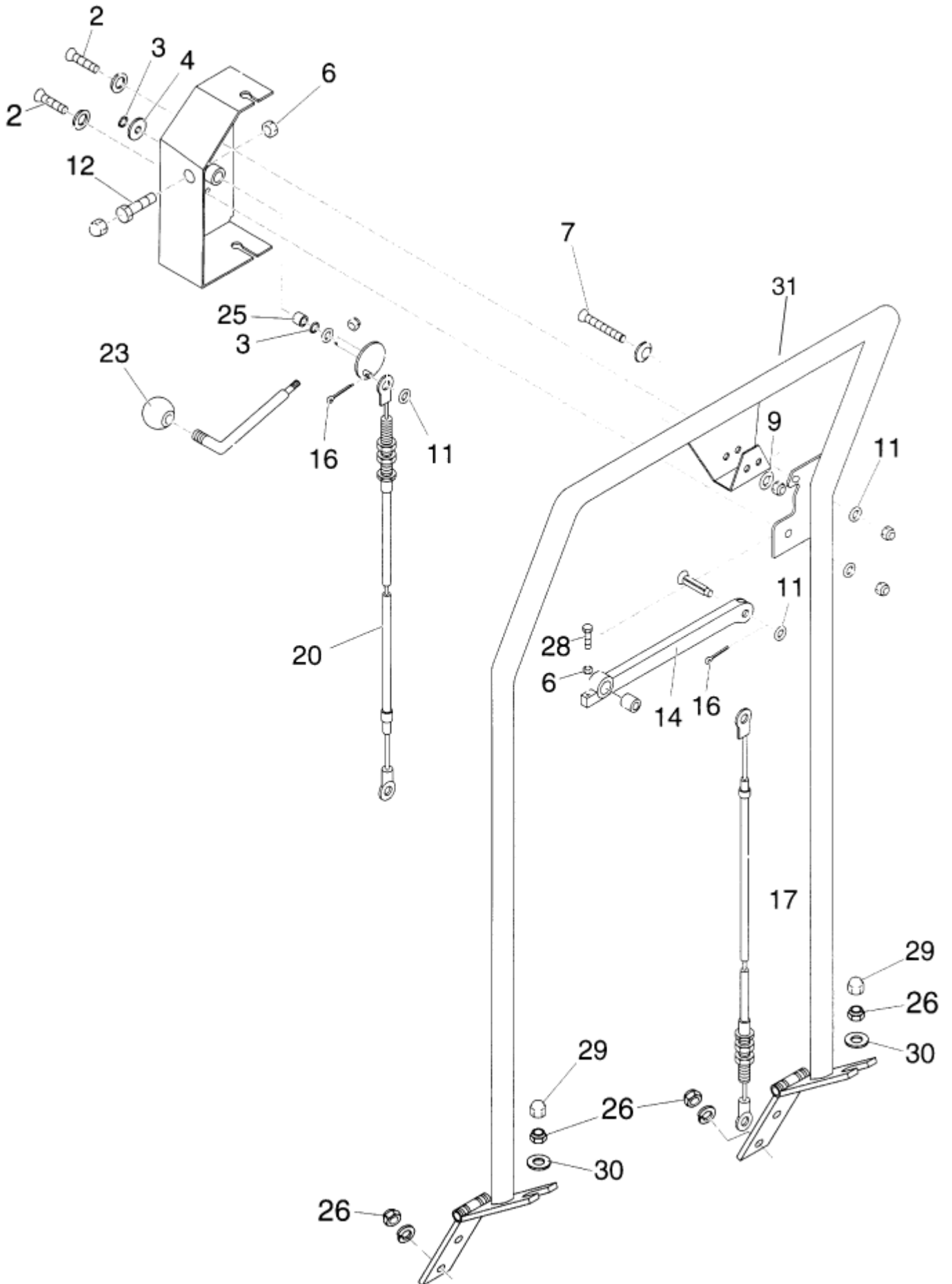
KSP 770

16-09-2014

Part List ID
KSP77003

8

Pos	Part no.	Qty	Description	
2	2762	1	WASHER	
5	8946	1	BOLT	
6	67093	1	COVER KSP 770 BLUE COL.10	
9	61538	1	RUBBER LIPS	
10	2763	1	WASHER WAS 34987	
11	6629	1	CAP NUT M5 DIN 1587	
12	2770	1	SPRING WASHER	
13	29993	1	CAP	
14	61542	1	GUIDE ROLLER	
16	61539	1	RUBBER LIP	
17	61540	1	CLAMP SEAL FOR SUCTION RAIL	
18	2754	1	BOLT was 2757	
19	2764	1	DISC WAS 9323	
21	61541	1	RUBBER LIP	
22	11619	1	NUT	
24	2760	1	HEXAGON NUT	
25	1800515	1	LOCK NUT M8 (4100190)	
26	2762	1	WASHER	
27	61543	1	LOCKING LEVER	
28	7473	1	HEX. SCREW M5X12 ISO 4017 VA	
31	61548	1	TENSION SPRING	
34	3092	1	DISC A 4.3	
36	61546	1	FOLD FITTING Ø67X40 KSE/P 7	
37	61528	1	SPHERICAL HANDLE Ø32 C M	
40	2766	1	DISC	
42	61486	1	BALL BEARING	
43	27180	1	RING	
46	5166	1	WASHER	
49	7473	1	HEX. SCREW M5X12 ISO 4017 VA	
52	2760	1	HEXAGON NUT	
53	8949	1	COUNTERSUNK SCREW M5X20 ISO 7047 ZN	
55	11253	1	STEEL SCREW	
58	6250	1	ADHESIVE TAPE	PLEASE INDICATE LENGTHS IN METRES WHEN ORDERING
59	6557	1	SCREW	
60	62596	1	SHEET METAL 1.5X80X40.5X2	WITHOUT ILLUSTRATION
61	62597	1	SWIVEL LOCK	WITHOUT ILLUSTRATION



Handle =>30.11.2001

KSP 770

16-09-2014

Part List ID
KSP77004

10

Pos	Part no.	Qty	Description
3	23483	1	SECURE RING
4	2768	1	WASHER 13X2.5 ISO 7090 ZN
6	3136	1	NUT M 6 ZINC C
7	17737	1	SCREW
9	2766	1	DISC
11	2764	1	DISC WAS 9323
12	3285	1	HEX. SCREW M6X35 ISO 4017 ZN
14	61514	1	HEBEL F. FAHRANTRIEB KSE-
17	61516	1	BOWDEN WIRE
20	61517	1	BOWDEN CABLE
23	61528	1	SPHERICAL HANDLE Ø32 C M
26	1800515	1	LOCK NUT M8 (4100190)
28	2806	1	BOLT
29	29993	1	CAP
30	2793	1	WASHER
31	303000523	1	REWORK KIT KSE/KSP 770

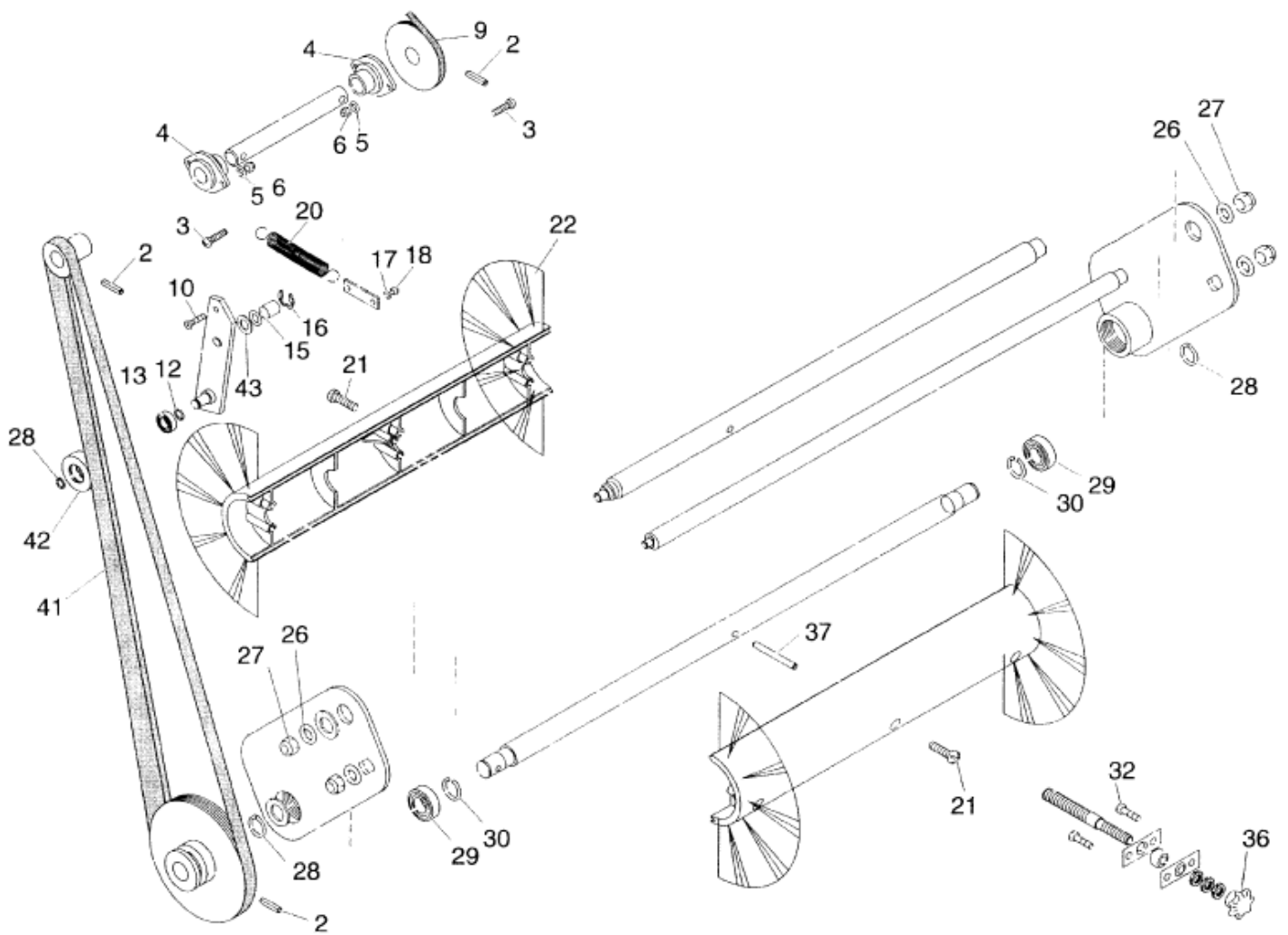
Roller brush

KSP 770

16-09-2014

Part List ID
KSP77005

11



Roller brush

KSP 770

16-09-2014

Part List ID
KSP77006

12

Pos	Part no.	Qty	Description
2	61519	1	PIN
3	8884	1	FLAT HEAD SCREW M6X16 DIN 603 ZN
4	61512	1	BEARING UNIT
5	2764	1	DISC WAS 9323
6	11619	1	NUT
9	61571	1	BELT
10	46349	1	COUNTERSUNK SCREW M5X16
12	44943	1	RING
13	44938	1	BEARING
15	61520	1	SLEEVE D10XD12X15
16	8782	1	CIRCLIP
17	2763	1	WASHER WAS 34987
18	7417	1	HEXAGON NUT
20	61548	1	TENSION SPRING
21	43341	1	SCREW
22	60642	1	BK900 MAIN BRUSH ASSM
			COMPLETE, WITH POS. 21 + 37
26	2762	1	WASHER
27	1800515	1	LOCK NUT M8 (4100190)
28	20180	1	RIVET NUT M6X15 ALU
29	61486	1	BALL BEARING
30	22331	1	640CLIP FOR BORES
32	7473	1	HEX SCREW M5X12 ISO 4017 VA
36	6452	1	KNOB
37	53610	1	PIN Ø 6X53
41	61521	1	BELT
41	63964	1	PULLEY. V-RIBBED BELT DIN
			PULLEY FOR BELT ITEM 61521
42	61522	1	TENSION ROLL
43	27145	1	SHIM RING AND SUPPORTING

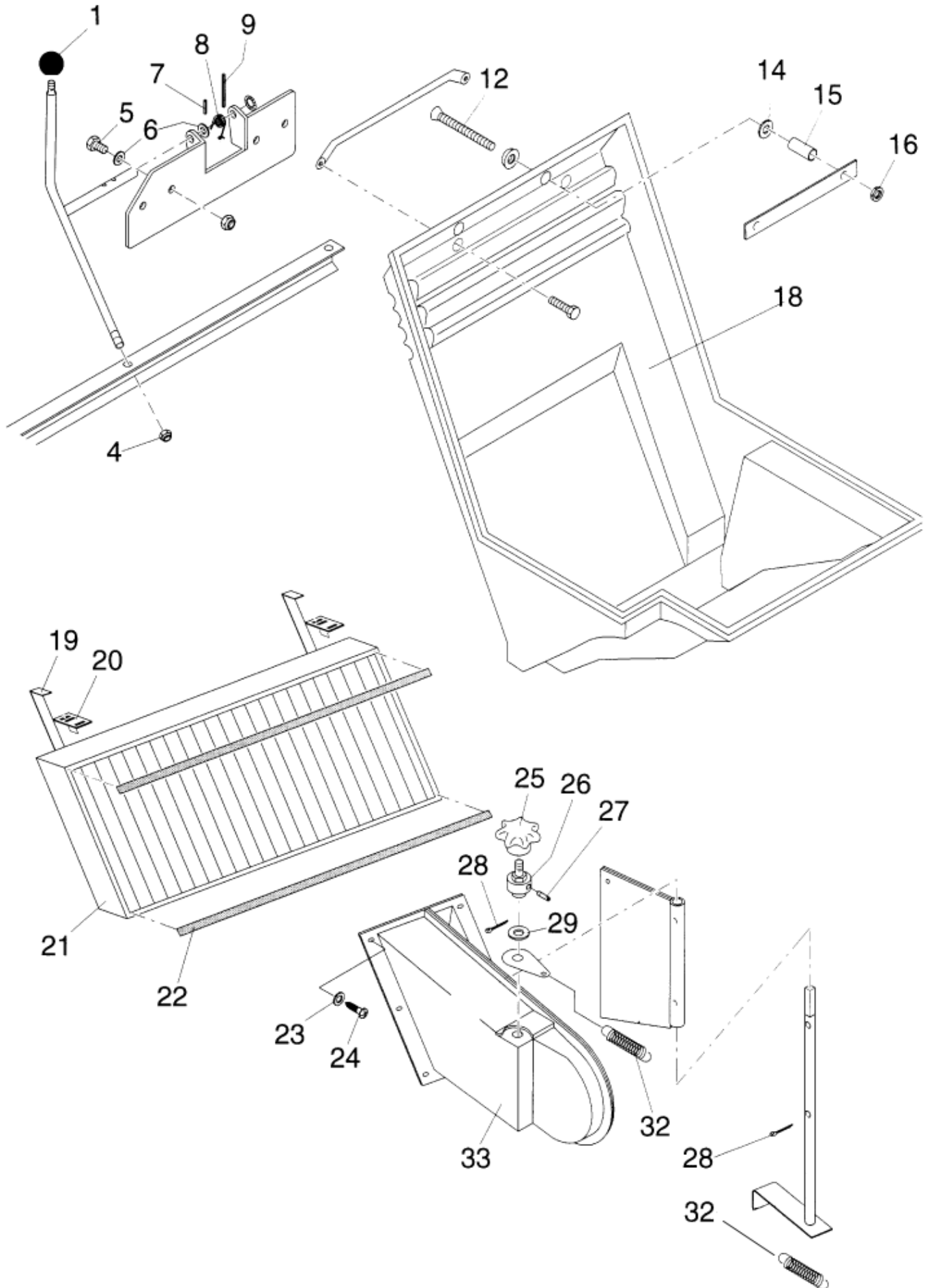
Dust drawer

KSP 770

16-09-2014

Part List ID
KSP77006

13



Dust drawer

KSP 770

16-09-2014

Part List ID
KSP77006

14

Pos	Part no.	Qty	Description
1	61528	1	SPHERICAL HANDLE Ø32 C M
4	11619	1	NUT
5	2750	1	HEXAGON CAP SCREW
6	2762	1	WASHER
7	40091	1	SLEEVE
8	61554	1	TORSION SPRING 1.5X14X30
9	61529	1	SPRING-TYPE STRAIGHT PIN
12	8948	1	SCREW
14	2766	1	DISC
15	61530	1	DIVIDER
16	3136	1	NUT M 6 ZINC C
18	67089	1	CABINET KSE 770
19	61532	1	CLIP FOR FILTER KSE/KSP
20	61533	1	STRAP
21	61482	1	FILTER CASSETTE
22	6250	1	ADHESIVE TAPE
			PLEASE INDICATE LENGTHS IN METRES WHEN ORDERING
23	2764	1	DISC WAS 9323
24	10028	1	STEEL SCREW FOR SYNTH MAT
25	43286	1	BOLT FOR BK 900
26	61534	1	SQUARE HOLDER
29	2768	1	WASHER 13X2.5 ISO 7090 ZN
32	61547	1	TENSION SPRING

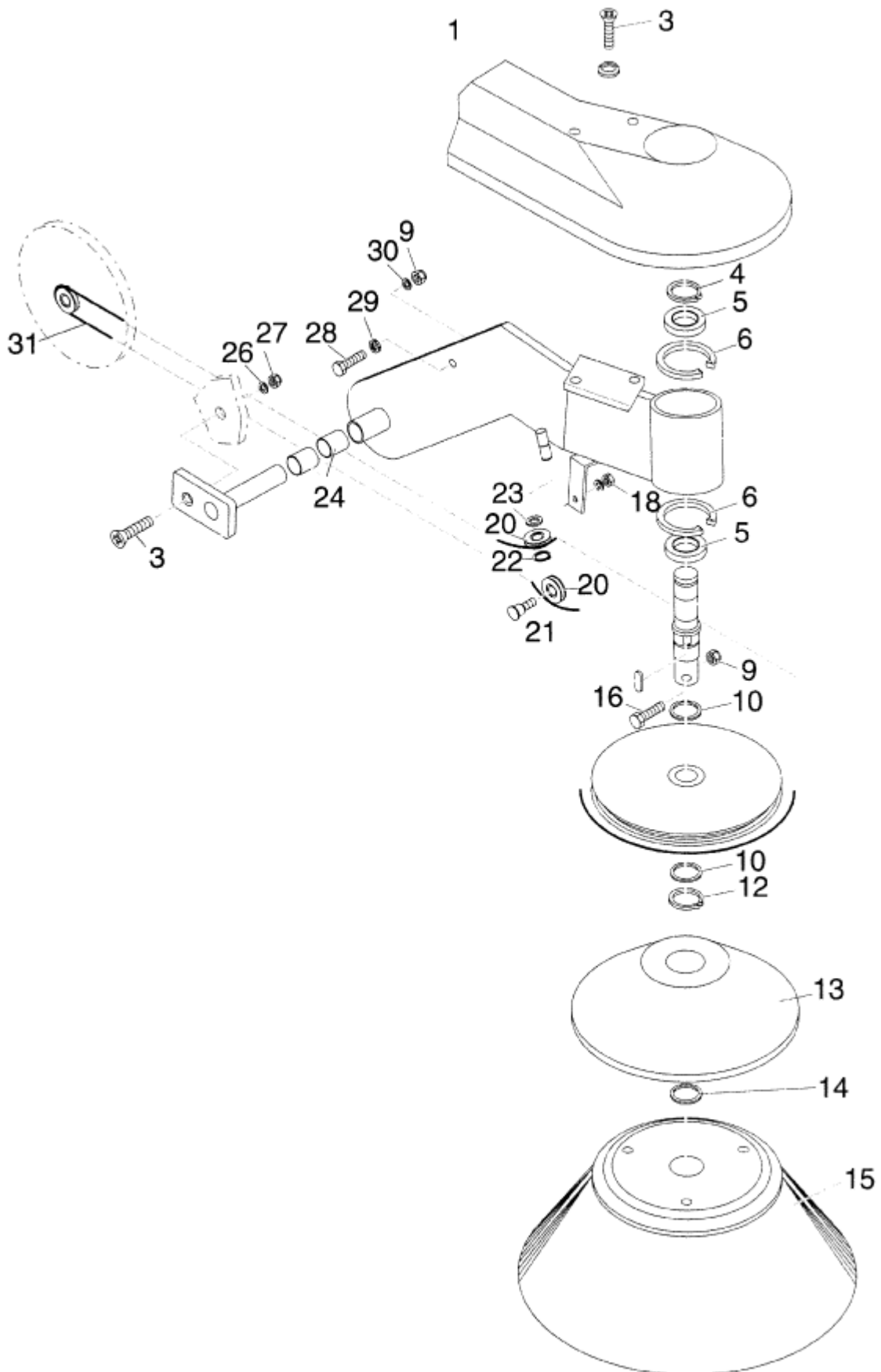
Side brush

KSP 770

16-09-2014

Part List ID
KSP77007

15



Side brush

KSP 770

16-09-2014

Part List ID
KSP77007

16

Pos	Part no.	Qty	Description
1	61523	1	SIDE BRUSH COVER KSE/KSP
3	46349	1	COUNTERSUNK SCREW M5X16
4	27279	1	SAFETY RING
5	44940	1	BEARING
6	44943	1	RING
9	11619	1	NUT
10	60727	1	SHIM RING AND SUPPORTING
12	27180	1	RING
13	60721	1	DISC MOULDING
14	60720	1	SHIM RING 14X20X0.5
15	303000062	1	ROPE BRAKE KSE-P 770/970
16	8918	1	SCREW - RA500
18	3136	1	NUT M 6 ZINC C
20	61524	1	PULLEY
21	61525	1	BEARING PIN
22	8878	1	SAFETY RING-NOW 11544
23	2767	1	WASHER
24	61520	1	SLEEVE D10XD12X15
26	2763	1	WASHER WAS 34987
27	7417	1	HEXAGON NUT
28	6991	1	RAISED DOME HEAD SCREW M6X25 DIN 7985 ZN
29	3136	1	NUT M 6 ZINC C
30	2764	1	DISC WAS 9323
31	61481	1	PULLEY BELT

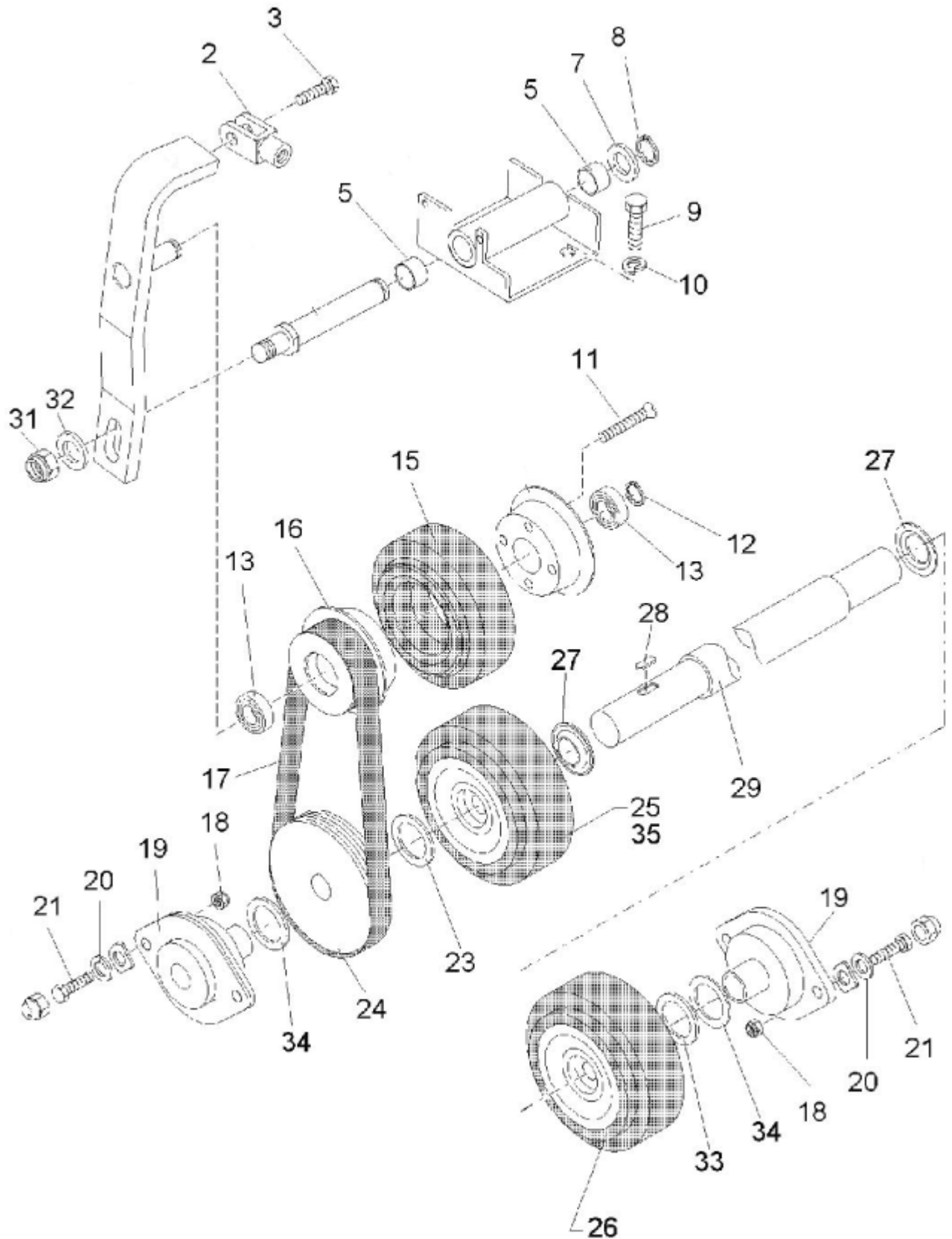
Wheels. Belt drive 01.01.2002=>

KSP 770

16-09-2014

Part List ID
KSP77008

17



Wheels. Belt drive 01.01.2002=>

KSP 770

16-09-2014

Part List ID
KSP77008

18

Pos	Part no.	Qty	Description
2	909100068	1	FORK HEAD
3	3285	1	HEX. SCREW M6X35 ISO 4017 ZN
8	27279	1	SAFETY RING
9	6557	1	SCREW
10	2770	1	SPRING WASHER
11	8947	1	COUNTERSUNK SCREW
12	23483	1	SECURE RING
13	20938	1	BEARING was 2809
15	61510	1	TYRE Ø124X36 FOR DRIVE
16	106522531	1	BELT PULLEY KSP 770 970
17	61511	1	BELT
18	11619	1	NUT
19	61512	1	BEARING UNIT
20	2764	1	DISC WAS 9323
21	2754	1	BOLT was 2757
23	909100358	1	WASHER 17X24X0.5 DIN
24	303000416	1	BELT PULLEY Ø91X20 KSE
25	303000375	1	WHEEL Ø150X46 RIGHT SIDE
26	303000374	1	WHEEL Ø150X46 LEFT SIDE
27	303000378	1	WASHER 33.0X17.0X2.0 K
28	3200755	1	KEY
29	303000376	1	WHEEL HANDLEBAR Ø16X508
31	40018	1	NUT 6KT- M12 985 ZN
32	2768	1	WASHER 13X2.5 ISO 7090 ZN
33	909100358	1	WASHER 17X24X0.5 DIN
34	24191	1	DISC FOR DYNAMICS
35	62243	1	INNER RING IR 17X20X20

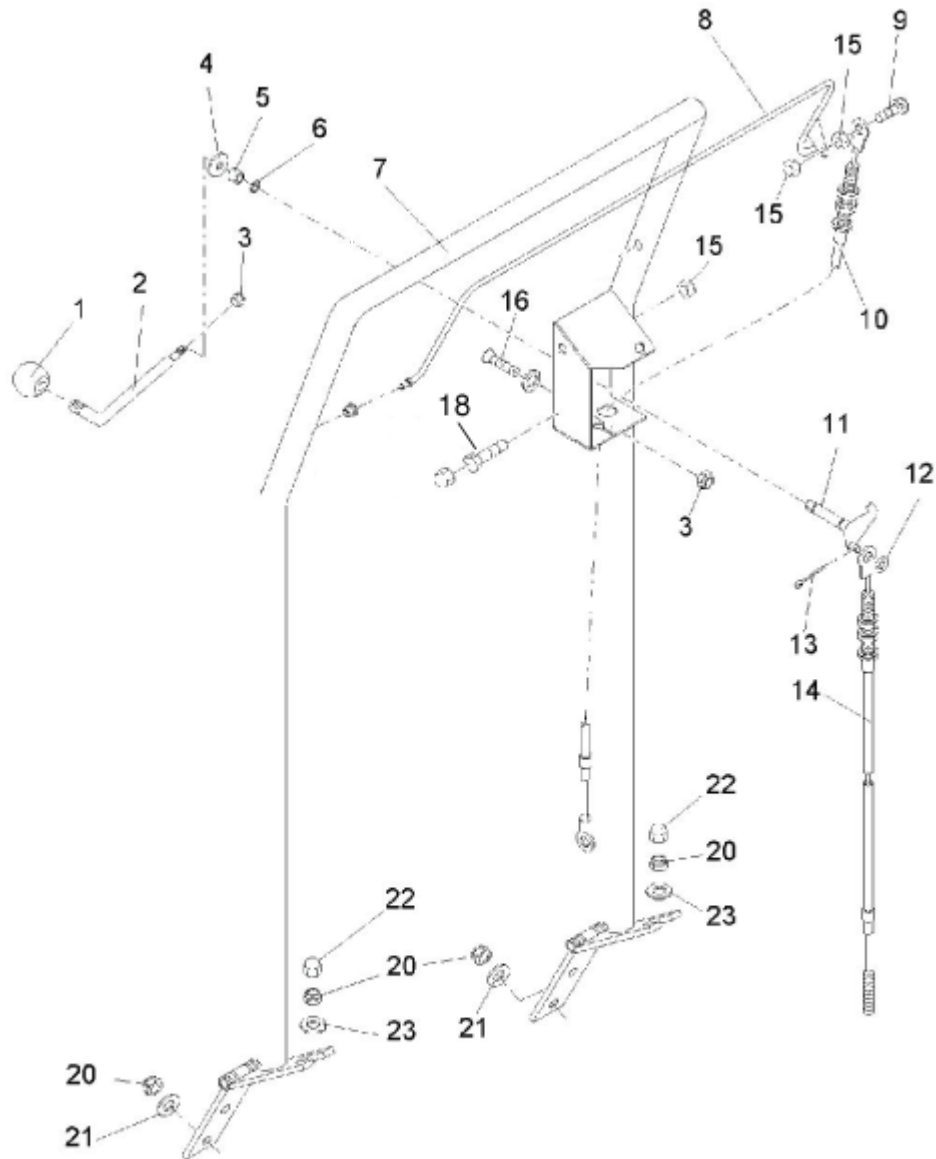
Handle 01.12.2001=>

KSP 770

16-09-2014

Part List ID
KSP77009

19



Handle 01.12.2001=>

KSP 770

16-09-2014

Part List ID
KSP77009

20

Pos	Part no.	Qty	Description
1	61528	1	SPHERICAL HANDLE Ø32 C M
2	65135	1	SHIFT LEVER
3	11619	1	NUT
4	2768	1	WASHER 13X2.5 ISO 7090 ZN
6	23483	1	SECURE RING
7	65053	1	BOW
8	65050	1	LEVER inKSE/P 770in
9	17847	1	HEX. SCREW M6X20 ISO 4017 VA
10	303000199	1	BOWDEN CABLE
12	2764	1	DISC WAS 9323
14	61517	1	BOWDEN CABLE
15	11619	1	NUT
16	8946	1	BOLT
18	3285	1	HEX. SCREW M6X35 ISO 4017 ZN
20	1800515	1	LOCK NUT M8 (4100190)
21	2762	1	WASHER
22	29993	1	CAP
23	2793	1	WASHER