

# FLOORTEC 550P

---

Model:  
FLOORTEC 550 P



Part List English

09-09-2014

**Nilfisk**  
**ALTO**  
works for you

[www.nilfisk-alto.com](http://www.nilfisk-alto.com)

# Table of Contents

FLOORTEC 550P

<b>Chassis system</b>	<b>3</b>
<b>Main broom assy</b>	<b>5</b>
<b>Side broom assy</b>	<b>7</b>
<b>Drive wheel assy</b>	<b>9</b>
<b>Hopper system</b>	<b>11</b>
<b>Engine assy</b>	<b>13</b>
<b>Transmission assy</b>	<b>15</b>
<b>Belt tensioner system</b>	<b>17</b>
<b>Motor reduction assy</b>	<b>19</b>
<b>Control panel</b>	<b>22</b>
<b>Dust control system</b>	<b>24</b>
<b>Handle system</b>	<b>26</b>
<b>Hub assembly left &amp; right</b>	<b>28</b>
<b>Decals</b>	<b>30</b>
<b>Wear parts</b>	<b>32</b>
<b>Options</b>	<b>34</b>

# Chassis system

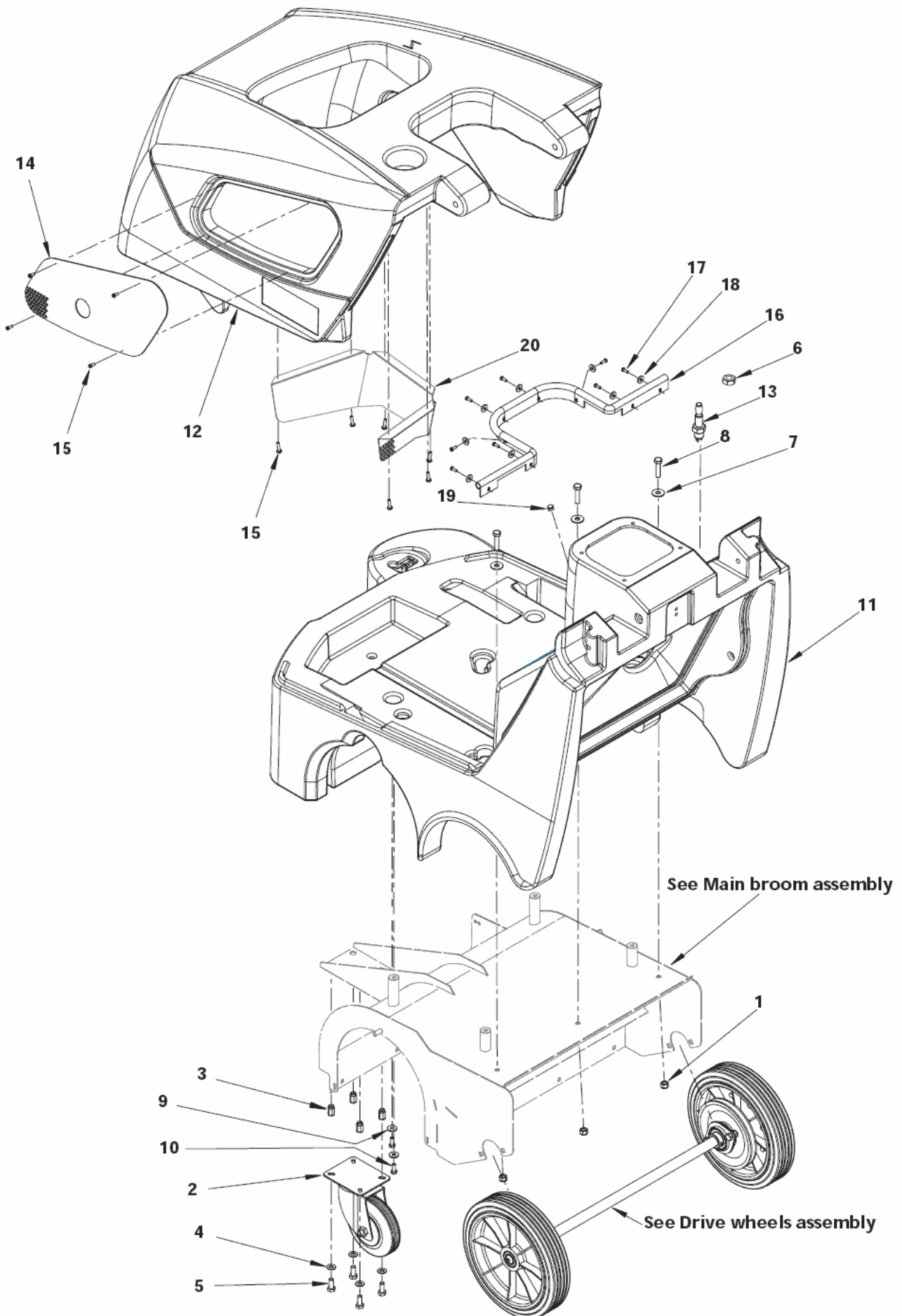
FLOORTEC 550P

09-09-2014

Part List ID

550P01

3



# Chassis system

## FLOORTEC 550P

09-09-2014

Part List ID  
550P01

4

Pos	Part no.	Qty	Description
1	33005607	3	NUT SELF L. M8 UNI7474
2	145 5115 000	1	Wheel
2	146 0569 000	1	WHEEL WITH BRAKE <span style="float: right;">OPTIONAL</span>
3	145 6133 000	4	INSERT M8
4	33005915	4	WASHER M8 UNI6592
5	33005444	4	SCREW M8X20 UNI5739 GALVANIZED
6	146 0637 000	1	NUT HEX M14 UNI5589
7	L08300000	3	Washer
8	33003997	3	SCREW M8X35 UNI5739
9	L08228600	2	Washer
10	33003974	2	SCREW M6X16 UNI5739
11	146 2324 000	1	CHASSIS ROTOMOLDED
12	146 2332 000	1	HOOD ROTOMOLDED.PETROL
13	146 0680 000	1	SWITCH,HOOD SAFETY
14	146 0688 000	1	GRATE OUTLET
15	L08812590	10	SCREW 4.5X19 THD FORM
16	146 0662 000	1	GASKET BONNET L.750MM
17	146 0669 000	8	SCREW 4X12
18	145 1261 000	8	plain washer 5 x 15 zn
19	145 4260 000	1	CAP D.14,7
20	146 0768 000	1	Grate



# Main broom assy

FLOORTEC 550P

09-09-2014

Part List ID 550PUZ

6

Pos	Part no.	Qty	Description
1	L08812095	3	SCREW M6X16
2	145 4652 000	10	main screw
3	145 4772 000	3	INSERT M6
4	145 4792 000	1	CENTRAL BRUSH
4	145 4973 000	1	MAIN BRUSH UNION MIX OPTIONAL
4	145 4974 000	1	MAIN BRUSH NATURAL FIBRE OPTIONAL
5	146 0551 000	1	SUPPORT MAIN BROOM
6	146 2329 000	1	HATCH RT CLOSING MAIN BROOM SPACE BLACK
7	146 0554 000	1	SKIRT FRONT/REAR STANDARD
8	146 0555 000	2	SKIRT SIDE RIGHT/LEFT STANDARD SBR BLACK RUBBER
8	146 0587 000	2	SKIRT SIDE NON MARKING OPTIONAL
9	146 2330 000	2	PLATE FRONT SKIRT
10	146 2331 000	2	PLATE SIDE SKIRT
11	146 0586 000	2	SKIRT FRONT NON MARKING OPTIONAL
11	146 0628 000	1	SKIRT FRONT SOFT
12	145 5867 000	9	SCREW
13	L08603682	2	Hex nut self locking SS M
14	145 5035 000	1	KNOB
15	146 2085 000	1	SCREW 3.9X13
16	33003972	2	SCREW M6X12 UNI5739
17	146 2326 000	1	HATCH LEFT MAIN BROOM

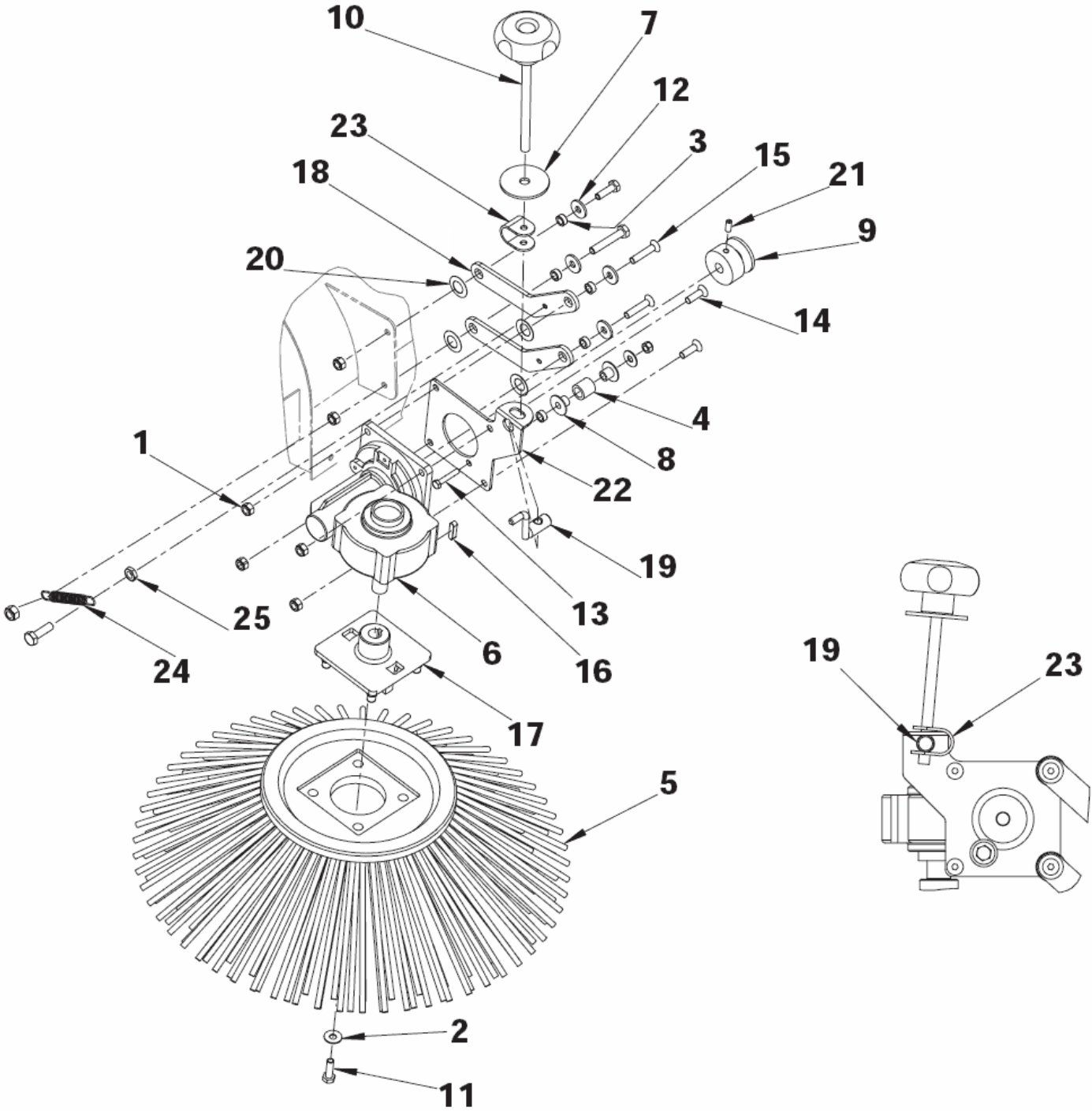
# Side broom assy

FLOORTEC 550P

09-09-2014

Part List ID  
550P03

7



# Side broom assy

FLOORTEC 550P

09-09-2014

Part List ID  
550PU3

8

Pos	Part no.	Qty	Description
1	33005604	9	NUT SELF L. M6 UNI7474
2	146 0250 000	1	WASHER 6.4X16.31X1 UNI739
3	145 1252 000	4	spacer d.6,5xd.10x4,5
4	145 1751 000	1	Spacer d10,5xd. 15 x 15
5	145 1899 000	1	SIDE BRUSH 180X420 PPL OPTIONAL
5	145 4959 000	1	SIDE BRUSH STEEL MIX
5	145 4976 000	1	SIDE BRUSH NATURAL FIBRE OPTIONAL
5	146 0678 000	1	BRUSH SIDE 180X347 NYLON OPTIONAL
6	145 2324 000	1	Right gear
7	146 1488 000	1	WASHER
8	145 4744 000	2	spacer d.6,3*d.20*10
9	145 5470 000	1	gear control pulley
10	145 8455 000	1	Knob M 8x112
11	33003975	3	SCREW M6X20 UNI5739
12	L08228600	4	Washer
13	33003978	2	SCREW M6X35 UNI5739
14	33004578	2	SCREW M6X20 UNI5933
15	33004580	2	SCREW M6X30 UNI5933
16	145 9774 000	1	Key 5x 5x20 (min 10 box)
17	146 0402 000	1	BRUSH HOLDING FLANGE
18	146 0558 000	2	Arm side broom
19	146 0560 000	1	Hook side broom
20	146 0617 000	4	BELLEVILLE WASHER
21	146 0622 000	1	SCREW GRUB M5X12 UNI5929
22	146 0703 000	1	PLATE
23	146 0712 000	1	Clamp
24	145 0274 000	1	Belt stretcher lever
25	33005531	1	NUT HEX M6 UNI5589



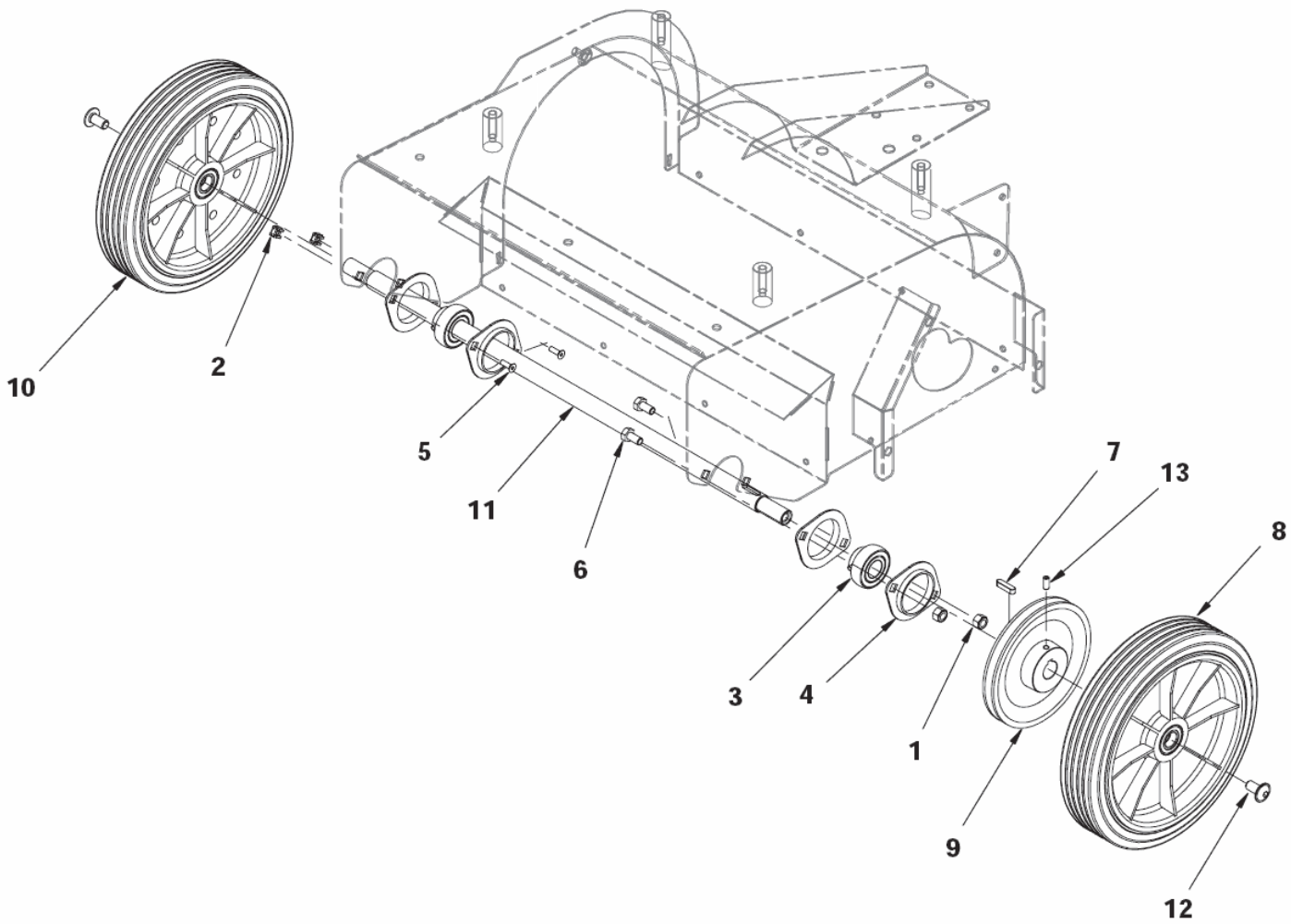
# Drive wheel assy

FLOORTEC 550P

09-09-2014

Part List ID  
550P04

9



# Drive wheel assy

## FLOORTEC 550P

09-09-2014

Part List ID  
550P04

10

Pos	Part no.	Qty	Description
1	33005607	2	NUT SELF L. M8 UNI7474
2	145 0497 000	2	Cage nut M5 Zn
3	145 1123 000	2	Ball bearing YAT204
4	145 8543 000	2	Support PFT 47
5	33004563	2	SCREW M5X16 UNI5933
6	33003993	2	SCREW TE 8X16
7	145 9899 000	1	KEY 6X6X25
8	146 0513 000	1	Right wheel complete
9	146 0517 000	1	PULLEY D.140
10	146 0518 000	1	Left wheel complete
11	146 0533 000	1	SHAFT
12	146 0582 000	2	Screw M 10x 20
13	146 0640 000	1	SCREW GRUB M6X14 UNI5929

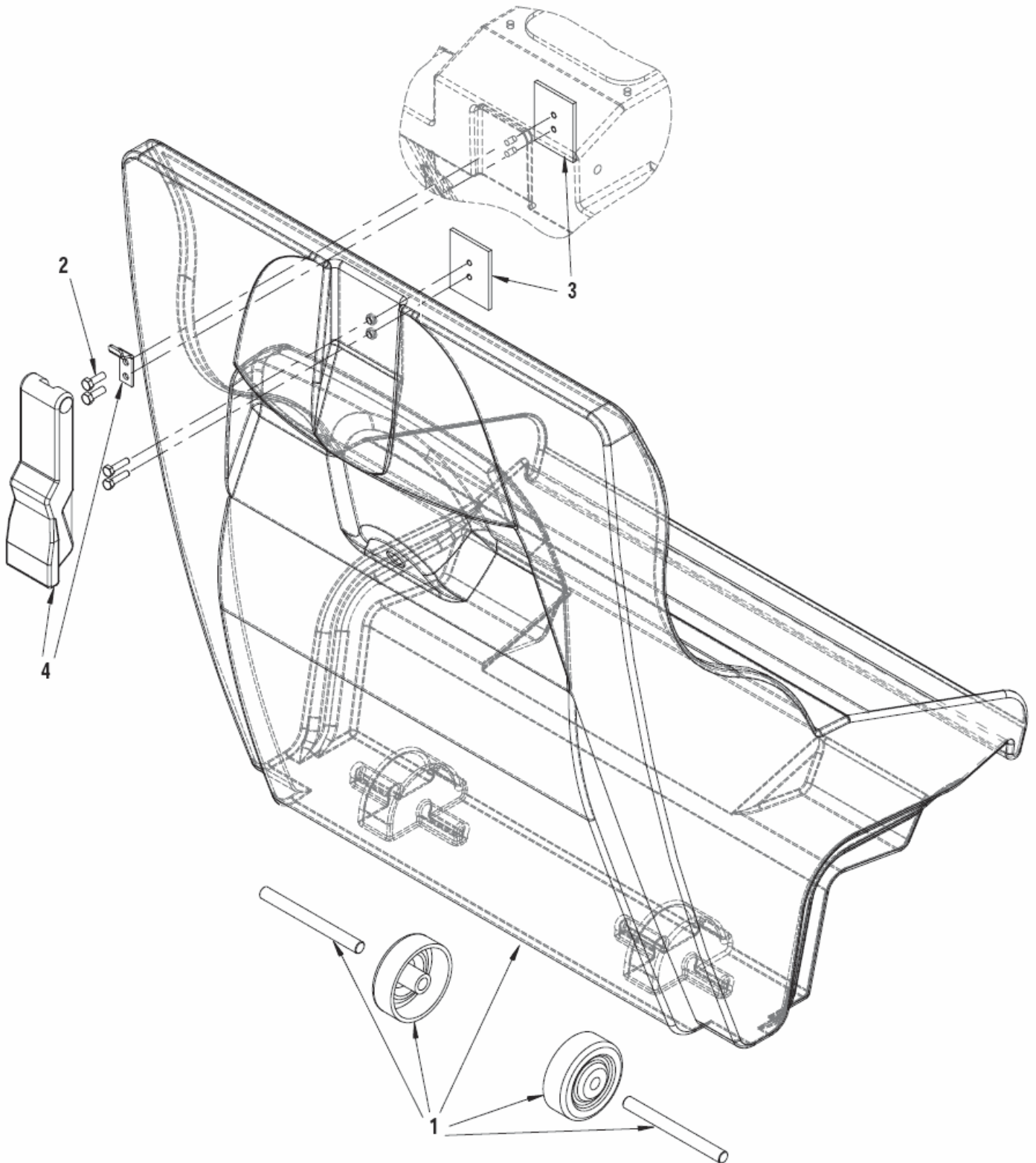
# Hopper system

FLOORTEC 550P

09-09-2014

Part List ID  
550P05

11



# Hopper system

## FLOORTEC 550P

09-09-2014

Part List ID  
550P05

12

Pos	Part no.	Qty	Description
1	146 2322 000	1	CONTAINER WASTE ROTOMOLDED
2	33003963	4	SCREW M5X20 UNI5739
3	146 0562 000	2	PLATE
4	146 0520 000	1	Hook Rubber

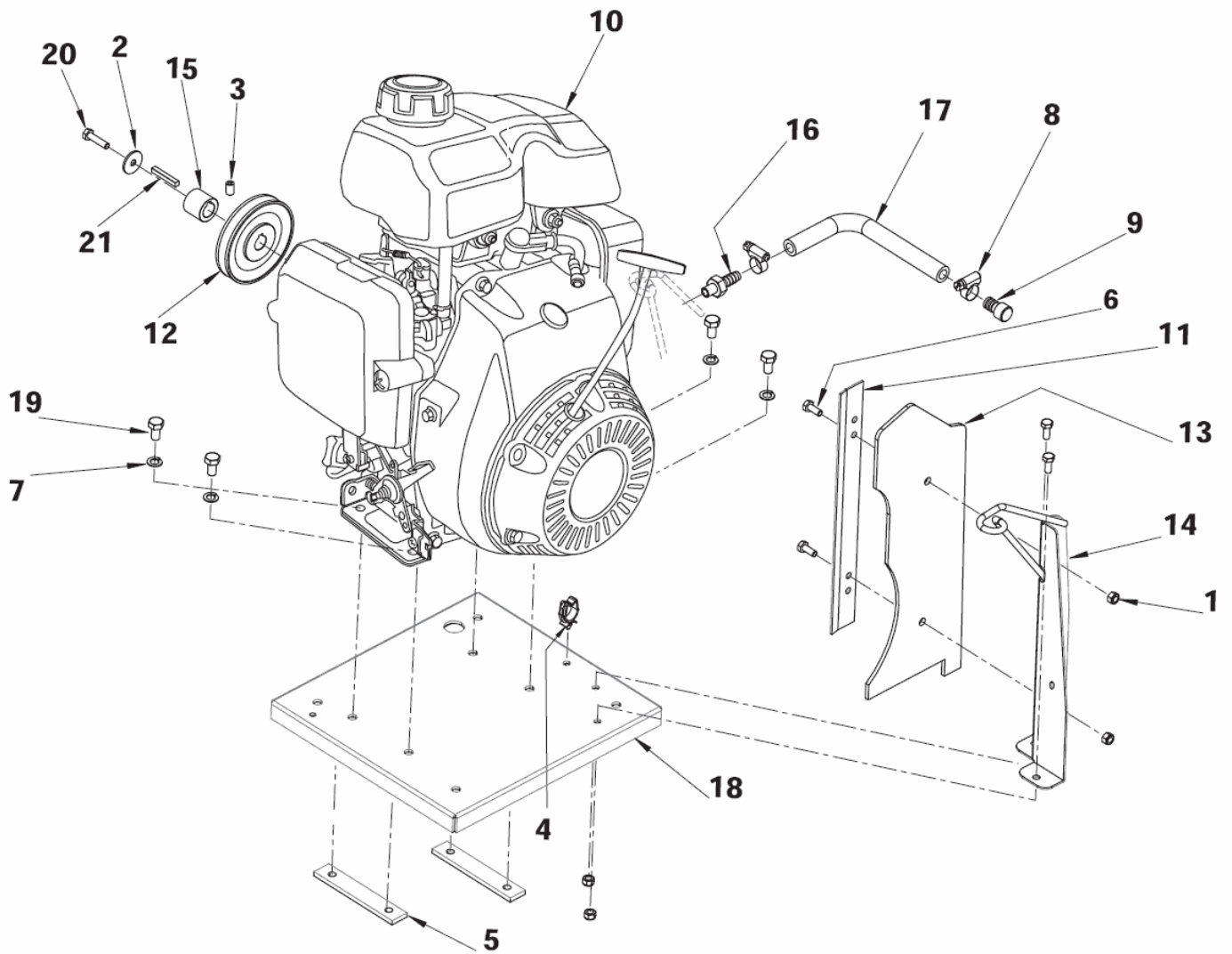
# Engine assy

FLOORTEC 550P

09-09-2014

Part List ID  
550P06

13



# Engine assy

## FLOORTEC 550P

09-09-2014

Part List ID  
550P06

14

Pos	Part no.	Qty	Description	
0	146 0822 000	1	PLUG,SPARK	NOT SHOWN
0	146 0823 000	1	FILTER,AIR	NOT SHOWN
0	146 0824 000	1	PRE-FILTER AIR	NOT SHOWN
1	33005604	4	NUT SELF L. M6 UNI7474	
2	145 0493 000	1	Plane washer 6x24 INOX	
3	145 1228 000	1	dowel M 6x10	
4	146 0987 000	1	TIE CABLE ARROWHEAD	
5	145 1293 000	2	Plate	
6	33003974	4	SCREW M6X16 UNI5739	
7	33005842	4	WASHER M8 UNI1751B	
8	145 8582 000	2	Clamp 8/ 9-16	
9	145 9220 000	1	Cap d.10-17	
10	146 0831 000	1	ENGINE PETROL KIT	
11	146 2331 000	1	PLATE SIDE SKIRT	
12	146 0828 000	1	PULLEY D.85	
13	146 0684 000	1	PANEL RUBBER	
14	146 0685 000	1	SUPPORT	
15	146 0829 000	1	SPACER	
16	146 0691 000	1	HOLDER RUBBER M10x1.25	
17	146 0692 000	1	HOSE OIL DRAIN L.250MM PKD	
18	146 2138 000	1	PLATE.ENGINE SUPPORT	
19	146 0700 000	4	SCREW M8X14 UNI5739	
20	33003975	1	SCREW M6X20 UNI5739	
21	146 0830 000	1	KEY 5X5X36 UNI6604A	

# Transmission assy

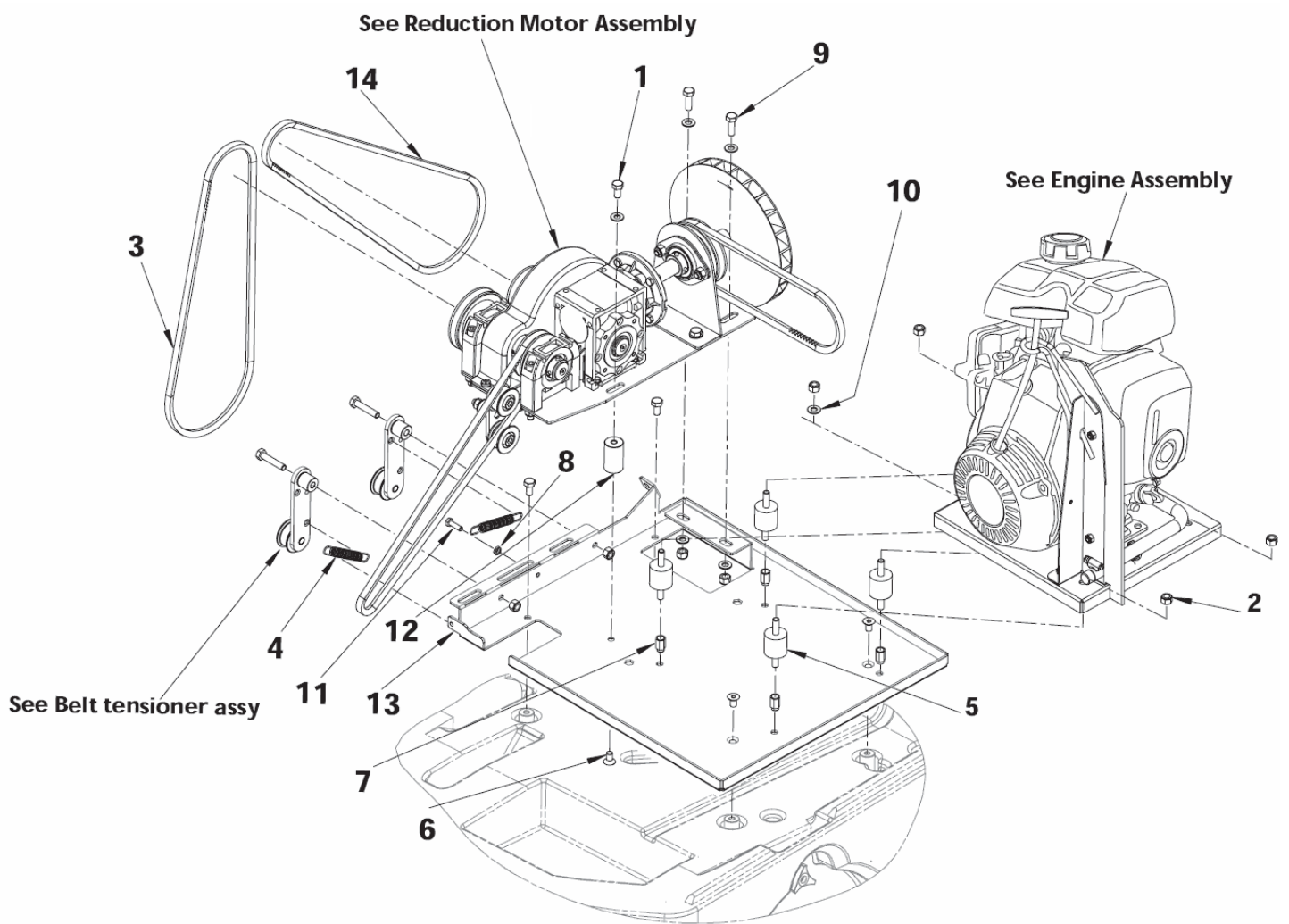
FLOORTEC 550P

09-09-2014

Part List ID

550P07

15



# Transmission assy

FLOORTEC 550P

09-09-2014

Part List ID  
550P07

16

Pos	Part no.	Qty	Description
1	L08274300	3	Screw hex
2	33005607	6	NUT SELF L. M8 UNI7474
3	146 0150 00	1	Belt
4	145 0274 000	2	Belt stretcher lever
5	146 1318 000	4	VIBRATION-DAMPING M8 45SH
6	145 4487 000	3	SCREW M8X15 UNI5933
7	145 6133 000	4	INSERT M8
8	33005531	1	NUT HEX M6 UNI5589
9	33005445	2	SCREW M8X25 UNI5739 GALVANISED
10	33005915	6	WASHER M8 UNI6592
11	33003975	1	SCREW M6X20 UNI5739
12	146 0515 000	1	SPACER
13	146 0536 000	1	PLATE
14	146 0767 000	1	Belt



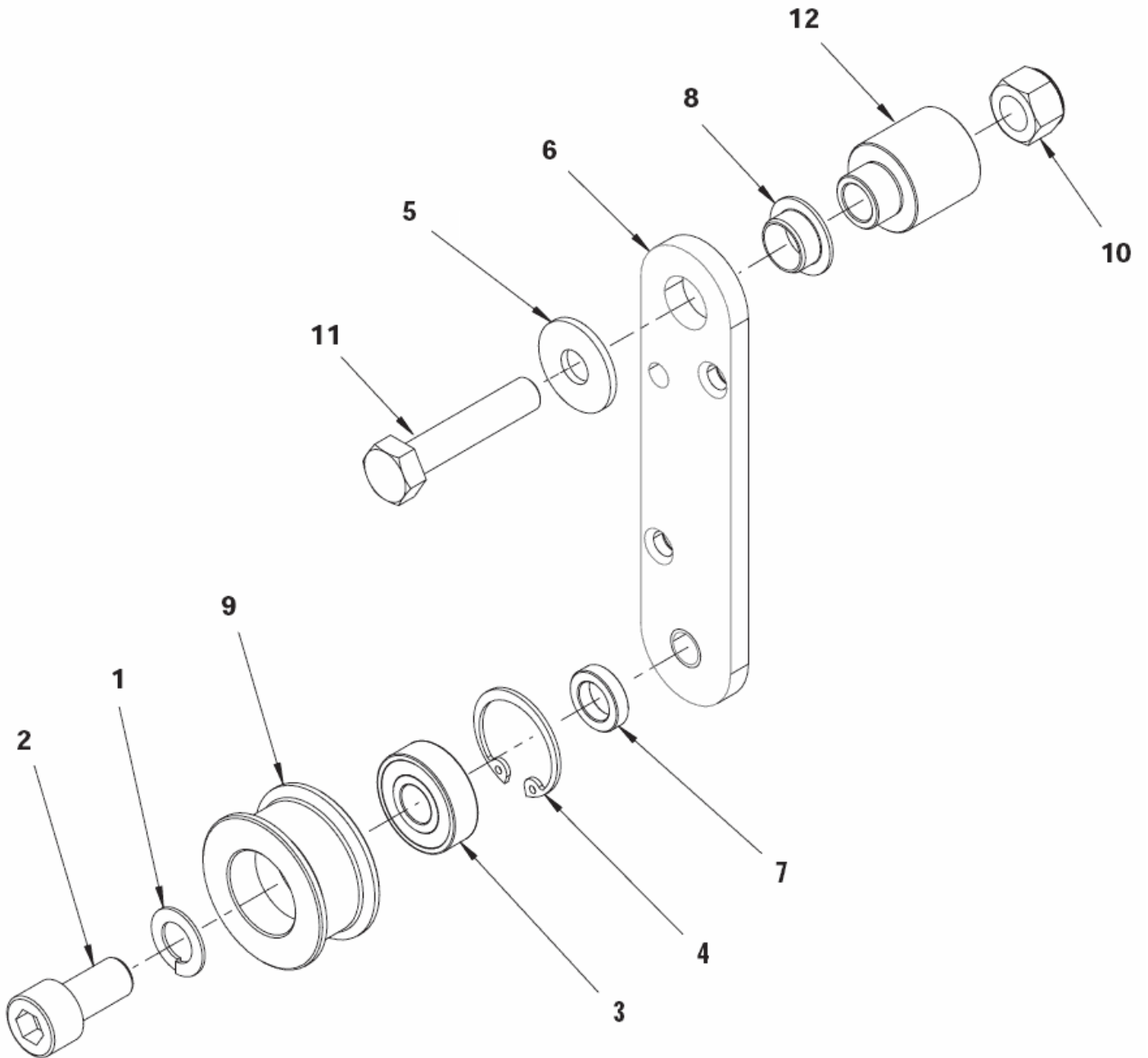
# Belt tensioner system

FLOORTEC 550P

09-09-2014

Part List ID  
550P08

17



# Belt tensioner system

FLOORTEC 550P

09-09-2014

Part List ID  
550P08

18

Pos	Part no.	Qty	Description
1	33005843	1	WASHER M10 UNI1751B
2	145 5742 000	1	SCREW
3	145 9186 000	1	Ball bearing 6000 2RS
4	33006156	1	RING D 26 UNI7437
5	L08300000	1	Washer
6	146 0547 000	1	ARM BELT TENSIONER
7	146 0548 000	1	SPACER 10.1X16X4
8	146 0549 000	1	BEARING,PLASTIC W/ FLANGE
9	146 0583 000	1	ROLLER BELT TENSIONER
10	33005607	1	NUT SELF L. M8 UNI7474
11	33003998	1	SCREW M8X40 UNI5739
12	146 0550 000	1	BUSHING

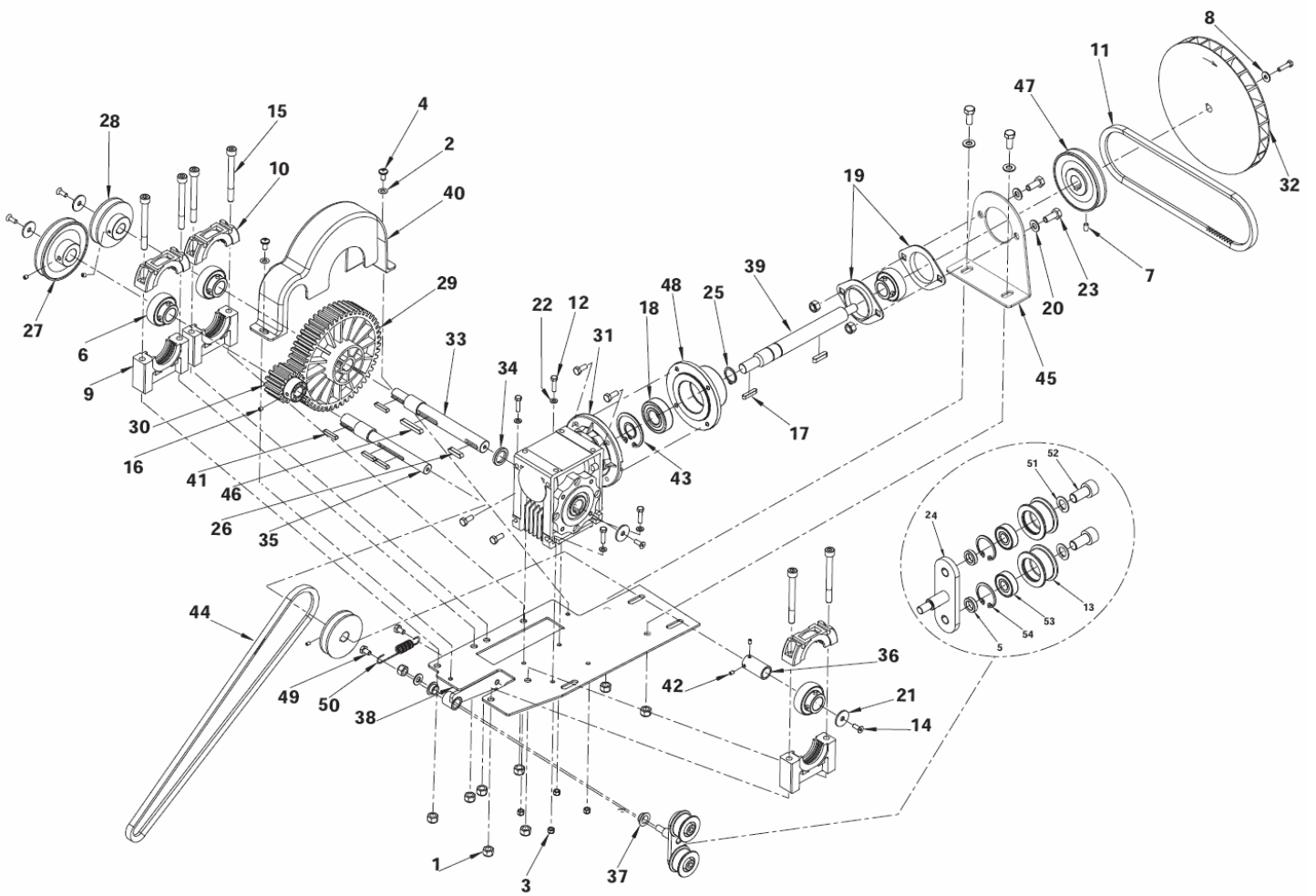
# Motor reduction assy

FLOORTEC 550P

09-09-2014

Part List ID  
550P09

19



# Motor reduction assy

FLOORTEC 550P

09-09-2014

Part List ID  
550P09

20

Pos	Part no.	Qty	Description
1	33005607	1	NUT SELF L. M8 UNI7474
2	33005915	1	WASHER M8 UNI6592
3	33005603	1	NUT SELF L. M5 UNI7474
4	L08603706	1	SCREW CYL HD M6X12
5	146 0548 000	1	SPACER 10.1X16X4
6	145 1123 000	1	Ball bearing YAT204
7	145 1228 000	1	dowel M 6x10
8	145 1261 000	1	plain washer 5 x 15 zn
9	145 1976 000	1	Support
10	145 1977 000	1	Support
11	145 3853 000	1	BELT SPZX 710
12	33003963	1	SCREW M5X20 UNI5739
13	146 0583 000	1	ROLLER BELT TENSIONER
14	33004562	1	SCREW M5X14 UNI5933
15	145 5741 000	1	SCREW
16	145 5913 000	1	DOWEL 5X6
17	145 8024 000	1	Key 5x 5x25 (min 10 box)
18	L08183900	1	Ball bearing
19	145 8543 000	1	Support PFT 47
20	33005915	1	WASHER M8 UNI6592
21	145 9129 000	1	Washer 6x24 (min 10 box)
22	33005912	1	WASHER 5M UNI6592
23	33005444	1	SCREW M8X20 UNI5739 GALVANIZED
24	146 1137 000	1	ARM BELT TENSIONER
25	33006059	1	RING
26	145 9899 000	1	KEY 6X 6X25
27	146 0514 000	1	PULLEY D.85
28	146 0516 000	1	PULLEY D.65
29	146 0523 000	1	GEAR
30	146 0524 000	1	GEAR
31	1463248000	1	REDUCTION GEAR COMPLETE 15 1
32	146 0537 000	1	Fan
33	146 0540 000	1	SHAFT TRANSMISSION
34	146 0541 000	1	BUSHING
35	146 0542 000	1	SHAFT MAIN BROOM
36	146 0546 000	1	SPACER
37	146 0549 000	1	BEARING,PLASTIC W/ FLANGE
38	146 0563 000	1	PLATE
39	146 1176 000	1	SHAFT REDUCTIONGEAR FAN
40	146 0605 000	1	COVER
41	146 0619 000	1	KEY 3/16X3/16X1
42	146 0621 000	1	SCREW GRUB M4X 6 UNI5929
43	33006176	1	SEEGER J47

# Motor reduction assy

## FLOORTEC 550P

09-09-2014

Part List ID  
550P09

21

Pos	Part no.	Qty	Description
44	146 0701 000	1	BELT
45	146 0711 000	1	SUPPORT
46	146 0769 000	1	Pin 6x6x40
47	146 0780 000	1	PULLEY
48	146 1175 000	1	FLANGE
49	146 1453 000	1	SCREW M6X10 UNI5739
50	145 0262 000	1	Spring
51	33005843	1	WASHER M10 UNI1751B
52	145 5742 000	1	SCREW
53	145 9186 000	1	Ball bearing 6000 2RS
54	33006156	1	RING D 26 UNI7437

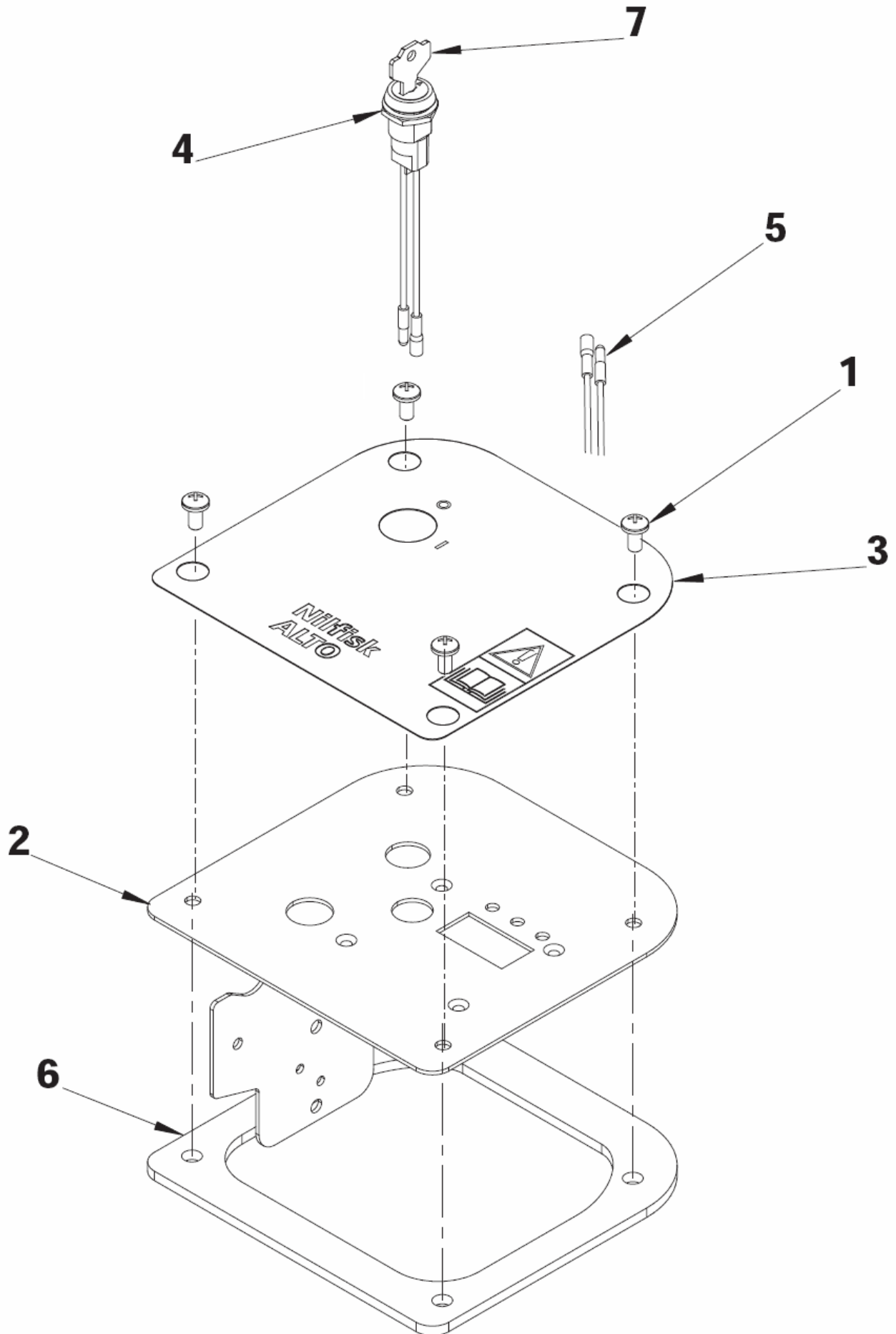
# Control panel

FLOORTEC 550P

09-09-2014

Part List ID  
550P10

22



# Control panel

FLOORTEC 550P

09-09-2014

Part List ID 550P10

23

Pos	Part no.	Qty	Description
1	L08603706	4	SCREW CYL HD M6X12
2	146 0576 000	1	PANEL CONTROL
3	146 2333 000	1	DECAL CONTROL PANEL
4	146 0762 000	1	SWITCH KEY
5	146 0706 000	1	HARNESS MACHINE SW700S P
6	146 0697 000	1	GASKET
7	146 2302 000	1	PARTS LIST FLOORTEC 580P

# Dust control system

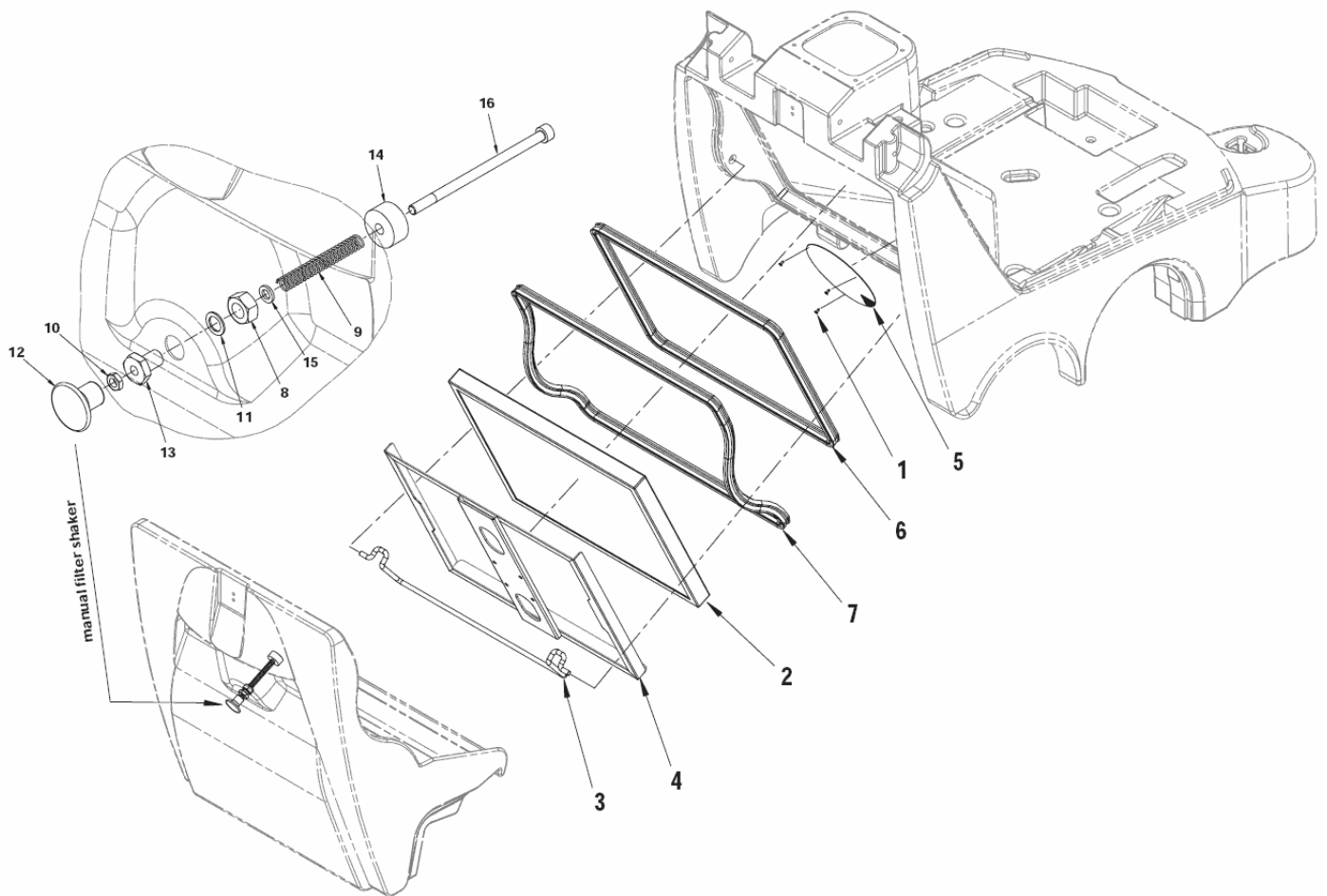
FLOORTEC 550P

09-09-2014

Part List ID

550P11

24





# Dust control system

## FLOORTEC 550P

09-09-2014

Part List ID  
550P11

25

Pos	Part no.	Qty	Description	
0	146 0782 000	1	PRE-FILTER	OPTIONAL NOT SHOWN
1	146 0669 000	3	SCREW 4X12	
2	145 4746 000	1	POLYESTER FILTER BIA C APPROVED	OPTIONAL
2	145 4806 000	1	PAPER FILTER	
2	146 0368 000	1	POLYESTER FILTER ANTISTATIC	OPTIONAL
3	146 0573 000	1	HOOK FILTER	
4	146 0574 000	1	Frame filter	
5	146 0607 000	1	PROTECTION FAN	
6	146 0629 000	1	GASKET	
7	146 0630 000	1	GASKET L1800	
8	33005505	1	NUT HEX M10 UNI5588	
9	145 1935 000	1	SPRING	
10	33005531	1	NUT HEX M6 UNI5589	
11	33005869	1	WASHER M10 UNI8842A	
12	145 4802 000	1	KNOB M6	
13	145 4928 000	1	BUSHING FILTER SHAKER	
14	145 5020 000	1	MASS FILTER SHAKER	
15	33005913	1	WASHER M6 UNI6592	
16	146 0636 000	1	SCREW M6X110 UNI5931	

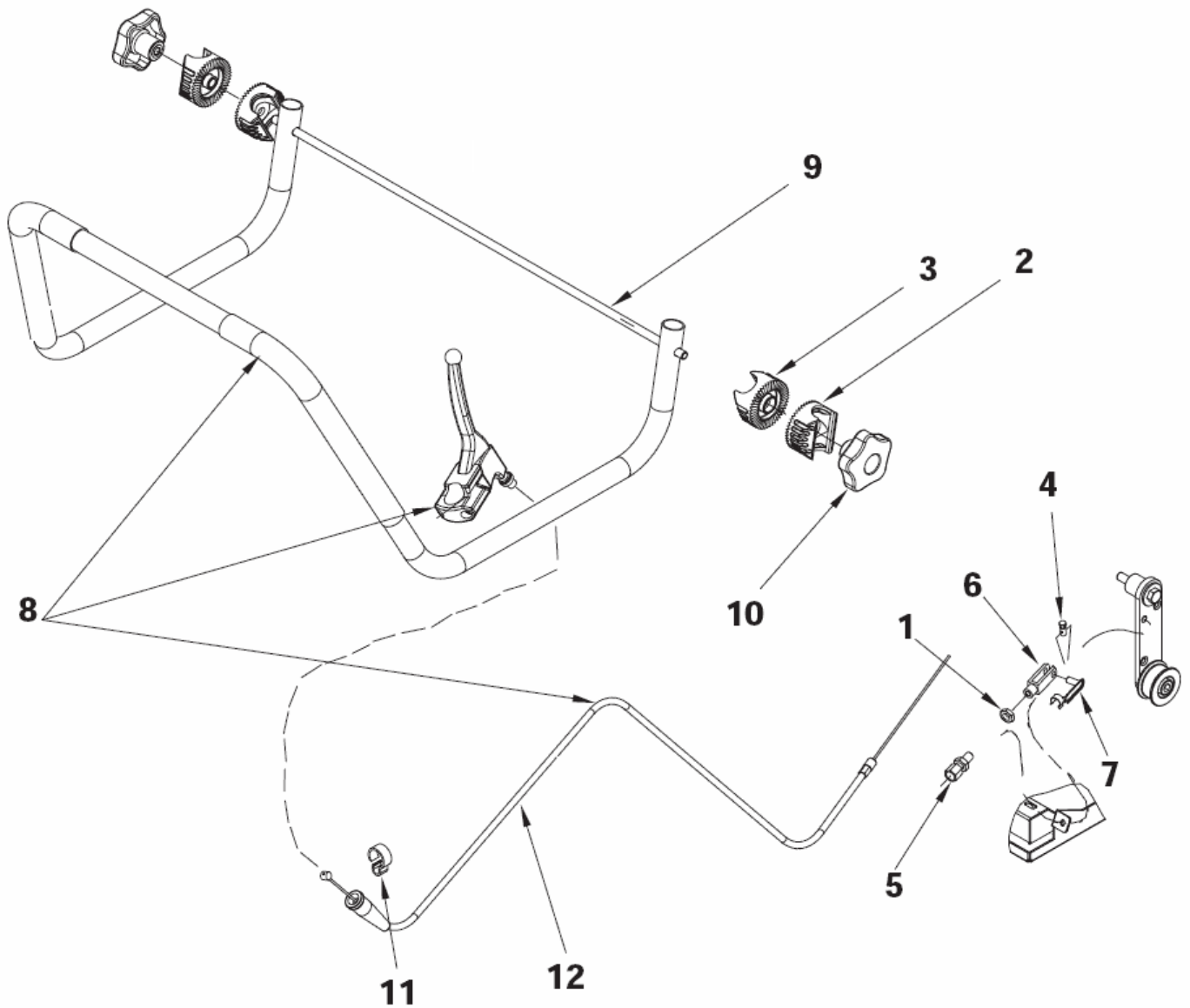
# Handle system

FLOORTEC 550P

09-09-2014

Part List ID  
550P12

26



# Handle system

## FLOORTEC 550P

09-09-2014

Part List ID  
550P12

27

Pos	Part no.	Qty	Description
1	33005533	1	NUT HEX M8 UNI5589
2	56264118	2	RATCHET, HANDLE ADJ.
3	56264123	2	Ratchet Handle Adj
4	145 8110 000	1	Clamp d.6
5	145 9283 000	1	Screw M8x35
6	145 9409 000	1	Fork M 6
7	145 9410 000	1	Circlip M 6
8	146 2317 000	1	HANDLE COMPLETE
9	146 0534 000	1	SHAFT. HANDLE
10	146 1852 000	2	KNOB M8
11	146 0763 000	1	FIXING CABLE
12	146 2309 000	1	CABLE,FLAP RAISING DEVICE

# Hub assembly left & right

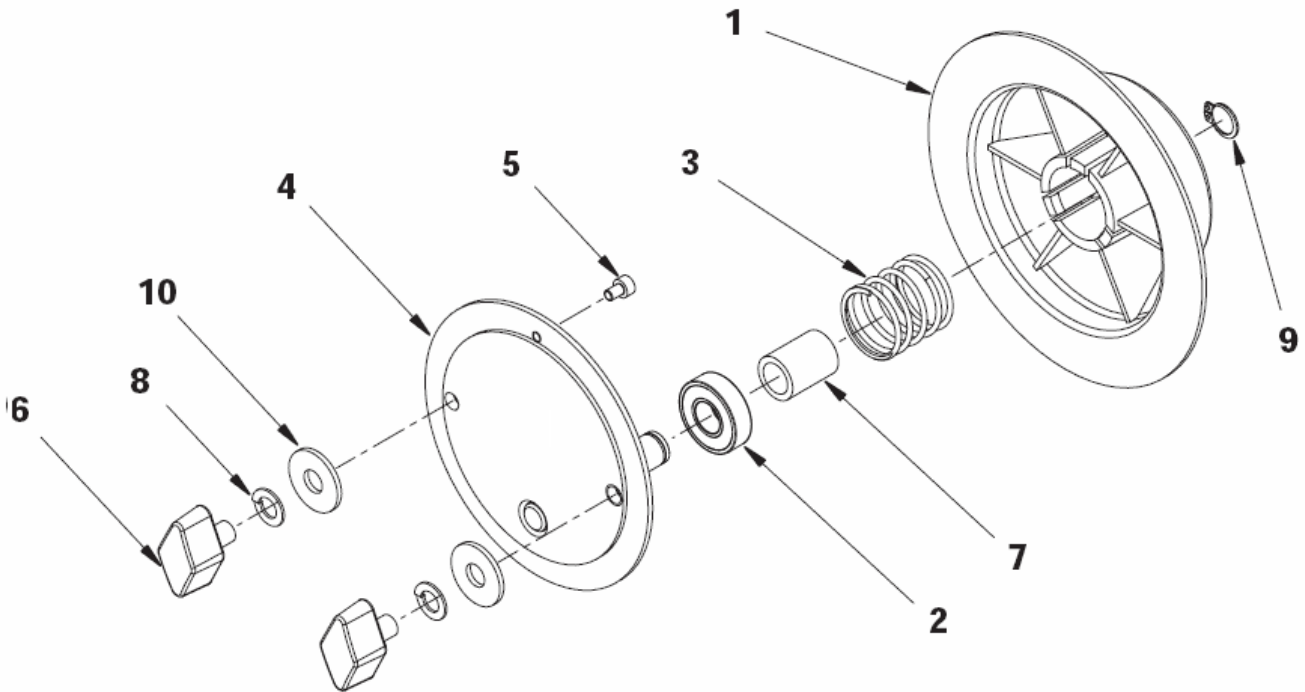
FLOORTEC 550P

09-09-2014

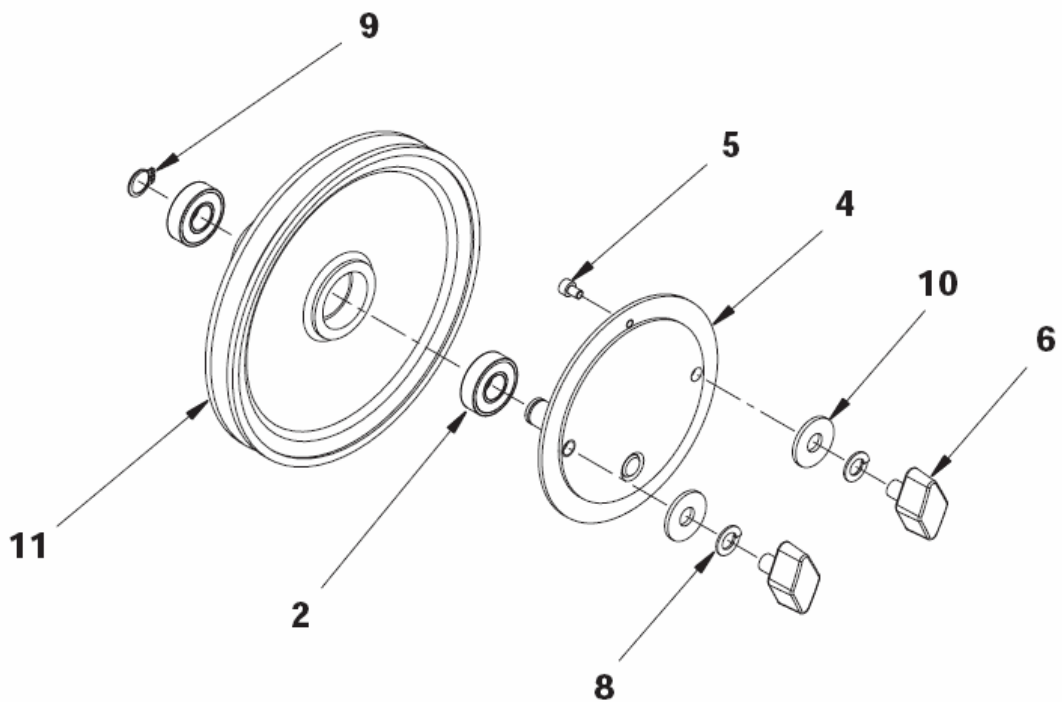
Part List ID  
550P13

28

## Left hub assembly



## Right hub assembly



# Hub assembly left & right

FLOORTEC 550P

09-09-2014

Part List ID  
550P13

29

Pos	Part no.	Qty	Description
1	145 0269 000	1	Hub
2	145 0270 000	3	Ball bearing 6001 2RS
3	145 0271 000	1	Spring
4	145 0272 000	2	Pin
5	33004305	2	SCREW M4x6 UNI5931
6	145 1211 000	4	knob M 8x 12
7	145 2663 000	1	Spacer d.12xd.17x22,5
8	33005842	4	WASHER M8 UNI1751B
9	33006051	2	RING D 12 UNI7435
10	L08300000	4	Washer
11	145 2617 000	1	Pulley 850 S

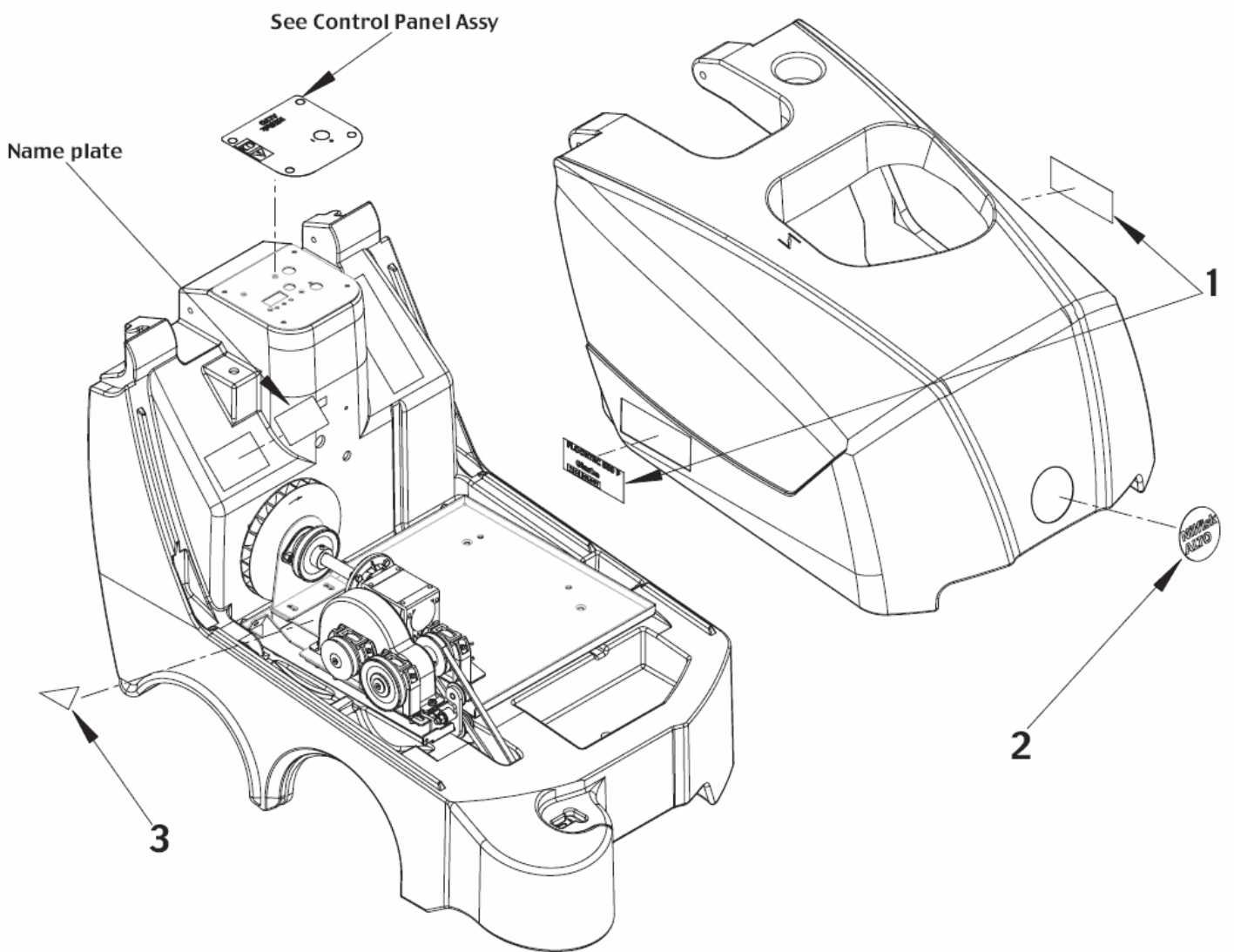
# Decals

FLOORTEC 550P

09-09-2014

Part List ID  
550P14

30



# Decals

FLOORTEC 550P

09-09-2014

Part List ID  
550P14

31

Pos	Part no.	Qty	Description
1	1463822000	2	DECAL FLOORTEC 550 P
2	1463818000	1	DECAL NILFISK-ALTO ROUND
3	145 1431 000	1	DECAL DANGER MOVING PARTS

**Wear parts**  
FLOORTEC 550P

09-09-2014

Part List ID  
550P15

32

No Drawing For Part List



# Wear parts

## FLOORTEC 550P

09-09-2014

Part List ID  
550P15

33

Pos	Part no.	Qty	Description	
1	145 4806 000	1	PAPER FILTER	WEAR PARTS
2	146 0554 000	1	SKIRT FRONT/REAR STANDARD	WEAR PARTS
3	146 0555 000	2	SKIRT SIDE RIGHT/LEFT STANDARD SBR BLACK RUBBER	WEAR PARTS
4	146 0628 000	1	SKIRT FRONT SOFT	WEAR PARTS
5	145 4792 000	1	CENTRAL BRUSH	WEAR PARTS
6	145 1899 000	1	SIDE BRUSH 180X420 PPL	WEAR PARTS
8	145 0274 000	2	Belt stretcher lever	ORDINARY MAINTENANCE
9	146 0150 000	1	Belt	ORDINARY MAINTENANCE
10	146 0767 000	1	Belt	ORDINARY MAINTENANCE
11	146 0402 000	1	BRUSH HOLDING FLANGE	ORDINARY MAINTENANCE
13	146 0513 000	1	Right wheel complete	EXTRAORDINARY
14	146 0518 000	1	Left wheel complete	EXTRAORDINARY
15	146 2309 000	1	CABLE,FLAP RAISING DEVICE	EXTRAORDINARY
16	145 2324 000	1	Right gear	EXTRAORDINARY
17	146 0680 000	1	SWITCH,HOOD SAFETY	EXTRAORDINARY
18	145 0270 000	1	Ball bearing 6001 2RS	EXTRAORDINARY
19	145 1123 000	1	Ball bearing YAT204	EXTRAORDINARY
20	145 9186 000	1	Ball bearing 6000 2RS	EXTRAORDINARY
21	146 0629 000	1	GASKET	EXTRAORDINARY
22	146 0630 000	1	GASKET L1800	EXTRAORDINARY

# Options

FLOORTEC 550P

09-09-2014

Part List ID  
550P16

34

No Drawing For Part List

# Options

## FLOORTEC 550P

09-09-2014

Part List ID  
550P16

35

Pos	Part no.	Qty	Description
0	145 4746 000	1	POLYESTER FILTER BIA C APPROVED
0	145 4959 000	1	SIDE BRUSH STEEL MIX
0	145 4973 000	1	MAIN BRUSH UNION MIX
0	145 4974 000	1	MAIN BRUSH NATURAL FIBRE
0	145 4976 000	1	SIDE BRUSH NATURAL FIBRE
0	146 0368 000	1	POLYESTER FILTER ANTISTATIC
0	146 0569 000	1	WHEEL WITH BRAKE
0	146 0586 000	1	SKIRT FRONT NON MARKING
0	146 0587 000	1	SKIRT SIDE NON MARKING
0	146 0678 000	1	BRUSH SIDE 180X347 NYLON
0	146 0782 000	1	PRE-FILTER