

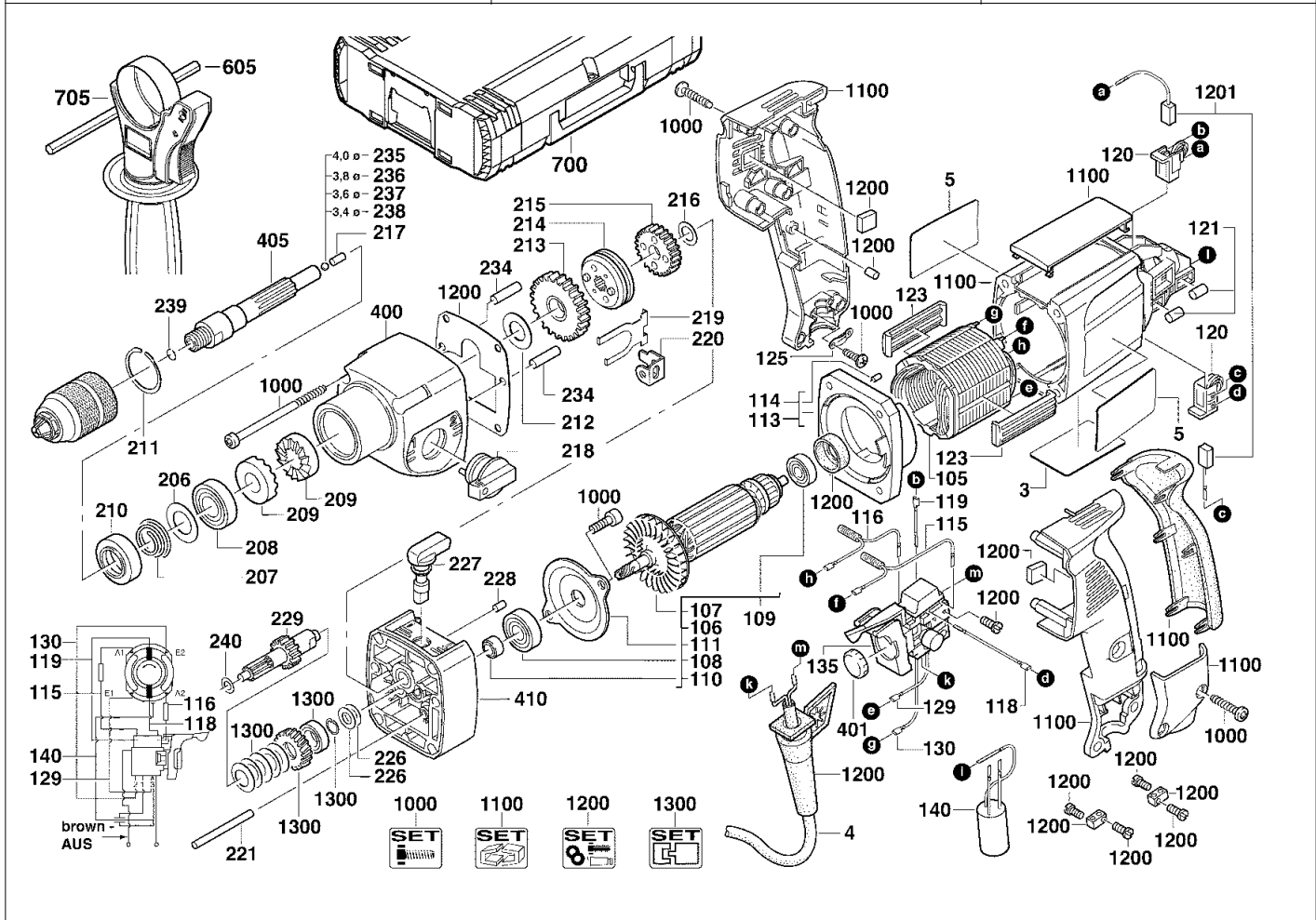
A & M Electric Tools

Percussion Drills

Ind	Product No.	Type	Voltage	Country
a	4000380463	PD2E24RS	220-240V	IN2
b	4000390201	PD2E24RS	240V	AUS

Ind	Product No.	Type	Voltage	Country

Milwaukee			
PD2E 24 RS			
Exp.view No.	Version	Date	Page
4926 3804 65	0004	11.02.05	1/2



Pos	Index	Quanti	Article No.	Designation
0003	a.....	1	4931380469	RATING PLATE
0003	.b.....	1	4931390214	RATING PLATE
0004	a.....	1	4931622896	CONNECTION CABLE
0004	.b.....	1	4931624340	CONNECTION CABLE
0005	ab.....	1	4931378806	TYPE PLATE
0105	ab.....	1	4931332144	ELECTRIC FIELD
0106	ab.....	1	4931364658	ARMATURE
0107	ab.....	1	4931342793	FAN
0108	ab.....	1	4931368037	GROOVED BALL BEAR.
0109	ab.....	1	4931901253	BALL BEARING
0110	ab.....	1	4931302748	SLEEVE
0111	ab.....	1	4931267585	BEARING COVER
0113	ab.....	1	4931380470	AIR DEFLECTOR RING
0114	ab.....	4	4931332524	HOLDING-DOWN DEVIC
0115	ab.....	1	4931623352	WIRE
0116	ab.....	1	4931623125	WIRE
0118	ab.....	1	4931623125	WIRE
0119	ab.....	1	4931623126	WIRE
0120	ab.....	2	4931382268	BRUSH HOLDER
0121	ab.....	4	4931623123	ROLL
0123	ab.....	2	4931326971	CENTERING LEDGE
0125	ab.....	1	4931256500	CABLE COLLAR

Pos	Index	Quanti	Article No.	Designation
0129	ab.....	1	4931623127	WIRE
0130	ab.....	1	4931623196	WIRE
0135	ab.....	1	4931382393	SWITCH BOARD
0140	ab.....	1	4931311062	CAPACITOR
0206	ab.....	1	4931621809	DISC
0207	ab.....	1	4931267406	PRESSURE SPRING
0208	ab.....	1	4931891058	BALL BEARING
0209	ab.....	2	4931267571	PERCUSSION SLEEVE
0210	ab.....	1	4931267522	SEAL RING
0211	ab.....	1	4931890311	LOCKING RING
0212	ab.....	1	4931621647	DISC
0213	ab.....	1	4931267558	DRILL SPINDLE WHEEL
0214	ab.....	1	4931307130	JUMPER RING
0215	ab.....	1	4931344698	DRILL SPINDLE WHEEL
0216	ab.....	1	4931621679	DISC
0217	ab.....	1	4931805526	PIN
0218	ab.....	1	4931339525	SWITCH LEVER
0219	ab.....	1	4931307118	RETAINING SPRING
0220	ab.....	1	4931267576	SWITCH LEVER
0221	ab.....	1	4931621731	PIN
0226	ab.....	2	4931623164	WASHER
0227	ab.....	1	4931347470	SWITCH LEVER

Repairs/modification and testing of electric power tools are to be carried out by specialists. The safety regulations according to DIN/VDE/CEE/AFNOR and other regulations valid in the different countries are to be observed.

